

www.philips.com/avent

Philips Consumer Lifestyle BV
Tussendiepen 4, 9206 AD Drachten, Netherlands

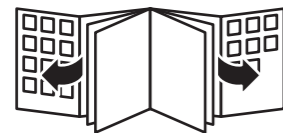
Trademarks owned by the Philips Group.
©2016 Koninklijke Philips N.V. All rights reserved

Always here to help you

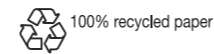
Register your product and get support at
www.philips.com/welcome



SCF870



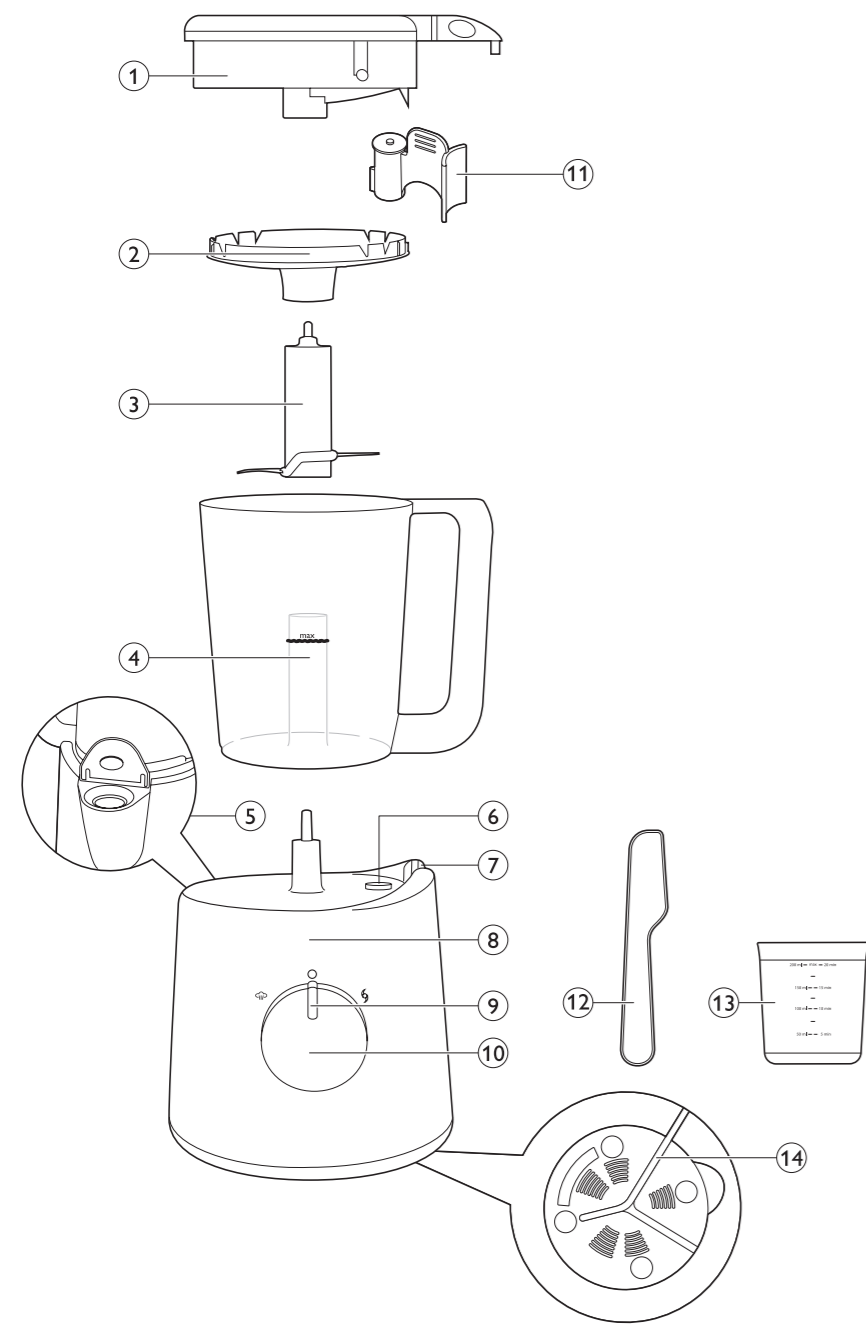
www.philips.com



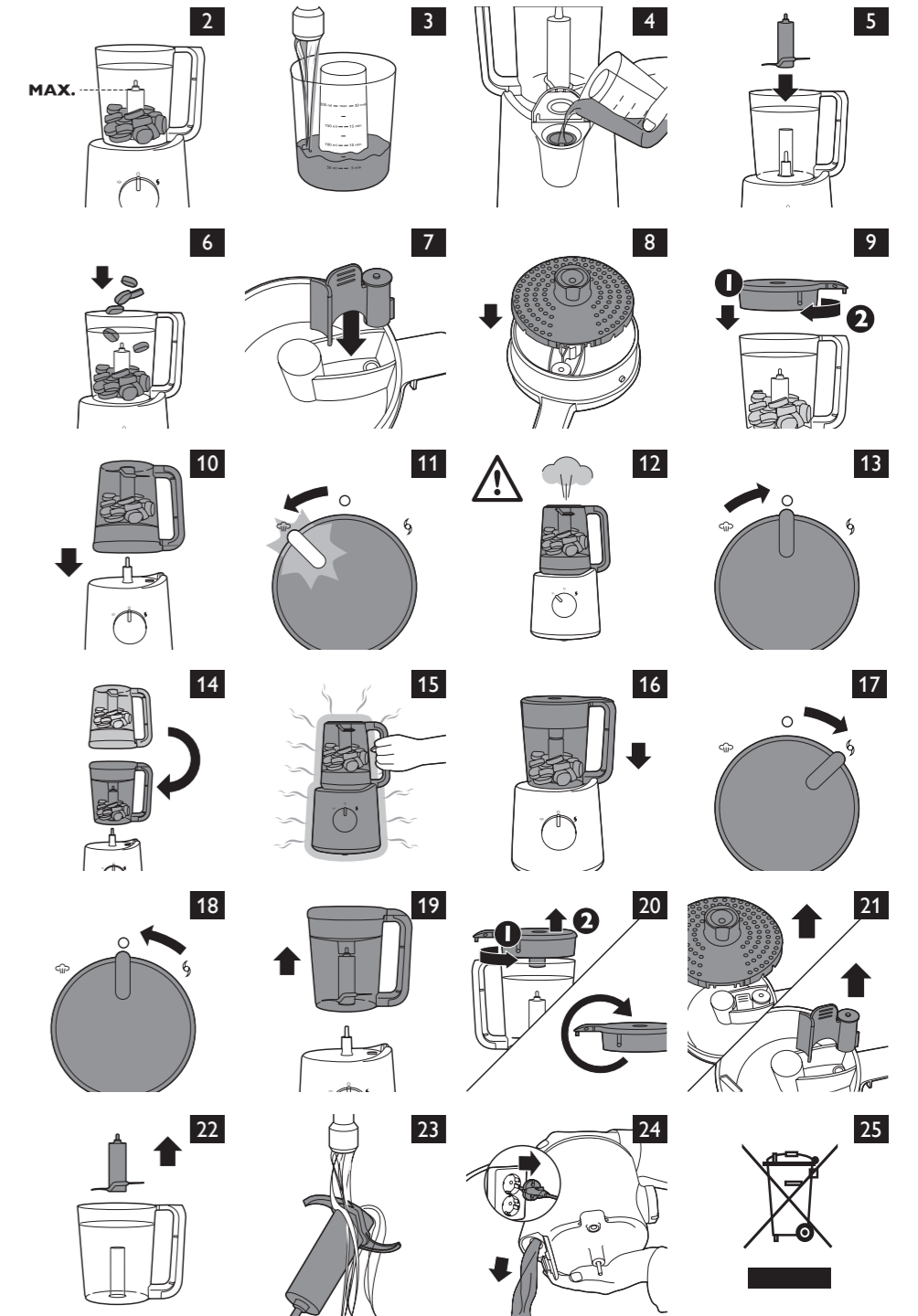
4203.000.6227.9

PHILIPS
AVENT





1



SCF870

ENGLISH	6
ČEŠTINA	19
FRANÇAIS	32
HRVATSKI	47
MAGYAR	60
POLSKI	73
РУССКИЙ	88
SLOVENŠČINA	103
TÜRKÇE	116
УКРАЇНСЬКА	129
ҚАЗАҚША	143
العربية	168

Introduction

Congratulations on your purchase and welcome to Philips Avent! To fully benefit from the support that Philips Avent offers, register your product at www.philips.com/welcome.

This combined steamer and blender is particularly suitable for preparing small amounts of baby food. The combined steamer and blender supports all parents in preparing fresh meals for their babies with a simple steaming and blending function combined in one appliance.

General description (Fig. 1)

- 1 Lid with steam hole
- 2 Sieve
- 3 Blade unit
- 4 Jar with blade unit holder
- 5 Filling opening of water tank
- 6 Steam outlet on motor unit
- 7 Locking area for handle
- 8 Motor unit
- 9 Steaming light
- 10 Control knob
- 11 Valve
- 12 Spatula
- 13 Measuring cup
- 14 Bottom of the appliance with mains cord

Important

Read this user manual carefully before you use the appliance and save it for future reference.

Danger

- Never immerse the motor unit in water or any other liquid, nor rinse it under the tap.

Warning

- Check if the voltage indicated on the appliance corresponds to the local mains voltage before you connect the appliance.
- Do not use the appliance if the plug, the mains cord or the appliance itself is damaged.
- If the mains cord is damaged, you must have it replaced by Philips, a service centre authorised by Philips or similarly qualified persons in order to avoid a hazard.
- This appliance can be used by persons with reduced physical, sensory or mental capabilities or lack of experience and knowledge if they have been given supervision or instruction concerning use of the appliance in a safe way and if they understand the hazards involved.
- This appliance shall not be used by children. Keep the appliance and its cord out of the reach of children.
- Children shall not play with the appliance.

- Do not touch the cutting edges of the blade unit when the appliance is plugged in and during cleaning. The cutting edges are very sharp.
- If the blade unit gets stuck, unplug the appliance before you remove the ingredients that block the blade unit.
- The appliance becomes very hot during steaming and may cause burns if touched. Only lift the jar by its handle.
- Beware of hot steam that comes out of the jar during steaming and when you remove its lid.
- Beware of hot steam that comes out of the filling opening of the water tank when you open its lid.
- When the steaming process is finished, hot steam continues to come out of the steam outlet on the motor unit and the steam hole in the lid of the jar for some time. Be careful when you lift the jar off the motor unit.
- If the appliance is used improperly, hot steam could come out of the filling opening. Consult chapter 'Troubleshooting' in order to avoid or to solve this.
- Never let the appliance operate unattended.
- Do not disassemble the motor unit for maintenance or cleaning purposes. Take it to an authorised Philips service centre for repair.

Caution

- Never use any accessories or parts from other manufacturers or that Philips does not specifically recommend. If you use such accessories or parts, your guarantee becomes invalid.
- Do not place the appliance on or near an operating or still hot stove or cooker.
- Always unplug the appliance and let it cool down before you clean it.
- Never use the jar or any other part of the appliance in a microwave, as the metal parts of the jar handle and blade unit are not suitable for this use.
- Never sterilise the jar or any other part of the appliance in a steriliser or in a microwave, as the metal parts of the jar handle and blade unit are not suitable for this use.
- This appliance is intended for household use only. If the appliance is used improperly or for professional or semi-professional purposes or if it is not used according to the instructions in the user manual, the guarantee becomes invalid and Philips refuses any liability for damage caused.
- Be careful when you pour hot liquid into the beaker, as hot liquid and steam may be ejected and cause scalding.

8 ENGLISH

- Let the appliance cool down for 10 minutes before you steam another batch of ingredients.
- The appliance is not intended for chopping hard ingredients such as ice cubes and sugar cubes.
- Do not let the appliance blend for more than 30 seconds at a time. If you have not finished blending after 30 seconds, switch off the appliance and wait a few seconds before you continue. If the appliance becomes hot, let it cool down for a few minutes before you continue.
- Place the appliance on a stable, horizontal and level surface. Make sure there is enough free space around it to prevent damage to e.g. cabinets or other objects, as the appliance emits hot steam during use.
- Do not use the appliance if it has fallen or is damaged in any way. Take it to an authorised Philips service centre for repair.
- Never put water, other liquids or blended food in the jar for steaming to avoid damage to the appliance.
- Never use the steaming function without water.
- Make sure that you do not overfill the water tank (max. 200ml). Do not exceed the maximum level indicated on the measuring cup.
- When you steam ingredients, make sure that you do not overfill the jar. Make sure that the top edge of the green blade unit is not covered with food (Fig. 2).
- When you blend liquids, do not exceed the maximum level indicated on the jar (450ml).
- Do not insert any object into the filling opening or the steam outlet.
- Never refill the water tank during the steaming process, as hot water and steam may come out of the appliance as a result.
- Always make sure that the lid has cooled down after steaming before you open it to add more ingredients for blending, if necessary.
- Do not connect the appliance to an external switching device such as a timer and do not connect it to a circuit that is regularly switched on and off by the utility. This prevents a hazard that could be caused by inadvertent resetting of the thermal cut-out.
- Always check the temperature of the baby food on the back of your hand before you feed your baby.
- Always check the consistency of the baby food. Make sure there are no chunks in the food.
- When the steaming process (max. 20 minutes) is finished, do not steam or reheat the baby food again.
- Only use the spatula supplied to remove the food from the jar.

- Regular descaling prevents damage to the appliance.
- Switch off the appliance and disconnect from supply before changing accessories or approaching parts that move in use.
- Take care in handling the sharp blades when emptying the jar and during cleaning.
- Always disconnect the device from supply if it's left unattended.
- Cleaning and user maintenance shall not be made by children.
- Noise level: $L_c = 89 \text{ dB(A)}$.

Safety system

The appliance is equipped with a built-in safety lock. The appliance only functions if you have properly assembled all parts on the motor unit. If all parts are assembled correctly, the built-in safety lock will be unlocked.

The appliance is also equipped with overheat protection. Overheating could occur if the time between two steaming processes is too short, if the blending function is used too long or if there are too much ingredients in the jar. If the overheat protection switches off the appliance during use, set the control knob to 0 and let the appliance cool down for a few minutes. After this, you can use the appliance again.

Electromagnetic fields (EMF)

This Philips appliance complies with all applicable standards and regulations regarding exposure to electromagnetic fields.

Before first use

- 1 Remove all packaging material from the appliance.
- 2 Clean all parts except the motor unit (see chapter 'Cleaning and maintenance').

Using the appliance

Always check the temperature of the baby food on the back of your hand before you feed your baby.

Always make sure that the lid has cooled down after steaming before you remove it to add more ingredients for blending, if necessary. Do not exceed the maximum level indicated on the jar.

Empty the water tank before you refill it to start a new steaming process.

Always make sure that the top edge of the green blade unit is not covered with food when you start steaming.

Do not exceed the maximum level indicated on the jar (450ml) when you blend liquids.

This appliance is intended for steaming fresh solid ingredients and then blending them to obtain baby food. See the recipe booklet for some examples. Normally you would first steam the ingredients and then blend them. However, you can also use the appliance for steaming or blending only. When you use the appliance for blending only, skip sections 'Filling the water tank' and 'Steaming' and only follow the instructions in section 'Blending'. After blending, never steam already blended food. Never steam the same batch of ingredients for longer than 20 minutes or more than once.

This appliance is NOT intended for:

- Defrosting food
- Steaming frozen food
- Steaming already blended food
- Steaming the same ingredients for more than 20 minutes
- Cooking rice and pasta
- Blending ingredients first and then steaming them

10 ENGLISH

- Heating up fluids, e.g. soup or water
- Keeping food warm for several hours
- Reheating food

Filling the water tank

- 1** Fill the measuring cup with water up to the required level (Fig. 3).

The measuring cup shows millilitres and the corresponding steaming time in minutes. See the separate recipe booklet for the recommended quantities of the recipes.

Note: Do not exceed the maximum level indicated on the measuring cup (200ml) to make sure that you do not overflow the water tank.

Note: We advise you not to use mineral water, as the minerals contained in this type of water cause scale to build up inside the water tank.

- 2** Pour the water into the filling opening and close the lid (Fig. 4).

Note: Never put anything else than water in the water tank.

Steaming

If certain vegetables and fruits are steamed gently, they are perfect for babies who start to eat solid food. Steaming is the healthiest way of preparing food, as the food retains lots of vitamins and other healthy nutrients.

Note: You can find recipes and the cooking times required for these recipes in the separate recipe booklet. Note that the recipes are related to the age of the child.

Note: Do not steam frozen ingredients because the appliance cannot heat up frozen food to the temperature required for steaming. Always defrost frozen solid ingredients before you steam them in this appliance. Shake off any excess water from the defrosted ingredients before you put them in the jar.

- 1** Put the blade unit on the blade unit holder in the jar (Fig. 5).
- 2** Cut solid ingredients into small pieces (cubes not bigger than 2-3cm) before you put them in the jar.

Note: Do not process a large quantity of solid ingredients at the same time. Process these ingredients in a series of small batches instead.

- 3** Put the ingredients in the jar (Fig. 6).

Note: Do not exceed the top edge of the green blade unit.

Note: Never put water or any other liquid in the jar for steaming, to avoid damage to the appliance.

- 4** Put the valve in the lid (Fig. 7).

Note: Make sure the valve is fixed properly.

- 5** Put the sieve in the lid of the jar ('click') (Fig. 8).

- 6** Place the lid on the jar and turn it clockwise to fix it. The small projections on the lid have to slide into the grooves in the jar. Make sure that the large projection of the lid is placed exactly over the handle of the jar (Fig. 9).

- 7** Place the jar upside down on the motor unit, i.e. with the lid downwards. Make sure that the handle is on the right-hand side and that it is attached properly (Fig. 10).

Note: The appliance does not start steaming if the jar and handle are not in the correct position.

- 8** Turn the control knob to the steaming position.

▶ The steaming light lights up orange to indicate that the appliance is steaming (Fig. 11).

Hot steam or hot water could burn your fingers. Do not touch and never let children touch hot parts and steam, as this may cause scalds (Fig. 12).

- ▶ The steaming time depends on the amount of water you have put in the water tank. See the table in chapter 'Ingredients and steaming times' and the recipe booklet.
 - ▶ When the steaming process is finished, the appliance produces a buzzing sound and the steaming light goes out.
- 9** Set the control knob to the off position. Wait 2 minutes until no more steam comes out of the steam outlet, to avoid scalding by hot steam. (Fig. 13)

Note: If you want to steam another batch of ingredients, let the appliance cool down for 10 minutes before you start steaming again.

- 10** If you want to proceed with blending the steamed food, follow the instructions in section 'Blending after steaming' below.
- 11** Under normal conditions, no water remains in the water tank after steaming. However, in some situations (e.g. in case of scale build-up inside the water tank, interruption of the steaming process or unintended use), some water could remain in the water tank. In this case, empty the water tank completely after use to avoid bacterial growth. To descale the water tank, see chapter 'Cleaning and maintenance'.

Blending after steaming

- 1** Grab the jar handle and lift the jar off the motor unit. Turn the jar around and shake it so that the food falls down onto the blade unit (Fig. 14).

Only touch the jar handle. The lid, bottom and outer surface of the jar are hot (Fig. 15).

- 2** If necessary, remove the lid and add additional ingredients for blending (e.g. water or oil).

Always make sure that the lid of the jar and the lid of the water tank have cooled down after steaming before you open them to add more ingredients to the jar or to remove the remaining water from the water tank.

After you have put liquids in the jar, never put the jar in the steaming position.

- 3** Place the jar upright on the motor unit, i.e. with the lid upwards. Make sure the handle is on the right-hand side and positioned between the two ridges of the locking area (Fig. 16).
- 4** Turn the control knob to the blending position. Hold the knob in this position until the food is properly blended (Fig. 17).

Do not let the appliance blend for more than 30 seconds at a time. If you have not finished blending after 30 seconds, switch off the appliance and wait a few seconds before you continue. If the appliance becomes hot, let it cool down for a few minutes before you continue.

Note: If the ingredients stick to the wall of the jar, switch off the appliance and loosen them with the spatula or add some liquid.

Note: Make sure that the blended baby food has the right consistency (e.g. no lumps) before you serve it.

Note: If the baby food is still too solid, add some fluid (e.g. water) until the baby food is soft and smooth.

- 5** When you have finished blending, simply release the control knob (Fig. 18).
- ▶ The knob automatically returns to the off position.
- 6** Remove the blended food from the jar. If necessary, use the spatula supplied.

Make sure that the baby food is at a safe temperature for your baby.

- 7** Unplug the appliance.

12 ENGLISH

- 8** Under normal conditions, no water remains in the water tank after steaming. However, in some situations (e.g. in case of scale build-up inside the water tank, interruption of the steaming process or unintended use), some water could remain in the water tank. In this case, empty the water tank completely after use to avoid bacterial growth. To descale the water tank, see chapter 'Cleaning and maintenance'.

Blending without steaming

The appliance is intended for:

- pureeing steamed and cooked ingredients for baby food
- blending fluids and fruits for baby drinks

The appliance is not intended for chopping hard ingredients such as ice cubes and sugar cubes.

After you have put liquids in the jar, never put the jar in the steaming position.

Note: When you blend fluids, make sure you do not fill the jar beyond the maximum level indication on the jar.

Note: Never steam baby food after you have blended it.

- 1** Put the blade unit on the blade unit holder in the jar (Fig. 5).
- 2** Cut solid ingredients into small pieces (cubes not bigger than 2-3cm) before you put them in the jar.

Tip: Do not process a large quantity of solid ingredients at the same time. Process these ingredients in a series of small batches instead.

- 3** Put the ingredients in the jar. (Fig. 6)

Note: Do not exceed the top edge of the green blade unit.

- 4** Put the valve in the lid (Fig. 7).

Note: Make sure the valve is fixed properly.

- 5** Put the sieve in the lid of the jar ('click') (Fig. 8).

- 6** Place the lid on the jar and turn it clockwise to fix it. The small projections on the lid have to slide into the grooves in the jar. Make sure that the large projection of the lid is placed exactly over the handle of the jar. (Fig. 9)

- 7** Place the jar upright on the motor unit, i.e. with the lid upwards. Make sure the handle is on the right-hand side and positioned between the two ridges of the locking area (Fig. 16).

- 8** Turn the control knob to the blending position. Hold the knob in this position for as long as you need but for not more than 30 seconds (Fig. 17).

Note: If the ingredients stick to the wall of the jar, switch off the appliance and loosen them with the spatula or add some liquid. Do not exceed the maximum level indication on the jar.

Note: Make sure that the blended baby food has the right consistency (e.g. no lumps) before you serve it.

Note: If the baby food is still too solid, add some fluid (e.g. water) until the baby food is soft and smooth. Do not exceed the maximum level indication on the jar.

Note: Never steam baby food after you have blended it.

Do not let the appliance blend for more than 30 seconds at a time. If you have not finished blending after 30 seconds, switch off the appliance and wait a few seconds before you continue. If the motor unit becomes hot, let it cool down for a few minutes before you continue.

- 9** When you have finished blending, simply release the control knob. (Fig. 18)

► The knob automatically returns to the off position.

10 Remove the blended food from the jar. If necessary, use the spatula supplied.

Make sure that the baby food is at a safe temperature for your baby.

11 Unplug the appliance.

Ingredients and steaming times

Type of food	Ingredient	Approximate steaming time*
Fruit	Apple	5 min
	Oranges	10 min
	Peach	10 min
	Pear	5 min
	Pineapple	15 min
	Plum	10 min
Vegetables	Asparagus	10 min
	Broccoli	20 min
	Carrot	15 min
	Cauliflower	15 min
	Celery	15 min
	Courgette	15 min
	Fennel	15 min
	French beans	20 min
	Leek	15 min
	Onion	15 min
	Peas	20 min
	Pepper	15 min
	Potato	20 min
	Pumpkin	15 min
	Spinach	15 min
	Swede	15 min
	Sweet potato	15 min
Tomato	15 min	
Meat	Chicken, beef, lamb, pork etc.	20 min
Fish	Salmon, sole, cod, trout etc.	15 min

* All food has to be cut in small cubes, no bigger than 2-3cm.

Note: The measuring cup shows millilitres and the corresponding steaming time in minutes (50ml = 5 min, 100ml = 10 min, 150ml = 15 min, 200ml = 20 min).

Cleaning and maintenance

Clean the appliance after every use.

Never immerse the motor unit in water.

Never use bleach or chemical sterilising solutions/tablets in the appliance.

Never use scouring pads, abrasive cleaning agents or aggressive liquids such as petrol, acetone or alcohol to clean the appliance.

- 1** Unplug the appliance and remove the jar from the motor unit (Fig. 19).
- 2** Remove the lid from the jar and turn the lid upside down (Fig. 20).
- 3** Remove the sieve and the valve from the lid. (Fig. 21)
- 4** Clean the valve in hot water with some washing-up liquid and rinse it under the tap.
- 5** Remove the blade unit from the jar (Fig. 22).
- 6** Clean the blade unit under the tap thoroughly, immediately after use. Make sure you also rinse the inside of the tube of the blade unit (Fig. 23).

Handle the blade unit very carefully. The cutting edges are very sharp.

Note: If you want to clean the blade unit more thoroughly, you can also place it in the dishwasher after you have rinsed it.

- 7** Clean the other parts that have come into contact with food in hot water with some washing-up liquid immediately after use.

Note: All parts, except the motor unit, can also be cleaned in the dishwasher.

- 8** If necessary, clean the motor unit with a moist cloth.
- 9** Check if any food particles have entered the water tank. You can do this by looking into the filling opening to see if there are any food particles in it or by checking if the water has an unusual colour and by smelling if the water tank produces an unpleasant or a burnt smell. If this is the case, clean the water tank (see section 'Cleaning the water tank' in this chapter).
- 10** Leave the lid of the filling opening open to prevent bacterial growth.

Descaling the water tank

If food particles enter the water tank, they may get stuck onto the heating element in the water tank during the next steaming processes. These particles cannot be removed by just rinsing the water tank. In addition, you have to descale the appliance every four weeks to ensure it continues to work 100% effectively. To reduce scale build-up, it is helpful to use pre-boiled or filtered water in the appliance. To remove food particles inside the water tank and to descale the appliance, follow the descaling instructions below.

- 1** Make sure the appliance is switched off.
 - 2** Add 50ml white vinegar (8% acetic acid) to 150ml water.
- Note: You can also use citric acid based descalers. Do not use other types of descalers.*
- 3** Fill the water tank with the solution of vinegar (or citric acid) and water.
 - 4** Close the lid of the filling opening.
 - 5** Place the empty jar (without any food inside) fully assembled with blade unit and lid on the motor unit in steaming position (i.e. with the lid pointing downwards).

- 6 Turn the control knob to steaming position.
 - ▶ The steaming light lights up orange to indicate that the appliance is steaming.
- 7 Switch off the appliance after 5-6 min of steaming and unplug it.
- 8 Pour the used solution of vinegar (8% acetic acid) and water out of the water tank (Fig. 24).
- 9 Rinse the water tank and the jar thoroughly with fresh water several times.
- 10 Fill the tank with 200ml water and let the appliance complete a steaming process of 20 minutes with the empty jar before you use the appliance with food again.
- 11 Leave the lid of the filling opening open to prevent bacterial growth.

Recycling

- This symbol means that this product shall not be disposed of with normal household waste (2012/19/EU) (Fig. 25).
- Follow your country's rules for the separate collection of electrical and electronic products. Correct disposal helps prevent negative consequences for the environment and human health.

Storage

- 1 Empty the water tank before you store the appliance (Fig. 24).
- 2 Make sure all parts are clean and dry before you store the appliance (see chapter 'Cleaning and maintenance').
- 3 Store the appliance with the blade unit in the jar to prevent damage.
- 4 Do not place the lid on the jar and leave the lid of the filling opening open to avoid bacterial growth.

Guarantee and support

If you need information or support, please visit www.philips.com/support or read the separate worldwide guarantee leaflet.

Technical specifications

- Voltage/wattage: see type plate on the bottom of the appliance.
- Maximum capacity of water tank: 200ml.
- Maximum capacity of jar, liquids: 450ml.
- Protection: temperature-controlled heating system and safety lock.

Troubleshooting

This chapter summarises the most common problems you could encounter with the appliance. If you are unable to solve the problem with the information below, visit www.philips.com/support for a list of frequently asked questions or contact the Consumer Care Centre in your country.

16 ENGLISH

Problem	Possible cause	Solution
The appliance does not work.	The appliance is equipped with a safety lock. If the parts have not been assembled properly onto the motor unit, the appliance does not work.	Assemble all parts properly. See chapter 'Using the appliance'.
The steaming light does not go on.	The appliance is not connected to the mains.	Put the plug in the wall socket.
	The jar is not placed on the motor unit properly.	Place the jar on the motor unit properly.
	You want to start a second steaming process just after one has finished.	Switch off the appliance and let it cool down for a few minutes before you start a second steaming process.
The ingredients are not heated up completely.	The pieces in the jar are too big, there is too much food in the jar or you have not steamed the food long enough.	Cut the food into smaller pieces (2-3cm), decrease the amount of food in the jar or select a longer steaming time (max. 20 minutes). Check the recipe booklet and/or the table in chapter 'Ingredients and steaming times' to make sure that you select the correct steaming time for the ingredients you want to steam or the recipe you want to prepare.
The appliance does not steam.	You have not put water in the appliance.	Switch off the appliance and put the right amount of water in the appliance.
	You have not put the jar on the motor unit in the correct position.	Place the jar on the appliance in the correct position (see section 'Steaming' in chapter 'Using the appliance').
Steaming takes too long or the steam function does not work at all.	There is too much scale in the water tank.	Descale the water tank. See chapter 'Cleaning and maintenance', section 'Descaling'.
Steam is coming out of the filling opening.	The lid of the filling opening is not closed properly.	Close the lid of the filling opening properly ('click').
	The steam outlet on the motor unit is blocked by food or by scale.	Clean the steam outlet with a pointy object without damaging the seal and follow the descaling instructions in the future. See chapter 'Cleaning and maintenance', section 'Descaling'.
	The steam hole in the lid is blocked.	Remove the valve and clean the steam hole in the lid properly.

Problem	Possible cause	Solution
The steaming light goes on again after the steaming process is finished. After some time, the appliance buzzes again.	You have accidentally left the jar on the base for more than 10 minutes without switching off the appliance.	Switch off the appliance within 10 minutes after the steaming process is finished and then blend the food or remove it from the jar.
The blade unit or motor unit is blocked.	There is too much food in the jar.	Switch off the appliance and process a smaller quantity. Do not fill the jar beyond the top edge of the green blade unit.
The motor unit gives off an unpleasant smell during the first few times of use.	This is normal.	If the appliance continues to give off this smell after you have used it a few times, check whether the processing quantity and processing time are correct. See chapter 'Ingredients and steaming times'.
The appliance continues to give off an unpleasant smell after I used it a few times.	You put too much food in the jar or you let the appliance blend too long.	Process smaller quantities and do not let the appliance blend for more than 30 seconds at a time.
The appliance makes a lot of noise, produces an unpleasant smell, feels hot to the touch, emits smoke, etc.	There is too much food in the jar.	Switch off the appliance and process a smaller quantity.
	You let the appliance operate too long without interruption.	Do not let the appliance blend for more than 30 seconds at a time.
The lid of the jar leaks.	You have not assembled the lid on the jar properly.	Assemble the lid on the jar properly. See chapter 'Using the appliance'.
	There is too much food in the jar.	Switch off the appliance and process a smaller quantity.
There are white spots on the filling opening and/or on the jar, sieve and lid.	Scale has built up on these parts.	This is normal. Remove the scale periodically. See chapter 'Cleaning and maintenance', section 'Descaling'.
The appliance produces a lot of noise while it is blending.	The sieve is not attached to the lid of the jar.	Make sure that the sieve is attached to the lid of the jar.

Problem	Possible cause	Solution
The water in the water tank has an unusual colour when you pour it out of the water tank or when it enters the jar during steaming, or the water in the water tank has an unpleasant smell.	Food particles have entered the water tank during use.	Clean the water tank according to the instructions in chapter 'Cleaning and maintenance, section 'Cleaning the water tank'. Use the appliance strictly according to the instructions. Make sure you do not overfill the water tank with water (max 200ml) and that you do not overfill the jar with food (do not fill the jar beyond the top edge of the green blade unit). Do not steam the same ingredients for more than 20 minutes and do not put water for steaming directly in the jar. Also make sure that the valve is fixed in the lid.
A smell of grilled or burnt food comes out of the water tank	Food particles have entered the water tank during use and have caked onto the heating element.	Clean the water tank according to the instructions in chapter 'Cleaning and maintenance, section 'Cleaning the water tank'. Use the appliance strictly according to the instructions. Make sure you do not overfill the water tank with water (max 200ml) and that you do not overfill the jar with food (do not fill the jar beyond the top edge of the green blade unit). Do not steam the same ingredients for more than 20 minutes and do not put water for steaming directly in the jar. Also make sure that the valve is fixed in the lid.
There are dark spots in the baby food or the water in the jar has an unusual colour.	Food particles have entered the water tank during use and have caked onto the heating element. This causes residues of these food particles to enter the jar during steaming.	Clean the water tank according to the instructions in chapter 'Cleaning and maintenance, section 'Cleaning the water tank'. Use the appliance strictly according to the instructions. Make sure you do not overfill the water tank with water (max 200ml) and that you do not overfill the jar with food (do not fill the jar beyond the top edge of the green blade unit). Do not steam the same ingredients for more than 20 minutes and do not put water for steaming directly in the jar. Also make sure that the valve is fixed in the lid.

Úvod

Blahopřejeme vám k nákupu a vítáme vás ve společnosti Philips Avent. Abyste mohli plně využít podpory, kterou společnost Philips Avent poskytuje, zaregistrujte svůj výrobek na adrese **www.philips.com/welcome**.

Tento napařovač kombinovaný s mixérem je obzvláště vhodný pro přípravu malých množství jídla pro děti. Přístroj díky kombinované funkci jednoduchého napařování a mixování pomáhá všem rodičům při přípravě čerstvých pokrmů pro děti.

Všeobecný popis (Obr. 1)

- 1 Víko s otvorem pro páru
- 2 Sítko
- 3 Nožová jednotka
- 4 Nádoba s držákem nožové jednotky
- 5 Plnicí otvor nádržky na vodu
- 6 Výstup páry na motorové jednotce
- 7 Zajišťovací oblast pro rukojeť
- 8 Motorová jednotka
- 9 Kontrolka napařování
- 10 Ovládací knoflík
- 11 Ventil
- 12 Stěrka
- 13 Odměrka
- 14 Spodní část přístroje se sítovým kabelem

Důležité

Před použitím přístroje si pečlivě přečtěte tuto uživatelskou příručku a uschovejte ji pro budoucí použití.

Nebezpečí

- Motorovou jednotku nikdy neponořujte do vody nebo jiné kapaliny, ani ji neproplachujte pod tekoucí vodou.

Varování

- Dříve než přístroj připojíte do sítě, zkontrolujte, zda napětí uvedené na přístroji souhlasí s napětím v místní elektrické síti.
- Pokud byste zjistili závadu na zástrčce, na napájecím kabelu nebo na přístroji, dále jej nepoužívejte.
- Pokud je poškozen napájecí kabel, musí jeho výměnu provést společnost Philips, autorizovaný servis společnosti Philips nebo obdobně kvalifikovaní pracovníci, aby se předešlo možnému nebezpečí.
- Přístroj mohou používat osoby se sníženými fyzickými, smyslovými nebo duševními schopnostmi nebo nedostatkem zkušeností a znalostí, pokud jsou pod dohledem nebo byly poučeny o bezpečném používání přístroje a rozumí všem rizikům spojeným s používáním přístroje.

- Příklad: Přístroj nesmějí používat děti. Udržujte přístroj a jeho napájecí kabel mimo dosah dětí.
- Děti si s přístrojem nesmí hrát.
- Nedotýkejte se ostří nožové jednotky, když je zařízení v zásuvce a během čištění. Nože jsou velmi ostré.
- Pokud se nožová jednotka zasekne, odpojte přístroj ze sítě ještě před odstraňováním surovin, které ji zablokovaly.
- Přístroj se během napařování značně zahřeje a při dotyku může způsobit popálení. Nádoby zvedejte pouze za rukojeť.
- Dávejte pozor na páru, která z nádoby odchází během napařování a při zvednutí víka.
- Dávejte pozor na páru, která po otevření víka vychází z plnicího otvoru nádržky na vodu.
- I po skončení napařování po nějakou dobu stále odchází horká pára z otvoru pro výstup páry na motorové jednotce a z otvoru ve víku nádoby. Při sundávání nádoby z motorové jednotky dbejte zvýšené opatrnosti.
- Je-li přístroj používán nesprávně, plnicím otvorem může unikat pára. Návod k řešení nebo předcházení potíží tohoto druhu naleznete v kapitole „Řešení problémů“.
- Přístroj v provozu nenechávejte nikdy bez dozoru.
- Nerozebírejte motorovou jednotku kvůli údržbě nebo čištění. Zařízení předejte na opravu autorizovanému servisnímu středisku společnosti Philips.

Upozornění

- Nikdy nepoužívejte žádné příslušenství ani díly od jiných výrobců nebo takové, které nebyly výslovně doporučeny společností Philips. Pokud použijete takové díly či příslušenství, pozbývá záruka platnosti.
- Přístroj neumísťujte na zapnutý nebo ještě horký sporák či vařič.
- Před čištěním vždy odpojte přístroj ze sítě a nechte ho vychladnout.
- Nikdy nádobu ani další části přístroje nepoužívejte v mikrovlnné troubě, neboť některé části rukojeti a nožové jednotky jsou z kovu a nejsou pro používání v mikrovlnné troubě vhodné.
- Nikdy nádobu ani další části přístroje nepoužívejte v mikrovlnné troubě nebo ve sterilizátoru, neboť některé části rukojeti a nožové jednotky jsou z kovu a nejsou pro takové používání vhodné.
- Přístroj je určen výhradně pro použití v domácnosti. Pokud by byl používán nesprávným způsobem, pro profesionální či poloprofesionální účely nebo v případě použití v rozporu s pokyny

- v uživatelské příručce, pozbývá záruka platnosti a společnost Philips odmítá jakoukoliv zodpovědnost za způsobené škody.
- Při nalévání horké tekutiny do nádoby dbejte zvýšené opatrnosti, horká tekutina a pára mohou uniknout a opařit vás.
 - Před napařováním další dávky přísad nechte přístroj 10 minut vychladnout.
 - Příklad není určen k sekání tvrdých přísad, například kostek ledu nebo cukru.
 - Nenechávejte přístroj mixovat nepřetržitě déle než 30 sekund. Jestliže není mixování po 30 sekundách dokončeno, vypněte přístroj a před dalším mixováním několik sekund vyčkejte. Dojde-li k zahřátí přístroje, nechte jej před dalším mixováním několik minut vychladnout.
 - Příklad umístěte na stabilní, vodorovný a rovný povrch a zajistěte, aby byl kolem přístroje dostatek volného prostoru. Předejdete tak poškození skříně či jiných předmětů, neboť z přístroje za provozu vychází horká pára.
 - Příklad nepoužívejte, pokud spadl nebo jestliže zjistíte jakékoli jeho poškození. Opravu svěřte autorizovanému servisu společnosti Philips.
 - V případě přípravy v páře do nádoby nikdy nedávejte vodu, jiné tekutiny nebo rozmixované jídlo. Mohlo by dojít k poškození přístroje.
 - Funkci napařování nikdy neprovozujte bez vody.
 - Ujistěte se, že nádobku na vodu nepřeplníte (max. 200 ml). Nepřekračujte maximální hladinu, která je vyznačena na odměrce.
 - Při napařování nádobu nepřeplníte. Zkontrolujte, zda je horní hrana zelené nožové jednotky nad hladinou pokrmu (Obr. 2).
 - Při mixování tekutin nepřekračujte maximální hladinu, která je na nádobě vyznačena (450 ml).
 - Do plnicího otvoru nebo otvoru pro páru nikdy nevkládejte žádné předměty.
 - Během napařování nikdy nedoplňujte nádržku na vodu. Z přístroje může vycházet pára a horká voda.
 - Před případným přidáním dalších přísad pro mixování se ujistěte, že víko po napařování vychladlo.
 - Nepřipojujte přístroj k externímu spínacímu zařízení, jako je například časový spínač, nebo k obvodu, který je pravidelně zapínán a vypínán. Tím lze předejít možnému nebezpečí způsobenému nezáměrným resetováním tepelné pojistky.
 - Před krmením dítěte vždy zkontrolujte teplotu dětské stravy hřbetem ruky.
 - Vždy zkontrolujte konzistenci dětské stravy. Ujistěte se, že v pokrmu nezůstaly kousky.

22 ČEŠTINA

- Po skončení napařování (max. 20 minut) jídlo pro kojence znovu nenapařujte ani neohřívejte.
- K vyjímání potravy z nádoby používejte výhradně dodanou sěrku.
- Pravidelné odstraňování vodního kamene zabraňuje poškození přístroje.
- Před výměnou příslušenství, nebo než se přiblížíte k dílům, které se během provozu pohybují, vypněte přístroj a odpojte napájení.
- Při manipulaci s ostrými noži, při vyprazdňování nádoby a během čištění buďte opatrní.
- Vždy odpojte zařízení od napájení, pokud je ponecháno bez dozoru.
- Čištění a uživatelskou údržbu nesmí provádět děti.
- Hladina hluku: Lc = 89 dB (A).

Bezpečnostní systém

Přístroj je vybaven vestavěným bezpečnostním zámekem. Funguje pouze tehdy, jsou-li všechny části správně připojeny k motorové jednotce. Jsou-li všechny díly správně sestaveny, vestavěný bezpečnostní vypínač je odblokován.

Přístroj je vybaven integrovanou ochranou proti přehřátí. K přehřátí může dojít v případě, že spustíte dva procesy napařování příliš brzy po sobě, pokud mixujete příliš dlouho nebo pokud do nádoby vložíte příliš velké množství pokrmu. Pokud během používání ochrana přístroj vypne, nastavte ovladač do pozice 0 a nechte přístroj několik minut vychladnout. Poté jej můžete znovu používat.

Elektromagnetická pole (EMP)

Tento přístroj Philips odpovídá všem platným normám a předpisům týkajícím se elektromagnetických polí.

Před prvním použitím

- 1 Z přístroje odstraňte veškerý obalový materiál.
- 2 Vyčistěte všechny části kromě motorové jednotky (viz kapitola ‚Čištění a údržba‘).

Použití přístroje

Před krmením dítěte vždy zkontrolujte teplotu dětské stravy hřbetem ruky.

Pokud chcete přidávat do nádoby další ingredience na mixování, dbejte na to, aby víko po napařování nejprve vychladlo. Nepřekračujte maximální hladinu, která je na nádobě vyznačena.

Před novým napařováním nádržku na vodu nejprve vyprázdněte a teprve poté znovu naplňte.

Před napařováním vždy zkontrolujte, zda je horní hrana zelené nožové jednotky nad hladinou pokrmu.

Při mixování tekutin nepřekračujte maximální hladinu, která je vyznačena na nádobě (450 ml).

Přístroj je určen pro napařování čerstvých pevných ingrediencí, které poté rozmixuje na kojeneckou stravu. Návod na přípravu některých pokrmů naleznete v knize receptů. Jednotlivé části pokrmu se nejprve ohřejí v páře a poté rozmixují. Přístroj však lze použít i k pouhému napařování nebo k pouhému mixování. Pokud budete pouze mixovat, přeskočte části „Naplnění nádržky na vodu“ a „Napařování“ a postupujte pouze podle návodu pro „Mixování“. Po mixování rozmixovaný pokrm nenapařujte. Nenapařujte stejný pokrm déle než 20 minut nebo vícekrát.

Přístroj NENÍ určen pro:

- Rozmrazování pokrmů
- Napařování zmrazených pokrmů

- Napařování rozmixovaných pokrmů
- Napařování stejných složek pokrmu déle než 20 minut
- Vaření těstovin a rýže
- Mixování a následnému napařování
- Ohřívání tekutin, například polévky nebo vody
- Udržování pokrmů v teple po několik hodin
- Opětovný ohřev pokrmu

Naplnění nádržky na vodu

1 Naplňte odměrku vodou do požadované hladiny (Obr. 3).

Na odměrce je vyznačen objem v mililitrech a odpovídající doba napařování v minutách. Doporučená množství pro jednotlivé recepty najdete v samostatné brožůře s recepty.

Poznámka: Nepřekračujte maximální hladinu odměrky (200 ml), aby nedošlo k přeplnění nádrže na vodu.

Poznámka: Nedoporučujeme používat minerální vodu, neboť rozpuštěné minerály způsobují tvorbu vodního kamene v nádrži.

2 Nalijte vodu do plnicího otvoru a zavřete víko (Obr. 4).

Poznámka: Do nádržky na vodu nedávejte nic jiného.

Napařování

Je-li určité druhy zeleniny a ovoce jemně napařeny, jsou tyto suroviny mimořádně vhodné pro děti, které začínají jíst pevnou potravu. Napařování představuje nejzdravější způsob přípravy pokrmů, neboť si jídlo uchovává množství vitamínů a jiných živin důležitých pro zdraví.

Poznámka: Recepty a doby zpracování pro jednotlivé recepty najdete v samostatné brožůře s recepty. Recepty jsou přizpůsobeny věku dítěte.

Poznámka: Nenařažte zmrazené potraviny, neboť přístroj nedokáže zmrazené jídlo zahřát na dostatečnou teplotu nutnou pro napařování. Jednotlivé přísady před napařováním nejprve rozmrazte. Než je vložíte do nádoby, nejprve z nich odstraňte přebytečnou vodu.

1 Nasaďte nožovou jednotku na držák v nádobě (Obr. 5).

2 Tuhé přísady před vložením do nádoby rozkrájejte na malé kousky (kostky menší než 2–3 cm).

Poznámka: Nezpracovávejte velké množství tuhých přísad najednou. Zpracujte tyto přísady spíše v několika menších dávkách.

3 Do nádoby vložte přísady (Obr. 6).

Poznámka: Neplňte nad horní hranu zelené nožové jednotky.

Poznámka: Pro napařování do nádoby nikdy nadávejte vodu nebo jinou tekutinu. Mohlo by dojít k poškození přístroje.

4 Vložte ventil do víka (Obr. 7).

Poznámka: Zkontrolujte, zda je ventil upevněn správně.

5 Do víka nádoby vložte sítko (ozve se „klapnutí“) (Obr. 8).

6 Položte víko na nádobu a otočením ve směru hodinových ručiček je zajistěte. Výstupky na víku zapadnou do drážek na nádobě. Největší výstupek na víku musí směřovat přesně k rukojeti nádoby (Obr. 9).

7 Otočte nádobu dnem nahoru a nasaďte ji na motorovou jednotku. Ujistěte se, že rukojeť je umístěna na správné straně a upevněna správným způsobem (Obr. 10).

Poznámka: Přístroj nespustí napařování, pokud nebude nádoba a rukojeť ve správné pozici.

8 Otočte ovládací knoflík do polohy napařování.

- Kontrolka napařování se rozsvítí oranžově, což indikuje, že přístroj napařuje (Obr. 11).

Horká pára nebo voda může způsobit popálení prstů. Nedotýkejte se páry ani horkých částí přístroje a nedovolte, aby se jich dotýkaly děti. Hrozí nebezpečí opaření (Obr. 12).

- Délka napařování závisí na množství vody v nádobě na vodu. Prostudujte si tabulku v kapitole „Potraviny a doba napařování“ a knihu receptů.
 - Po dokončení napařování přístroj vydává bzučivý zvuk a kontrolka napařování zhasne.
- 9** Nastavte ovladač do pozice Vypnuto. Vyčkejte 2 minuty, dokud nepřestane vycházet pára z otvoru, aby nedošlo k opaření. (Obr. 13)

Poznámka: Pokud chcete napařovat další várku potravin, nechejte přístroj nejprve 10 minut zchladit.

10 Jestliže chcete napařené jídlo rozmixovat, postupujte podle kapitoly „Mixování po napaření“ níže.

11 Za normálních okolností nezůstane v nádrži na vodu po napařování žádná voda. Někdy se však může stát, že v nádrži trocha vody zůstane (například při usazení vodního kamene v nádrži, při přerušení napařování nebo pokud přístroj zapnete omylem). V takovém případě nádobu po použití vyprázdněte, aby nedošlo k množení nežádoucích bakterií. Postup při odstraňování vodního kamene je popsán v kapitole „Čištění a údržba“.

Mixování po napaření

1 Uchopte rukojeť nádoby a zvedněte ji z motorové jednotky. Otočte nádobu a zatřeste s ní, aby všechny potraviny spadly na nožovou jednotku (Obr. 14).

Dotýkejte se pouze rukojeti nádoby. Víko, spodní část a vnější povrch jsou horké (Obr. 15).

2 V případě potřeby sejměte víko a dodejte další přísady (např. vodu nebo olej).

Před přidáváním dalších ingrediencí do nádoby nebo odstraněním zbývajících vody z nádržky se vždy ujistěte, že víko nádoby a víko nádržky vychladla.

Pokud dáte do nádoby tekutiny, nikdy nezapínejte napařování.

3 Nádobu nasaďte svisle na motorovou jednotku, tedy otvorem ve víku nahoru. Ujistěte se, že se rukojeť nachází na pravé straně a je umístěna mezi dvěma výčnělky zajišťovací oblasti (Obr. 16).

4 Otočte ovladačem do pozice pro mixování. Držte ovládací knoflík tak dlouho, dokud nebude pokrm dostatečně rozmixovaný (Obr. 17).

Nenechávejte přístroj mixovat nepřetržitě déle než 30 sekund. Jestliže není mixování po 30 sekundách dokončeno, vypněte přístroj a před dalším mixováním několik sekund vyčkejte. Dojde-li k zahřátí přístroje, nechte jej před dalším mixováním několik minut vychladnout.

Poznámka: Jestliže přísady ulpívají na stěnách nádoby, vypněte přístroj a uvolněte je přidáním tekutiny nebo pomocí stěrky.

Poznámka: Před podáváním se ujistěte, že má rozmixovaná dětská strava správnou konzistenci (neobsahuje hrudky).

Poznámka: Pokud je dětská strava stále příliš hutná, přidejte tekutinu (např. vodu), dokud nebude jemná a rozmělněná.

5 Po dokončení mixování jednoduše uvolněte ovládací knoflík (Obr. 18).

- Knoflík se automaticky vrátí do polohy vypnuto.

6 Vylijte rozmixovanou stravu z nádoby. V případě potřeby použijte dodanou stěrku.

Ujistěte se, že dětská strava má teplotu bezpečnou pro dítě.

- 7** Odpojte přístroj z napájení.
- 8** Za normálních okolností nezůstane v nádrži na vodu po napařování žádná voda. Někdy se však může stát, že v nádrži trocha vody zůstane (například při usazení vodního kamene v nádrži, při přerušení napařování nebo pokud přístroj zapnete omylem). V takovém případě nádobu po použití vyprázdněte, aby nedošlo k množení nežádoucích bakterií. Postup při odstraňování vodního kamene je popsán v kapitole „Čištění a údržba“.

Mixování bez napaření

Přístroj je určen pro:

- rozmixování napařených a uvařených přísad dětské stravy
- míchání tekutin a ovoce k výrobě dětských nápojů

Přístroj není určen k sekání tvrdých přísad, například kostek ledu nebo cukru.

Pokud dáte do nádoby tekutiny, nikdy nezapínejte napařování.

Poznámka: V případě míchání tekutin se ujistěte, že nádobu nepřepĺňujete nad úroveň maximální hladiny vyznačené na nádobě.

Poznámka: Rozmíchaný pokrm nikdy nenapařujte.

- 1** Nasadte nožovou jednotku na držák v nádobě (Obr. 5).
- 2** Tuhé přísady před vložením do nádoby rozkrájejte na malé kousky (kostky menší než 2–3 cm).

Tip: Nezpracovávajíte velké množství tuhých přísad najednou. Zpracujte tyto přísady spíše v několika menších dávkách.

- 3** Do nádoby vložte přísady. (Obr. 6)

Poznámka: Neplňte nad horní hranu zelené nožové jednotky.

- 4** Vložte ventil do víka (Obr. 7).

Poznámka: Zkontrolujte, zda je ventil upevněn správně.

- 5** Do víka nádoby vložte sítko (ozve se „klapnutí“) (Obr. 8).

- 6** Položte víko na nádobu a otočením ve směru hodinových ručiček je zajistěte. Výstupky na víku zapadnou do drážek na nádobě. Největší výstupek na víku musí směřovat přesně k rukojeti nádoby. (Obr. 9)

- 7** Nádobu nasadte svisle na motorovou jednotku, tedy otvorem ve víku nahoru. Ujistěte se, že se rukojeť nachází na pravé straně a je umístěna mezi dvěma výčnělky zajišťovací oblasti (Obr. 16).

- 8** Otočte ovládací knoflík do polohy mixování. Podle potřeby držte knoflík v této poloze, ne však déle na 30 sekund (Obr. 17).

Poznámka: Pokud se jídlo zachytí na stranách nádoby, přístroj vypněte a stěrkou je uvolněte nebo přidejte trochu vody. Nepřekračujte maximální hladinu vyznačenou na nádobě.

Poznámka: Před podáváním se ujistěte, že má rozmixovaná dětská strava správnou konzistenci (neobsahuje hrudky).

Poznámka: Pokud je jídlo stále příliš husté a hrudkovité, přidejte trochu tekutiny (například vody), abyste dosáhli požadované jemnosti a hustoty. Nepřekračujte maximální hladinu vyznačenou na nádobě.

Poznámka: Rozmíchaný pokrm nikdy nenapařujte.

Nenechávejte přístroj mixovat nepřetržitě déle než 30 sekund. Jestliže není mixování po 30 sekundách dokončeno, vypněte přístroj a před dalším mixováním několik sekund vyčkejte. Dojde-li k zahřátí motoru, nechte jej před dalším mixováním několik minut vychladnout.

9 Po dokončení mixování jednoduše uvolněte ovládací knoflík. (Obr. 18)

► Knoflík se automaticky vrátí do polohy vypnuto.

10 Vylijte rozmixovanou stravu z nádoby. V případě potřeby použijte dodanou stěrku.

Ujistěte se, že dětská strava má teplotu bezpečnou pro dítě.

11 Odpojte přístroj z napájení.

Potraviny a doba napařování

Typ potraviny	Potravina	Přibližná doba napařování*
Ovoce	Jablko	5 min
	Pomeranče	10 min
	Broskve	10 min
	Hrušky	5 min
	Ananas	15 min
	Švestky	10 min
Zelenina	Chřest	10 min
	Brokolice	20 min
	Mrkev	15 min
	Květák	15 min
	Celer	15 min
	Cuketa	15 min
	Fenykl	15 min
	Fazole	20 min
	Pórek	15 min
	Cibule	15 min
	Hrášek	20 min
	Papriky	15 min
	Brambory	20 min
	Dýně	15 min
	Špenát	15 min
	Tuřín	15 min
	Sladké brambory	15 min
Rajčata	15 min	
Maso	Kuřecí, hovězí, skopové, vepřové apod.	20 min
Ryby	Losos, platýs, treska, pstruh apod.	15 min

* Všechny potraviny je třeba nakrájet na kostičky o velikosti maximálně 2–3 cm.

Poznámka: Odměrka ukazuje mililitry a odpovídající čas vaření v páře v minutách (50 ml = 5 min, 100 ml = 10 min, 150 ml = 15 min, 200 ml = 20 min).

Čištění a údržba

Po každém použití přístroj vyčistěte.

Motorovou jednotku nesmíte nikdy ponořit do vody.

Do přístroje nevkládejte bělidla či chemické sterilizační roztoky nebo tablety.

K čištění přístroje nikdy nepoužívejte kovové žinky, abrazivní čisticí prostředky ani agresivní čisticí prostředky, jako je například benzín, aceton nebo alkohol.

- 1** Odpojte přístroj ze sítě a odstraňte nádobu z motorové jednotky (Obr. 19).
- 2** Vyjměte z nádoby víko a otočte je vzhůru nohama (Obr. 20).
- 3** Sundejte z víka sítko a ventil. (Obr. 21)
- 4** Omyjte ventil v horké vodě s přidavkem mycího prostředku a opláchněte pod tekoucí vodou.
- 5** Vyjměte z nádoby nožovou jednotku (Obr. 22).
- 6** Nožovou jednotku bezprostředně po použití důkladně umyjte pod tekoucí vodou. Ujistěte se, že jste opláchl i vnitřní část trubky nožové jednotky (Obr. 23).

S nožovou jednotkou zacházejte velmi opatrně. Čepele nožů jsou velmi ostré.

Poznámka: Chcete-li nožovou jednotku vyčistit důkladněji, je možné ji po opláchnutí umýt v myčce na nádobí.

- 7** Všechny další díly, které přicházejí do styku s potravinami, myjte v horké vodě s přidáním vhodného mycího prostředku, a to bezprostředně po každém použití.

Poznámka: Všechny části kromě motorové jednotky lze mýt také v myčce na nádobí.

- 8** V případě potřeby čistěte motorovou jednotku pouze navlhčeným hadříkem.
- 9** Zkontrolujte, zda se do nádržky na vodu nedostalo jídlo. Nahlédněte do plnicího otvoru, jestli uvnitř nejsou kousky jídla, zkontrolujte, zda voda nemá nezvyklou barvu a zkusete, jestli z nádržky na vodu nevychází neobvyklý zápach. Pokud je v nádržce na vodu jídlo, nádržku vyčistěte (viz. kapitola „Čištění nádržky na vodu“).

- 10** Nádržku na vodu nezavírejte, aby nedocházelo k množení nežádoucích bakterií.

Odstranění vodního kamene

Pokud se do nádržky na vodu dostanou kousky jídla, při dalším napařování může dojít k jejich připečení na topné těleso. Takové znečištění pak nestačí jen vypláchnout.

Abyste zajistili 100% fungování přístroje, je třeba přibližně každé dva týdny odstraňovat vodní kámen.

Chcete-li snížit usazování vodního kamene, používejte v přístroji převařenou nebo filtrovanou vodu.

Chcete-li odstranit vodní kámen nebo připečené jídlo z nádrže na vodu, postupujte podle následujícího návodu na odstranění vodního kamene.

- 1** Ujistěte se, že je přístroj vypnutý.
 - 2** Přidejte 50ml bílého octa (8% kyselina octová) do 150 ml vody.
- Poznámka: Můžete rovněž použít prostředky na odstranění vodního kamene na bázi kyseliny citronové. Jiné prostředky na odstranění vodního kamene nepoužívejte.*
- 3** Naplňte nádržku roztokem octa (nebo kyseliny citronové) a vody.
 - 4** Uzavřete víčko plnicího otvoru.

- 5 Umístěte zkompletovanou prázdnou nádobu mixéru (bez jídla) i s nožovou jednotkou a víkem na motorovou jednotku do pozice pro napařování (tzn. víko směřuje dolů).
- 6 Otočte ovládací knoflík do polohy napařování.
 - Kontrolka napařování se rozsvítí oranžově, což indikuje, že přístroj napařuje.
- 7 Po 5-6 minutách napařování přístroj vypněte a vytáhněte ze zásuvky.
- 8 Vylijte z nádoby zbytek roztoku bílého octu (8% kyseliny octové) a vody.
- 9 Nádržku na vodu a nádobu mixéru několikrát důkladně propláchněte pod tekoucí vodou.
- 10 Před další přípravou pokrmů naplňte nádržku 200 ml vody a nechte přístroj provést jeden kompletní proces napařování (20 minut). Nádoba musí být prázdná.
- 11 Nádržku na vodu nezavírejte, aby nedocházelo k množení nežádoucích bakterií.

Recyklace

- Tento symbol znamená, že výrobek nelze likvidovat s běžným komunálním odpadem (2012/19/EU) (Obr. 25).
- Dodržujte předpisy vaší země týkající se sběru tříděného odpadu elektrických a elektronických výrobků. Správnou likvidací pomůžete zabránit negativním dopadům na životní prostředí a lidské zdraví.

Skladování

- 1 Před uložením přístroje vyprázdněte nádržku na vodu (Obr. 24).
- 2 Před uskladněním přístroje se ujistěte, že jsou všechny součásti čisté a suché (viz kapitola „Čištění a údržba“).
- 3 Nožovou jednotku skladujte v přístroji, předejdete tak jejímu poškození.
- 4 Nenechávejte víko na nádobě mixéru a nezavírejte víčko plnicího otvoru, aby nedocházelo k množení nežádoucích bakterií.

Záruka a podpora

Více informací a podpory naleznete na adrese www.philips.com/support nebo samostatném záručním listu s celosvětovou platností.

Technické specifikace

- Napětí/příkon: viz štítek na spodní části přístroje.
- Maximální objem nádržky na vodu: 200 ml.
- Maximální objem nádoby, tekutiny: 450 ml.
- Ochrana: systém ohřevu řízený teplotou a bezpečnostní zámek.

Řešení problémů

V této kapitole jsou shrnuty nejběžnější problémy, se kterými se můžete u přístroje setkat. Pokud se vám nepodaří problém vyřešit podle následujících informací, navštivte web www.philips.com/support, kde jsou uvedeny odpovědi na nejčastější dotazy, nebo kontaktujte Středisko péče o zákazníky ve své zemi.

Problém	Možná příčina	Řešení
Přístroj nefunguje.	Přístroj je vybaven bezpečnostním zámkem. Pokud nebylo příslušenství řádně připevněno na jednotku motoru, přístroj nefunguje.	Sestavte řádně všechny díly. Viz kapitola „Použití přístroje“.
Kontrolka napařování se nezapne.	Přístroj není připojen k síti.	Zasuňte zástrčku do síťové zásuvky.
	Nádoba není správně nasazena na motorové jednotce.	Umístěte nádobu na motorovou jednotku správně.
	Chcete zahájit druhý proces napařování bezprostředně po dokončení prvního.	Vypněte přístroj a před zahájením druhého procesu napařování jej nechte několik minut vychladnout.
Jednotlivé složky nejsou dobře prohřáté.	Kousky v nádobě jsou příliš velké, v nádobě je příliš velké množství potravin nebo nebyla doba napařování dostatečně dlouhá.	Nakrájejte jídlo na malé kousky (2–3cm), vložte do nádoby méně jídla nebo zvolte delší dobu napařování (max. 20 minut). Nahlédněte do knihy receptů a/nebo do tabulky v kapitole „Potraviny a doba napařování“ a zvolte pro své potraviny nebo recept vhodnou délku doby napařování.
Přístroj nevytváří páru.	Nenalili jste do přístroje vodu.	Vypněte přístroj a nalijte do něj správné množství vody.
	Nenasadili jste nádobu na motorovou jednotku správným způsobem.	Nasadte nádobu správně (viz. část „Napařování“ v kapitole „Použití přístroje“).
Napařování trvá příliš dlouho nebo funkce napařování nefunguje.	Ve vodní nádržce se nachází příliš velké množství vodního kamene.	Odstraňte z nádržky vodní kámen. Viz kapitola „Čištění a údržba“, část „Odstranění vodního kamene“.
Plnicím otvorem uniká pára.	Víko plnicího otvoru nebylo správně zavřeno.	Uzavřete řádně víčko plnicího otvoru (uslyšíte cvaknutí).
	Výstup páry na motoru je ucpan potravinami nebo vodním kamenem.	Vyčistěte výstup špičatým předmětem, dávejte přitom pozor na těsnění a pro příště sledujte pokyny k odstraňování vodního kamene. Viz část „Odstranění vodního kamene“ v kapitole „Čištění a údržba“.
	Otvor pro páru ve víku je ucpan.	Sejměte ventil a důkladně vyčistěte otvor pro páru ve víku.

Problém	Možná příčina	Řešení
Kontrolka napařování se znovu rozsvítí poté, kdy napařování skončilo. Po nějakém čase začne přístroj znovu bzučet.	Nechali jste konvici stát na základně déle než 10 minut bez vypnutí.	Do deseti minut po skončení napařování přístroj vypněte, potom stravu rozmixujte nebo vyjměte z konvice.
Nožová jednotka nebo motor jsou blokovány.	V nádobě je příliš mnoho potravin.	Vypněte přístroj a odeberte část obsahu. Neplňte nádobu nad horní hranu zelené nožové jednotky.
Motorová jednotka produkuje při prvních několika použitích nepříjemný zápach.	To je normální jev.	Pokud přístroj vydává tento zápach i po několika použitích, ujistěte se, že jsou zpracovávána množství a doba zpracování správné. Viz. kapitola „Potraviny a doba napařování“.
Přístroj vydává nepříjemný zápach i po několika použitích.	V nádobě je příliš mnoho potravin nebo probíhá mixování příliš dlouho.	Zpracovávejte menší množství a nenechávejte přístroj mixovat nepřetržitě déle než 30 sekund.
Přístroj vydává nadměrný hluk, produkuje nepříjemný zápach, je horký na dotyk, vychází z něj kouř atd.	V nádobě je příliš mnoho potravin.	Vypněte přístroj a zpracovávejte menší množství potravin.
	Nechali jste přístroj v chodu příliš dlouho bez přerušení.	Nenechávejte přístroj nepřetržitě mixovat déle než 30 sekund.
Víko nádoby netěsní.	Nasadili jste víko na nádobu nesprávným způsobem.	Nasadte víko na nádobu správným způsobem. Viz. kapitola „Použití přístroje“.
	V nádobě je příliš mnoho potravin.	Vypněte přístroj a zpracovávejte menší množství potravin.
Na plnicím otvoru a/nebo nádobě, sítku a víku se nacházejí bílé skvrny.	Na těchto částech se usadil vodní kámen.	To je normální jev. Odstraňujte vodní kámen pravidelně. Viz. kapitola „Čištění a údržba“, část „Odstraňování vodního kamene“.
Přístroj při mixování vydává nadměrný hluk.	K víku nádoby není připevněno sítko.	Ujistěte se, že je k víku nádoby připevněno sítko.

Problém	Možná příčina	Řešení
<p>Voda v nádržce má nezvyklou barvu (při vylévání přebytečné vody nebo během procesu napařování) nebo zvláštní zápach.</p>	<p>Do nádržky na vodu se dostaly kousky jídla.</p>	<p>Nádržku na vodu vyčistěte podle pokynů v kapitole „Čištění a údržba“, část „Čištění nádržky na vodu“. Používejte přístroj pouze v souladu s návodem. Nepřepíňujte nádržku na vodu (max. 200 ml) ani nádobu mixéru (neplňte nad horní hranu zelené nožové jednotky). Nenapařujte stejný pokrm déle než 20 minut a vodu pro napařování nelejte přímo do nádoby mixéru. Zkontrolujte také, zda je do víka správně nasazen ventil.</p>
<p>Z nádržky na vodu je cítit spálené jídlo.</p>	<p>Do nádržky na vodu se během používání dostaly kousky jídla a připekly se na topné těleso.</p>	<p>Nádržku na vodu vyčistěte podle pokynů v kapitole „Čištění a údržba“, část „Čištění nádržky na vodu“. Používejte přístroj pouze v souladu s návodem. Nepřepíňujte nádržku na vodu (max. 200 ml) ani nádobu mixéru (neplňte nad horní hranu zelené nožové jednotky). Nenapařujte stejný pokrm déle než 20 minut a vodu pro napařování nelejte přímo do nádoby mixéru. Zkontrolujte také, zda je do víka správně nasazen ventil.</p>
<p>Na pokrmu jsou černé tečky a/ nebo voda v nádobě má nezvyklou barvu.</p>	<p>Do nádržky na vodu se během používání dostaly kousky jídla a připekly se na topné těleso. Během napařování se pak malé části těchto připečených kousků dostaly do nádoby mixéru.</p>	<p>Nádržku na vodu vyčistěte podle pokynů v kapitole „Čištění a údržba“, část „Čištění nádržky na vodu“. Používejte přístroj pouze v souladu s návodem. Nepřepíňujte nádržku na vodu (max. 200 ml) ani nádobu mixéru (neplňte nad horní hranu zelené nožové jednotky). Nenapařujte stejný pokrm déle než 20 minut a vodu pro napařování nelejte přímo do nádoby mixéru. Zkontrolujte také, zda je do víka správně nasazen ventil.</p>

Introduction

Félicitations pour votre achat et bienvenue dans l'univers Philips Avent ! Pour profiter pleinement de l'assistance Philips Avent, enregistrez votre produit sur le site www.philips.com/welcome. Ce robot cuiseur vapeur/mixeur est particulièrement adapté à la préparation de petites quantités d'aliments pour bébé. Ce robot cuiseur vapeur/mixeur permet aux parents de préparer des repas frais pour bébé grâce à la combinaison d'une fonction de cuisson à la vapeur et d'une fonction de mixage en un seul appareil.

Description générale (fig. 1)

- 1 Couvercle avec sortie vapeur
- 2 Filtre
- 3 Ensemble lames
- 4 Bol avec porte-lame
- 5 Ouverture de remplissage du réservoir d'eau
- 6 Sortie vapeur du bloc moteur
- 7 Zone de verrouillage de la poignée
- 8 Bloc moteur
- 9 Voyant vapeur
- 10 Bouton de commande
- 11 Soupape
- 12 Spatule
- 13 Verre doseur
- 14 Fond de l'appareil avec cordon d'alimentation

Important

Lisez attentivement ce mode d'emploi avant d'utiliser l'appareil et conservez-le pour un usage ultérieur.

Danger

- Ne plongez jamais le bloc moteur dans l'eau, ni dans d'autres liquides et ne le rincez pas.

Avertissement

- Avant de brancher l'appareil, vérifiez que la tension indiquée sur l'appareil correspond à la tension supportée par le secteur local.
- N'utilisez jamais l'appareil si la prise, le cordon d'alimentation ou l'appareil lui-même est endommagé.
- Si le cordon d'alimentation est endommagé, il doit être remplacé par Philips, par un Centre Service Agréé Philips ou par un technicien qualifié afin d'éviter tout accident.
- Cet appareil peut être utilisé par des personnes dont les capacités physiques, sensorielles ou intellectuelles sont réduites ou des personnes manquant d'expérience et de connaissances, à condition que ces personnes soient sous surveillance ou qu'elles aient reçu des instructions quant à l'utilisation sécurisée de l'appareil et qu'elles aient pris connaissance des dangers encourus.

- L'utilisation de cet appareil est strictement interdite aux enfants. Tenez l'appareil et son cordon hors de portée des enfants.
- Les enfants ne doivent pas jouer avec l'appareil.
- Ne touchez pas les lames ; surtout lorsque l'appareil est branché. Les lames sont en effet très coupantes.
- Si l'ensemble lames se bloque, débranchez toujours l'appareil avant de retirer les ingrédients à l'origine du blocage.
- L'appareil devient très chaud lors de la cuisson à la vapeur et peut provoquer des brûlures en cas de contact. Utilisez toujours la poignée pour soulever le bol.
- Prenez garde à la vapeur brûlante qui s'échappe du bol lors de la cuisson et lorsque vous retirez le couvercle.
- Prenez garde à la vapeur brûlante qui s'échappe de l'ouverture de remplissage du réservoir d'eau lorsque vous ouvrez son couvercle.
- Lorsque la cuisson à la vapeur est finie, de la vapeur brûlante continue à sortir par les sorties vapeur sur le bloc moteur et sur le couvercle du bol pendant un certain temps. Faites attention lorsque vous ôtez le bol du bloc moteur.
- En cas d'utilisation inappropriée de l'appareil, de la vapeur brûlante peut se dégager de l'ouverture de remplissage. Reportez-vous au chapitre « Dépannage » afin d'éviter ce problème ou le résoudre.
- Toujours déconnecter l'appareil de l'alimentation si on le laisse sans surveillance.
- Ne démontez pas le bloc moteur à des fins d'entretien ou de nettoyage, mais confiez-le à un Centre Service Agréé Philips pour réparation.

Attention

- N'utilisez jamais d'accessoires, ni de pièces d'autres fabricants ou qui n'ont pas été spécifiquement recommandés par Philips. Votre garantie ne sera pas valable en cas d'utilisation de tels accessoires ou pièces.
- Ne placez pas l'appareil sur ou à proximité d'une plaque chauffante ou d'une cuisinière en cours de fonctionnement ou encore chaude.
- Débranchez toujours l'appareil et laissez-le refroidir avant de le nettoyer.
- N'utilisez jamais le bol ou aucune autre partie de l'appareil dans un micro-ondes, car les parties métalliques de la poignée du bol et des couteaux ne sont pas adaptées à cette utilisation.
- Ne stérilisez jamais le bol ou aucune autre partie de l'appareil dans un stérilisateur ou un micro-ondes, car les parties métalliques de la

poignée du bol et des couteaux ne sont pas adaptées à cette utilisation.

- Débranchez l'appareil avant tout montage ; démontage ; nettoyage ou manipulation des pièces détachables.
- Cet appareil est destiné à un usage domestique uniquement. S'il est employé de manière inappropriée, à des fins professionnelles ou semi-professionnelles, ou en non-conformité avec les instructions du mode d'emploi, la garantie devient caduque et Philips décline toute responsabilité concernant les dégâts occasionnés.
- Faites attention lorsque vous versez un liquide chaud dans le bol car le liquide chaud et la vapeur peuvent s'échapper et occasionner des brûlures.
- Laissez l'appareil refroidir pendant 10 minutes avant de cuire un autre lot d'ingrédients.
- L'appareil n'est pas conçu pour hacher des ingrédients durs tels que les glaçons et les morceaux de sucre.
- Ne laissez pas l'appareil en position de mixage pendant plus de 30 secondes consécutives. Si vous avez besoin de plus de 30 secondes, éteignez l'appareil pendant quelques secondes. Si l'appareil devient chaud, laissez-le refroidir pendant quelques minutes avant de continuer.
- Posez l'appareil sur une surface horizontale, stable et plane. Veillez à laisser suffisamment d'espace libre tout autour pour éviter d'endommager vos placards ou tout autre objet, car l'appareil produit de la vapeur.
- N'utilisez jamais l'appareil s'il est tombé ou s'il est endommagé, mais confiez-le à un Centre Service Agréé Philips pour réparation.
- Ne mettez jamais d'eau, de liquide, ou d'aliments mixés dans le bol afin d'éviter d'endommager l'appareil.
- N'utilisez jamais la fonction de cuisson à la vapeur sans eau.
- Veillez à ne pas remplir le réservoir au-delà de la capacité maximale (200 ml). Ne dépassez jamais le niveau maximal indiqué sur le verre doseur.
- Lorsque vous cuisez des ingrédients à la vapeur, veillez à ne pas trop remplir le bol. Assurez-vous que le bord supérieur de l'ensemble lames vert n'est pas recouvert de nourriture (fig. 2).
- Lorsque vous mixez des liquides, ne dépassez pas le niveau maximal indiqué sur le bol (450 ml).
- N'insérez aucun objet dans l'ouverture du réservoir d'eau ou la sortie vapeur.

- Ne remplissez jamais le réservoir d'eau lors de la cuisson à la vapeur, car de l'eau brûlante et de la vapeur pourraient s'échapper de l'appareil.
- Avant d'ouvrir le couvercle et d'ajouter d'autres ingrédients à mixer, si nécessaire, assurez-vous que le couvercle a suffisamment refroidi après la cuisson.
- Afin d'éviter tout risque d'accident dû à une réinitialisation inopinée du dispositif antisurchauffe, ne branchez pas cet appareil à un appareil de connexion externe (par exemple, un minuteur) ou à un circuit régulièrement coupé par le fournisseur d'électricité.
- Vérifiez toujours la température des aliments sur le dos de votre main avant de nourrir votre bébé.
- Vérifiez toujours la consistance des aliments pour bébé. Assurez-vous que la nourriture ne contient pas de morceaux.
- Lorsque la cuisson à la vapeur (maximum 20 minutes) est finie, ne réchauffez pas la nourriture pour bébés et ne la cuisez pas de nouveau à la vapeur.
- Utilisez exclusivement la spatule fournie pour retirer les aliments du bol.
- Un détartrage régulier permet d'éviter d'endommager l'appareil.
- Éteignez l'appareil et débranchez-le de l'alimentation avant de changer les accessoires ou d'approcher les éléments qui bougent pendant l'utilisation.
- Des précautions doivent être prises lors de la manipulation des couteaux affûtés, lorsqu'on vide le bol et lors du nettoyage.
- Débranchez toujours l'appareil de l'alimentation s'il n'est pas utilisé.
- Le nettoyage et l'entretien ne doivent pas être effectués par des enfants.
- Niveau sonore : $L_c = 89 \text{ dB(A)}$.

Système de sécurité

L'appareil est équipé d'un verrou de sécurité intégré. Il ne fonctionne que si vous avez correctement assemblé tous les éléments sur le bloc moteur. Si ceux-ci sont correctement assemblés, le verrou de sécurité se désactive automatiquement.

L'appareil est également équipé d'une protection anti-surchauffe. Il peut se produire une surchauffe si vous procédez à deux cuissons à la vapeur de manière trop rapprochée, si la fonction de mixage est utilisée trop longtemps ou s'il y a trop d'ingrédients dans le bol. Si la protection anti-surchauffe éteint l'appareil en cours d'utilisation, réglez le bouton de commande sur 0 et laissez l'appareil refroidir pendant quelques minutes, après quoi vous pourrez réutiliser l'appareil.

Champs électromagnétiques (CEM)

Cet appareil Philips est conforme à toutes les normes et à tous les règlements applicables relatifs à l'exposition aux champs électromagnétiques.

Avant la première utilisation

- 1 Retirez l'appareil de l'emballage.
- 2 Nettoyez tous les éléments à l'exception du bloc moteur (Voir le chapitre « Nettoyage et entretien »).

Utilisation de l'appareil

Vérifiez toujours la température des aliments sur le dos de votre main avant de nourrir votre bébé.

Assurez-vous toujours que le couvercle a refroidi après utilisation avant de l'enlever pour ajouter d'éventuels autres ingrédients à mixer. Ne dépassez pas le niveau maximal indiqué sur le bol.

Videz le réservoir d'eau avant de le remplir de nouveau pour commencer une nouvelle cuisson à la vapeur.

Assurez-vous toujours que le bord supérieur de l'ensemble lames vert n'est pas recouvert de nourriture lorsque vous commencez la cuisson à la vapeur.

Ne dépassez pas le niveau maximal indiqué sur le bol (450 ml) lorsqu'il s'agit de liquides.

Cet appareil est destiné à la cuisson à la vapeur d'ingrédients frais solides, puis à leur mixage afin d'obtenir de la nourriture pour bébés. Vous en trouverez des exemples dans le livret de recettes. Normalement, il cuit les ingrédients avant de les mixer. Cependant, vous pouvez également utiliser l'appareil pour cuire ou mixer uniquement. Lorsque vous utilisez l'appareil pour mixer uniquement, ignorez les sections « Remplissage du réservoir » et « Cuisson à la vapeur », et suivez uniquement les instructions de la section « Mixage ». Une fois qu'elle est mixée, ne cuisez jamais la nourriture à la vapeur. Ne cuisez jamais à la vapeur le même lot d'ingrédients pendant plus de 20 minutes ou plus d'une fois. Cet appareil N'EST PAS adapté dans les cas suivants :

- Décongélation
- Cuisson de surgelés
- Cuisson de nourriture déjà mixée
- Cuisson des mêmes ingrédients pendant plus de 20 minutes
- Cuisson de riz et pâtes
- Mixage puis cuisson d'ingrédients
- Chauffage de liquides, soupe ou eau par exemple
- Maintien de nourriture au chaud pendant plusieurs heures
- Réchauffage de nourriture

Remplissage du réservoir

- 1 Remplissez le verre doseur d'eau jusqu'au niveau requis (fig. 3).

Le verre doseur indique les quantités en millilitres et les temps de cuisson à la vapeur correspondants en minutes. Consultez le livre de recettes pour connaître les quantités recommandées pour les recettes fournies.

Remarque : Ne dépassez pas le niveau maximal indiqué sur le verre doseur (200 ml) pour vous assurer que le réservoir d'eau n'est pas trop rempli.

Remarque : Nous vous conseillons de ne pas utiliser d'eau minérale, car les minéraux contenus dans ce type d'eau créent des dépôts de calcaire dans le réservoir d'eau.

- 2 Versez l'eau via l'orifice du réservoir d'eau et fermez le couvercle (fig. 4).

Remarque : Ne versez jamais autre chose que de l'eau dans le réservoir d'eau.

Cuisson à la vapeur

Les aliments cuits lentement à la vapeur conviennent parfaitement aux bébés qui commencent une alimentation solide. La cuisson à la vapeur est le mode de cuisson le plus sain, les aliments conservant un maximum de vitamines et autres nutriments.

Remarque : Vous trouverez les recettes et les temps de cuisson requis dans le livre de recettes fourni séparément. Notez que toutes les recettes sont élaborées en fonction de l'âge des enfants.

Remarque : Ne cuisez pas d'ingrédients surgelés car l'appareil ne peut pas les chauffer à la température requise pour la cuisson. Décongelez toujours les ingrédients surgelés avant de les cuire dans cet appareil. Égouttez l'excédent d'eau avant de les placer dans le bol.

1 Placez l'ensemble lames sur son support dans le bol (fig. 5).

2 Coupez les ingrédients en petits morceaux (dés de 2-3 cm maximum) avant de les mettre dans le bol.

Remarque : Si vous devez mixer/hacher d'importantes quantités d'aliments solides, procédez par petites portions.

3 Placez les ingrédients dans le bol (fig. 6).

Remarque : Ne dépassez pas le bord supérieur de l'ensemble lames vert.

Remarque : Ne mettez jamais d'eau ou tout autre liquide dans le bol afin d'éviter d'endommager l'appareil.

4 Placez la soupape dans le couvercle (fig. 7).

Remarque : Assurez-vous que la soupape est correctement fixée.

5 Positionnez le filtre dans le couvercle du bol (clic) (fig. 8).

6 Placez le couvercle sur le bol et tournez-le dans le sens des aiguilles d'une montre pour le fixer. Veillez à ce que les picots du couvercle s'encastrent bien dans les rainures du bol. Assurez-vous que la grande projection du couvercle est placée au-dessus de la poignée du bol (fig. 9).

7 Placez le bol à l'envers sur le bloc moteur, c'est-à-dire couvercle vers le bas. Assurez-vous que la poignée se situe sur la droite et qu'elle est correctement fixée (fig. 10).

Remarque : L'appareil ne démarre pas tant que le bol et la poignée ne sont pas correctement positionnés.

8 Placez le bouton de commande sur la position de cuisson à la vapeur.

Le voyant vapeur s'allume en orange pour indiquer que la cuisson est en cours (fig. 11).

La vapeur ou l'eau chaude peuvent vous brûler les doigts. Pour éviter les brûlures, ne touchez pas les éléments chauds ou la vapeur et ne laissez pas les enfants y toucher (fig. 12).

Le temps de cuisson dépend de la quantité d'eau que vous avez versée dans le réservoir d'eau. Reportez-vous au tableau dans le chapitre « Ingrédients et temps de cuisson » et au livret de recettes.

Une fois la cuisson terminée, l'appareil émet un signal sonore et le voyant vapeur s'éteint.

9 Réglez le bouton de commande sur la position d'arrêt. Patientez 2 minutes, jusqu'à ce que la vapeur ne s'échappe plus, pour éviter de vous brûler. (fig. 13)

Remarque : Si vous souhaitez faire cuire un autre lot d'ingrédients, laissez l'appareil refroidir pendant 10 minutes avant de recommencer.

10 Si vous souhaitez mixer les aliments cuits à la vapeur, suivez les instructions de la section « Mixage après la cuisson à la vapeur » ci-dessous.

11 Dans des conditions normales, il ne reste pas d'eau dans le réservoir d'eau à la fin de la cuisson. Cependant, dans certaines situations (par exemple si des dépôts de calcaire se sont

formés dans le réservoir d'eau, si le processus de cuisson a été interrompu ou en cas d'utilisation accidentelle), il pourrait en rester un peu. Si c'est le cas, videz le réservoir d'eau complètement après utilisation pour éviter que des bactéries ne se développent. Pour détartrer le réservoir d'eau, reportez-vous au chapitre « Nettoyage et entretien ».

Mixage après la cuisson à la vapeur

- 1** Saisissez la poignée du bol et retirez-le du bloc moteur en le soulevant. Retournez le bol et secouez-le pour faire tomber les aliments sur les couteaux (fig. 14).

Ne touchez que la poignée du bol. Le couvercle, le fond et la surface externe du bol sont chauds (fig. 15).

- 2** Si nécessaire, retirez le couvercle, puis ajoutez d'autres ingrédients à mixer (par exemple de l'eau ou de l'huile).

Assurez-vous toujours que le couvercle du bol et le couvercle du réservoir d'eau ont refroidi après utilisation avant de les ouvrir pour ajouter d'autres ingrédients dans le bol ou pour vider l'eau du réservoir d'eau.

Après avoir versé des liquides dans le bol, ne le mettez jamais en position de cuisson.

- 3** Placez le bol en position verticale sur le bloc moteur, c'est-à-dire couvercle vers le haut. Assurez-vous que la poignée se trouve sur le côté droit et entre les deux encoches de la zone de verrouillage (fig. 16).
- 4** Réglez le bouton de commande sur la position de mixage. Maintenez le bouton dans cette position jusqu'à ce que la nourriture soit correctement mixée (fig. 17).

Ne laissez pas l'appareil en position de mixage pendant plus de 30 secondes consécutives. Si vous avez besoin de plus de 30 secondes, éteignez l'appareil pendant quelques secondes. Si l'appareil devient chaud, laissez-le refroidir pendant quelques minutes avant de continuer.

Remarque : Si les ingrédients s'accumulent sur les parois du bol, éteignez l'appareil et détachez-les à l'aide d'une spatule ou ajoutez du liquide.

Remarque : Assurez-vous que les aliments mixés ont la bonne consistance (par exemple qu'il n'y a pas de grumeaux) avant de les servir.

Remarque : Si les aliments pour bébé sont trop solides, ajoutez du liquide (par ex. de l'eau) jusqu'à obtenir une consistance lisse et onctueuse.

- 5** Lorsque vous avez terminé, relâchez simplement le bouton de commande (fig. 18).
 ▶ Le bouton se replace automatiquement en position d'arrêt.

- 6** Enlevez la nourriture mixée du bol. Si nécessaire, utilisez la spatule fournie.

Assurez-vous que la température de la nourriture pour bébé n'est pas trop élevée.

- 7** Débranchez l'appareil.

- 8** Dans des conditions normales, il ne reste pas d'eau dans le réservoir d'eau à la fin de la cuisson. Cependant, dans certaines situations (par exemple si des dépôts de calcaire se sont formés dans le réservoir d'eau, si le processus de cuisson a été interrompu ou en cas d'utilisation accidentelle), il pourrait en rester un peu. Si c'est le cas, videz le réservoir d'eau complètement après utilisation pour éviter que des bactéries ne se développent. Pour détartrer le réservoir d'eau, reportez-vous au chapitre « Nettoyage et entretien ».

Mixage sans cuisson à la vapeur

Cet appareil est adapté dans les cas suivants :

- réduction en purée d'aliments cuits ou cuisinés à la vapeur
- mélange d'ingrédients liquides et de fruits pour les boissons pour bébé

L'appareil n'est pas conçu pour hacher des ingrédients durs tels que les glaçons et les morceaux de sucre.

Après avoir versé des liquides dans le bol, ne le mettez jamais en position de cuisson.

Remarque : Lorsque vous mélangez des liquides, assurez-vous de ne pas remplir le bol au-delà de l'indication de niveau maximal.

Remarque : Ne cuisez jamais à la vapeur la nourriture pour bébé une fois que vous l'avez mixée.

1 Placez l'ensemble lames sur son support dans le bol (fig. 5).

2 Coupez les ingrédients en petits morceaux (dés de 2-3 cm maximum) avant de les mettre dans le bol.

Conseil : Si vous devez mixer/hacher d'importantes quantités d'aliments solides, procédez par petites portions.

3 Placez les ingrédients dans le bol. (fig. 6)

Remarque : Ne dépassez pas le bord supérieur de l'ensemble lames vert.

4 Placez la soupape dans le couvercle (fig. 7).

Remarque : Assurez-vous que la soupape est correctement fixée.

5 Positionnez le filtre dans le couvercle du bol (clic) (fig. 8).

6 Placez le couvercle sur le bol et tournez-le dans le sens des aiguilles d'une montre pour le fixer. Veillez à ce que les picots du couvercle s'encastrent bien dans les rainures du bol. Assurez-vous que la grande projection du couvercle est placée au-dessus de la poignée du bol. (fig. 9)

7 Placez le bol en position verticale sur le bloc moteur, c'est-à-dire couvercle vers le haut. Assurez-vous que la poignée se trouve sur le côté droit et entre les deux encoches de la zone de verrouillage (fig. 16).

8 Mettez le bouton de commande sur la position de mixage. Maintenez le bouton dans cette position aussi longtemps que nécessaire mais pas plus de 30 secondes (fig. 17).

Remarque : Si les ingrédients s'accumulent sur les parois du bol, éteignez l'appareil et détachez-les à l'aide d'une spatule ou ajoutez un peu de liquide. Ne dépassez pas le niveau maximal indiqué sur le bol.

Remarque : Assurez-vous que les aliments mixés ont la bonne consistance (par exemple qu'il n'y a pas de grumeaux) avant de les servir.

Remarque : Si la nourriture pour bébé est trop épaisse, ajoutez un peu de liquide (par ex. de l'eau) jusqu'à ce qu'elle soit lisse et onctueuse. Ne dépassez pas le niveau maximal indiqué sur le bol.

Remarque : Ne cuisez jamais à la vapeur la nourriture pour bébé une fois que vous l'avez mixée.

Ne laissez pas l'appareil en position de mixage pendant plus de 30 secondes consécutives. Si vous avez besoin de plus de 30 secondes, éteignez l'appareil pendant quelques secondes. Si le bloc moteur devient chaud, laissez-le refroidir pendant quelques minutes avant de continuer.

9 Lorsque vous avez terminé, relâchez simplement le bouton de commande. (fig. 18)

▶ Le bouton se replace automatiquement en position d'arrêt.

10 Enlevez la nourriture mixée du bol. Si nécessaire, utilisez la spatule fournie.

Assurez-vous que la température de la nourriture pour bébé n'est pas trop élevée.

11 Débranchez l'appareil.

Ingrédients et temps de cuisson		
Type d'aliment	Ingrédients	Temps de cuisson approximatif*
Fruits	Pomme	5 min
	Oranges	10 min
	Pêche	10 min
	Poire	5 min
	Ananas	15 min
	Prune	10 min
Légumes	Asperges	10 min
	Brocoli	20 min
	Carotte	15 min
	Chou-fleur	15 min
	Céleri	15 min
	Courgette	15 min
	Fenouil	15 min
	Haricots verts	20 min
	Poireaux	15 min
	Oignon	15 min
	Pois	20 min
	Poivron	15 min
	Pomme de terre	20 min
	Citrouille	15 min
	Épinard	15 min
	Rutabaga	15 min
Patate douce	15 min	
Tomate	15 min	
Viande	Poulet, bœuf, agneau, porc, etc.	20 min
Poisson	Saumon, sole, cabillaud, truite, etc.	15 min

* Coupez tous les aliments en petits dés ne dépassant pas 2-3 cm.

Remarque : Le verre doseur indique les quantités en millilitres et les temps de cuisson à la vapeur correspondants en minutes (50 ml = 5 min, 100 ml = 10 min, 150 ml = 15 min, 200 ml = 20 min).

Nettoyage et entretien

Nettoyez l'appareil après chaque utilisation.

Ne plongez jamais le bloc moteur dans l'eau.

Ne versez jamais d'eau de javel ou de solutions/tablettes de stérilisation chimiques dans l'appareil.

N'utilisez jamais de tampons à récurer, de produits abrasifs ou de détergents agressifs tels que de l'essence, de l'acétone ou de l'alcool pour nettoyer l'appareil.

- 1** Débranchez l'appareil et retirez le bol du bloc moteur (fig. 19).
- 2** Enlevez le couvercle du bol et retournez le couvercle (fig. 20).
- 3** Enlevez le tamis et la soupape du couvercle. (fig. 21)
- 4** Nettoyez la soupape à l'eau chaude savonneuse et rincez-la sous le robinet.
- 5** Enlevez les couteaux du bol (fig. 22).
- 6** Rincez bien les couteaux sous le robinet immédiatement après utilisation. Rincez également l'intérieur du tube de l'ensemble lames (fig. 23).

Manipulez l'ensemble lames avec précaution : les lames sont très coupantes.

Remarque : Pour un nettoyage en profondeur, mettez les couteaux au lave-vaisselle après les avoir rincés.

- 7** Lavez immédiatement après utilisation les autres éléments ayant été en contact avec les aliments, à l'eau chaude savonneuse.

Remarque : Tous les éléments, à l'exception du bloc moteur, peuvent également être nettoyés au lave-vaisselle.

- 8** Si nécessaire, nettoyez le bloc moteur à l'aide d'un chiffon humide.
- 9** Vérifiez que des résidus d'aliments n'ont pas pénétré dans le réservoir d'eau. Pour cela, regardez par l'ouverture de remplissage si des résidus d'aliments s'y trouvent ou vérifiez que l'eau n'a pas une couleur insolite, ou encore une odeur désagréable ou de brûlé. Si c'est le cas, nettoyez le réservoir d'eau (voir la section « Nettoyage du réservoir d'eau » dans ce chapitre).
- 10** Laissez le couvercle de l'ouverture de remplissage ouvert pour éviter que des bactéries ne se développent.

Détartrage du réservoir d'eau

Si des résidus d'aliments pénètrent dans le réservoir d'eau, il est possible qu'ils se fixent à l'élément chauffant dans le réservoir d'eau lors des prochaines cuissons à la vapeur. Vous ne pouvez pas éliminer ces particules simplement en rinçant le réservoir d'eau.

En outre, pour garantir un fonctionnement optimal, détartrez l'appareil toutes les quatre semaines. Pour réduire la formation de dépôts de calcaire, utilisez de l'eau bouillie ou filtrée dans l'appareil. Pour éliminer des résidus d'aliments dans le réservoir d'eau et détartre l'appareil, suivez les instructions de détartage ci-dessous.

- 1** Assurez-vous que l'appareil est éteint.
- 2** Ajoutez 50 ml de vinaigre blanc (8 % d'acide acétique) pour 150 ml d'eau.

Remarque : Vous pouvez également utiliser des détartrants à base d'acide citrique. N'utilisez pas d'autres types de détartrant.

- 3** Versez la solution de vinaigre (ou d'acide citrique) et d'eau dans le réservoir d'eau.
- 4** Fermez le couvercle de l'orifice de remplissage.

42 FRANÇAIS

- 5 Placez le bol vide (sans nourriture à l'intérieur) entièrement assemblé, avec l'ensemble lames et le couvercle sur le bloc moteur, en position de cuisson à la vapeur (c'est-à-dire avec le couvercle orienté vers le bas).
- 6 Placez le bouton de commande sur la position de cuisson à la vapeur.
▶ Le voyant vapeur s'allume en orange pour indiquer que la cuisson est en cours.
- 7 Éteignez l'appareil au bout de 5-6 minutes de cuisson à la vapeur et débranche-le.
- 8 Videz la solution de vinaigre blanc (8 % d'acide acétique) et d'eau du réservoir d'eau (fig. 24).
- 9 Rincez soigneusement le réservoir d'eau et le bol à l'eau potable à plusieurs reprises.
- 10 Remplissez le réservoir avec 200 ml d'eau et mettez l'appareil en position vapeur pendant 20 minutes en laissant le bol vide avant de l'utiliser à nouveau pour la cuisson d'aliments.
- 11 Laissez le couvercle de l'ouverture de remplissage ouvert pour éviter que des bactéries ne se développent.

Recyclage

- Ce symbole signifie que ce produit ne doit pas être mis au rebut avec les ordures ménagères (2012/19/UE) (fig. 25).
- Respectez les réglementations de votre pays concernant la collecte séparée des appareils électriques et électroniques. La mise au rebut citoyenne permet de protéger l'environnement et la santé.

Rangement

- 1 Videz le réservoir d'eau avant de ranger l'appareil (fig. 24).
- 2 Nettoyez et séchez tous les éléments avant de ranger l'appareil (voir le chapitre « Nettoyage et entretien »).
- 3 Pour éviter tout dommage, rangez l'appareil avec les couteaux dans le bol.
- 4 Ne placez pas le couvercle sur le bol et ne fermez pas l'ouverture de remplissage afin d'éviter que des bactéries ne se développent.

Garantie et assistance

Si vous avez besoin d'une assistance ou d'informations supplémentaires, consultez le site Web www.philips.com/support ou lisez le dépliant séparé sur la garantie internationale.

Spécificités techniques

- Tension/puissance : référez-vous à la plaque signalétique qui se trouve sous l'appareil.
- Capacité maximale du réservoir d'eau : 200 ml.
- Capacité maximale du bol pour les liquides : 450 ml.
- Protection : système de chauffe à température maîtrisée et verrou de sécurité.

Dépannage

Cette rubrique présente les problèmes les plus courants que vous pouvez rencontrer avec votre appareil. Si vous ne parvenez pas à résoudre le problème à l'aide des informations ci-dessous, rendez-vous sur www.philips.com/support pour consulter les questions fréquemment posées, ou contactez le Service Consommateurs de votre pays.

Problème	Cause possible	Solution
L'appareil ne fonctionne pas.	L'appareil est équipé d'un verrou de sécurité qui l'empêche de fonctionner si les différents éléments n'ont pas été assemblés correctement sur le bloc moteur.	Assemblez correctement les différents éléments. Voir chapitre « Utilisation de l'appareil ».
Le voyant vapeur ne s'allume pas.	L'appareil n'est pas connecté au secteur.	Branchez le cordon d'alimentation sur la prise secteur.
	Le bol n'est pas placé correctement sur le bloc moteur.	Placez correctement le bol sur le bloc moteur.
	Vous souhaitez lancer un processus de cuisson à la vapeur tout de suite après le précédent.	Éteignez l'appareil et laissez-le refroidir quelques minutes avant de lancer un nouveau processus de cuisson à la vapeur.
Les ingrédients ne sont pas complètement réchauffés.	Les morceaux contenus dans le bol sont trop gros, il y a trop d'aliments dans le bol, ou vous ne les avez pas laissés cuire assez longtemps.	Coupez la nourriture plus petit (2-3 cm), diminuez la quantité de nourriture dans le bol ou sélectionnez un temps de cuisson plus long (maximum 20 minutes). Consultez le livret de recettes et/ou le tableau du chapitre « Ingrédients et temps de cuisson » pour vous assurer que vous sélectionnez un temps de cuisson correct pour les ingrédients que vous souhaitez cuire à la vapeur ou pour la recette que vous souhaitez préparer.
Impossible de mettre l'appareil en mode de cuisson à la vapeur.	Vous n'avez pas mis d'eau dans l'appareil.	Éteignez l'appareil et versez la bonne quantité d'eau.
	Vous n'avez pas correctement positionné le bol sur le bloc moteur.	Positionnez correctement le bol sur l'appareil (voir section « Cuisson à la vapeur » au chapitre « Utilisation de l'appareil »).
La cuisson à la vapeur est trop longue ou la fonction vapeur ne fonctionne pas du tout.	Le réservoir d'eau contient trop de calcaire.	Détartrez le réservoir d'eau. Reportez-vous à la section « Détartrage » du chapitre « Nettoyage et entretien ».

44 FRANÇAIS

Problème	Cause possible	Solution
De la vapeur s'échappe de l'orifice de remplissage.	Le couvercle de l'orifice de remplissage n'est pas correctement fermé.	Fermez le couvercle de l'ouverture de remplissage correctement (clic).
	La sortie vapeur sur le bloc moteur est bloquée par de la nourriture ou par du calcaire.	Nettoyez la sortie vapeur avec un objet pointu en veillant à ne pas endommager l'anneau et, à l'avenir, suivez les instructions de détartrage. Reportez-vous au chapitre « Nettoyage et entretien », section « Détartrage ».
	La sortie vapeur du couvercle est obstruée.	Enlevez la soupape et nettoyez bien la sortie vapeur du couvercle.
Le voyant vapeur se rallume une fois la cuisson terminée. Après un certain temps, l'appareil émet un bip.	Vous avez accidentellement laissé le bol sur le socle pendant plus de 10 minutes sans avoir éteint l'appareil.	Une fois la cuisson terminée, éteignez l'appareil dans un délai de 10 minutes, puis mixez les aliments ou retirez-les du bol.
Les couteaux ou le bloc moteur sont bloqués.	Vous avez placé trop d'aliments dans le bol.	Éteignez l'appareil et réduisez la quantité de nourriture. Ne remplissez pas le bol au-delà du bord supérieur de l'ensemble lames vert.
Une odeur désagréable se dégage du bloc moteur lors des premières utilisations.	Ce phénomène est normal.	Si l'odeur persiste, vérifiez si la quantité d'aliments mixés et la durée d'utilisation sont correctes. Reportez-vous au chapitre « Ingrédients et temps de cuisson ».
L'odeur persiste alors que je ne l'ai utilisé que quelques fois.	Vous avez placé trop d'aliments dans le bol ou les avez mixés pendant trop longtemps.	Mettez des plus petites quantités d'aliments et ne les mixez pas pendant plus de 30 secondes consécutives.
L'appareil est très bruyant, dégage une odeur désagréable, chauffe, dégage de la fumée, etc.	Vous avez placé trop d'aliments dans le bol.	Arrêtez l'appareil et mixez/hachez une portion moins importante.
	Vous faites fonctionner l'appareil trop longtemps sans interruption.	Ne faites pas fonctionner l'appareil pendant plus de 30 secondes consécutives.

Problème	Cause possible	Solution
Le couvercle du bol fuit.	Le couvercle n'est pas placé correctement sur le bol.	Placez le couvercle correctement sur le bol. Reportez-vous au chapitre « Utilisation de l'appareil ».
	Vous avez placé trop d'aliments dans le bol.	Arrêtez l'appareil et mixez/hachez une portion moins importante.
L'orifice du réservoir d'eau, le bol, le filtre et le couvercle présentent des taches blanches.	Du calcaire s'est formé sur ces éléments.	Ce phénomène est normal. Retirez le calcaire régulièrement. Reportez-vous au chapitre « Nettoyage et entretien ».
L'appareil fait du bruit et de la fumée s'en dégage pendant le mixage.	Le filtre n'est pas fixé au couvercle du bol.	Assurez-vous que le filtre est fixé au couvercle du bol.
L'eau du réservoir d'eau a une couleur insolite lorsque vous la videz ou lorsqu'elle pénètre dans le bol pendant la cuisson, ou elle a une odeur désagréable.	Des résidus d'aliments ont pénétré dans le réservoir d'eau pendant l'utilisation.	Nettoyez le réservoir d'eau selon les instructions du chapitre « Nettoyage et entretien », section « Nettoyage du réservoir d'eau ». Utilisez l'appareil en respectant rigoureusement les instructions. Veillez à ne pas trop remplir le réservoir d'eau (maximum 200 ml) et à ne pas placer trop de nourriture dans le bol (ne pas remplir le bol au-delà du bord supérieur de l'ensemble lames vert). Ne cuisez pas à la vapeur de mêmes ingrédients pendant plus de 20 minutes et ne versez pas d'eau directement dans le bol pour la cuisson à la vapeur. Assurez-vous également que la soupape est fixée au couvercle.
Une odeur de nourriture grillée ou brûlée émane du réservoir d'eau	Des résidus d'aliments ont pénétré dans le réservoir d'eau pendant l'utilisation et ont formé une croûte sur l'élément chauffant.	Nettoyez le réservoir d'eau selon les instructions du chapitre « Nettoyage et entretien », section « Nettoyage du réservoir d'eau ». Utilisez l'appareil en respectant rigoureusement les instructions. Veillez à ne pas trop remplir le réservoir d'eau (maximum 200 ml) et à ne pas placer trop de nourriture dans le bol (ne pas remplir le bol au-delà du bord supérieur de l'ensemble lames vert). Ne cuisez pas à la vapeur de mêmes ingrédients pendant plus de 20 minutes et ne versez pas d'eau directement dans le bol pour la cuisson à la vapeur. Assurez-vous également que la soupape est fixée au couvercle.

Problème	Cause possible	Solution
Il y a des taches sur la nourriture pour bébé ou l'eau dans le bol a une couleur insolite.	Des résidus d'aliments ont pénétré dans le réservoir d'eau pendant l'utilisation et ont formé une croûte sur l'élément chauffant. Ils ont ensuite pénétré dans le bol lors de la cuisson à la vapeur.	Nettoyez le réservoir d'eau selon les instructions du chapitre « Nettoyage et entretien », section « Nettoyage du réservoir d'eau ». Utilisez l'appareil en respectant rigoureusement les instructions. Veillez à ne pas trop remplir le réservoir d'eau (maximum 200 ml) et à ne pas placer trop de nourriture dans le bol (ne pas remplir le bol au-delà du bord supérieur de l'ensemble lames vert). Ne cuisez pas à la vapeur de mêmes ingrédients pendant plus de 20 minutes et ne versez pas d'eau directement dans le bol pour la cuisson à la vapeur. Assurez-vous également que la soupape est fixée au couvercle.

Uvod

Čestitamo na kupnji i dobro došli u Philips Avent! Kako biste u potpunosti iskoristili podršku koju nudi tvrtka Philips Avent, registrirajte svoj proizvod na www.philips.com/welcome. Ovaj kombinirani aparat za kuhanje na pari i miješalica posebno je pogodan za pripremanje malih količina hrane za bebu. Kombinirani aparat za kuhanje na pari i miješalica pomaže svim roditeljima u pripremi svježih obroka za bebe zahvaljujući jednostavnoj funkciji kuhanja na pari i miješanja kombiniranoj u jednom aparatu.

Opći opis (Sl. 1)

- 1 Poklopac s otvorom za paru
- 2 Sito
- 3 Jedinica s rezačima
- 4 Vrč s držačem jedinice s rezačima
- 5 Otvor za punjenje na spremniku za vodu
- 6 Izlaz za paru na jedinici motora
- 7 Područje za zaključavanje drške
- 8 Jedinica motora
- 9 Indikator kuhanja na pari
- 10 Regulator
- 11 Ventil
- 12 Lopatica
- 13 Mjerna šalica
- 14 Podnožje aparata s kabelom za napajanje

Važno!

Prije korištenja aparata pažljivo pročitajte ovaj korisnički priručnik i spremite ga za buduće potrebe.

Opasnost

- Jedinicu motora nikada nemojte uranjati u vodu ili neku drugu tekućinu i nemojte je ispirati pod vodom.

Upozorenje

- Prije ukopčavanja aparata provjerite odgovara li mrežni napon naveden na aparatu naponu lokalne mreže.
- Aparat nemojte koristiti ako su utikač, kabel za napajanje ili sam aparat oštećeni.
- Ako se kabel za napajanje ošteti, mora ga zamijeniti tvrtka Philips, ovlašteni Philips servisni centar ili neka druga kvalificirana osoba kako bi se izbjegle potencijalno opasne situacije.
- Ovaj aparat mogu koristiti osobe sa smanjenim fizičkim ili mentalnim sposobnostima te osobe koje nemaju dovoljno iskustva i znanja, pod uvjetom da su pod nadzorom ili da su primili upute u vezi rukovanja aparatom na siguran način te razumiju moguće opasnosti.
- Djeca ne smiju koristiti aparat. Aparat i njegov kabel napajanja držite izvan dohvata djece.

- Djeca se ne smiju igrati aparatom.
- Nemojte dodirivati rubove jedinice s rezačima dok je aparat ukopčan i tijekom čišćenja. Rubovi rezača vrlo su oštri.
- Ako se jedinica s rezačima zaglavi, najprije iskopčajte aparat, a zatim izvadite sastojke koji smetaju.
- Aparat se jako zagrijava tijekom kuhanja na pari pa se možete opeći ako ga dodirnete. Vrč podižite isključivo držeći ga za dršku.
- Pazite na vruću paru koja izlazi iz vrča prilikom kuhanja na pari ili uklanjanja poklopca.
- Pazite na vruću paru koja izlazi iz otvora za punjenje spremnika za vodu prilikom otvaranja poklopca.
- Kada proces kuhanja na pari završi, vruća para i dalje neko vrijeme izlazi iz izlaza za paru na jedinici motora i otvora za paru na poklopcu vrča. Pazite kada podižete vrč s jedinice motora.
- Ako se aparat ne koristi na odgovarajući način, vrela para može izaći iz otvora za punjenje. Informacije o izbjegavanju ili rješavanju ovog problema potražite u poglavlju Rješavanje problema.
- Aparat nikad ne smije raditi bez nadzora.
- Nemojte rastavljati jedinicu motora radi održavanja ili čišćenja. Odnosite je na popravak u ovlaštenu Philips servisni centar.

Pažnja

- Nemojte nikada koristiti dodatke ili dijelove drugih proizvođača ili proizvođača koje tvrtka Philips nije izričito preporučila. Ako koristite takve dodatke ili dijelove, vaše jamstvo prestaje vrijediti.
- Aparat nemojte stavljati na štednjak ili kuhalo koje radi ili je još uvijek vruće niti u njegovu blizinu.
- Prije čišćenja uvijek isključite aparat iz napajanja i ostavite ga da se ohladi.
- Vrč ili neki drugi dio aparata nikada ne koristite u mikrovalnoj pećnici jer metalni dijelovi drške vrča i jedinica s rezačima nisu za to predviđeni.
- Vrč ili neki drugi dio aparata nikada ne sterilizirajte u sterilizatoru ili mikrovalnoj pećnici jer metalni dijelovi drške vrča i jedinica s rezačima nisu za to predviđeni.
- Ovaj aparat namijenjen je isključivo uporabi u kućanstvu. Ako se koristi nepravilno ili se koristi u profesionalne ili poluprofesionalne svrhe te na način koji nije u skladu s uputama za uporabu, jamstvo prestaje vrijediti, a tvrtka Philips se odriče bilo kakve odgovornosti za prouzročenu štetu.

- Budite pažljivi prilikom izlivanja vruće tekućine u vrč jer vruće tekućine i para mogu prskati i uzrokovati opekotine.
- Ostavite aparat da se hladi 10 minuta prije kuhanja na pari nove skupine sastojaka.
- Aparat nije namijenjen sjeckanju tvrdih sastojaka poput kockica leda i šećera.
- Nemojte koristiti aparat za miješanje duže od 30 sekundi odjednom. Ako niste završili miješanje nakon 30 sekundi, isključite aparat i pričekajte nekoliko sekundi prije no što nastavite. Ako aparat postane vruć, ostavite ga da se hladi nekoliko minuta prije no što nastavite.
- Aparat stavite na stabilnu, vodoravnu i ravnu površinu. Oko aparata treba biti dovoljno slobodnog prostora kako bi se spriječila oštećenja ormarića ili drugih predmeta, jer aparat tijekom korištenja ispušta vruću paru.
- Nemojte koristiti aparat ako je pao na pod ili ima bilo kakvo oštećenje. Odnosite ga na popravak u ovlaštenu Philips servis.
- Kako biste izbjegli oštećenje aparata, u vrč za kuhanje na pari nikada nemojte stavljati vodu, druge tekućine ili pasiranu hranu.
- Funkciju pare nikada nemojte koristiti bez vode.
- Pazite da spremnik za vodu ne napunite previše (najviše 200 ml). Nemojte premašiti oznaku maksimalne razine naznačenu na mjernoj posudi.
- Kada sastojke kuhate na pari, pazite da vrč previše ne napunite. Pazite da gornji rub zelene jedinice s rezačima ne bude prekriven hranom (Sl. 2).
- Kada miješate tekućine, nemojte premašiti oznaku maksimalne razine naznačene na vrču (450 ml).
- Nemojte umetati nikakve predmete u otvor za punjenje ili izlaz za paru.
- Spremnik za vodu nikada nemojte nadopunjavati tijekom kuhanja na pari jer iz aparata mogu izaći vruća voda i para.
- Obavezno provjerite je li se poklopac ohladio nakon kuhanja na pari prije no što ga otvorite kako biste dodali još sastojaka za miješanje u slučaju da je to potrebno.
- Ne spajajte aparat na vanjski uređaj za uključivanje i isključivanje poput mjerača vremena niti na strujni krug koji se programirano uključuje i isključuje. Tako ćete izbjeći potencijalno opasne situacije nastale zbog slučajnog ponovnog postavljanja toplinskog osigurača.
- Prije hranjenja bebe uvijek provjerite temperaturu hrane na dlanu.
- Uvijek provjerite gustoću hrane za bebu. Pazite da u hrani ne bude velikih komada.

- Kada proces kuhanja na pari završi (najviše 20 minuta), dječju hranu nemojte ponovno kuhati na pari ili podgrijavati.
- Koristite isključivo priloženu lopaticu kako biste uklonili hranu iz vrča.
- Redovitim uklanjanjem kamenca sprječava se oštećenje aparata.
- Isključite aparat i iskopčajte ga iz napajanja prije zamjene dodataka ili približavanja dijelovima koji se tijekom upotrebe kreću.
- Budite pažljivi prilikom rukovanja oštrim rezačima dok praznite vrč i tijekom čišćenja.
- Obavezno iskopčajte uređaj iz napajanja ako ga ostavljate bez nadzora.
- Djeca ne smiju čistiti aparat niti ga održavati.
- Razina buke: $L_c = 89 \text{ dB (A)}$.

Sigurnosni sustav

Aparat ima ugrađen sigurnosni sustav. Aparat radi samo ako sve dijelove pravilno spojite na jedinicu motora. Ako se svi dijelovi pravilno spoje, ugrađeni sigurnosni mehanizam će se otključati. Aparat je opremljen i zaštitom od pregrijavanja. Do pregrijavanja može doći ako je vrijeme između dva kuhanja na pari prekratko, ako se funkcija miješanja predugo koristi ili ako u vrču ima previše sastojaka. Ako zaštita od pregrijavanja isključi aparat tijekom korištenja, postavite regulator na 0 i ostavite uređaj da se hladi nekoliko minuta. Nakon toga aparat možete ponovno koristiti.

Elektromagnetska polja (EMF)

Ovaj aparat tvrtke Philips sukladan je svim primjenjivim standardima i propisima koji se tiču izloženosti elektromagnetskim poljima.

Prije prvog korištenja

- 1** Uklonite svu ambalažu s aparata.
- 2** Očistite sve dijelove osim jedinice motora (pogledajte poglavlje "Čišćenje i održavanje").

Korištenje aparata

Prije hranjenja bebe uvijek provjerite temperaturu hrane na dlanu.

Provjerite je li se poklopac nakon kuhanja na pari ohladio prije nego što ga skinete radi dodavanja sastojaka za miješanje, ako je to potrebno. Nemojte premašivati maksimalnu razinu naznačenu na vrču.

Ispraznite spremnik s vodom prije ponovnog punjenja i novog kuhanja na pari.

Gornji rub zelene jedinice s rezačima ne smije biti prekriven hranom kada počnete s kuhanjem na pari.

Prilikom miješanja tekućina nemojte premašiti maksimalnu razinu naznačenu na vrču (450 ml).

Ovaj aparat namijenjen je kuhanju na pari svježih krutih sastojaka te njihovog miješanja kako bi se dobila dječja hrana. Neke primjere potražite u knjižici s receptima. Sastojke obično najprije skuhate na pari, a zatim ih izmiješate. Međutim, aparat možete koristiti i samo za kuhanje na pari ili miješanje. Kada aparat koristite samo za miješanje, preskočite odjeljke "Punjenje spremnika za vodu" i "Kuhanje na pari" i slijedite samo upute u odjeljku "Miješanje". Nemojte kuhati na pari već miješanu hranu. Istu skupinu sastojaka nemojte kuhati na pari duže od 20 minuta niti više puta.

Aparat NIJE namijenjen:

- odmrzavanju hrane
- kuhanju na pari smrznute hrane
- kuhanju na pari već pomiješane hrane

- kuhanju na pari istih sastojaka više od 20 minuta
- kuhanju riže i tjestenine
- miješanju sastojaka pa potom kuhanju na pari
- zagrijavanju tekućina, npr. juhe ili vode
- održavanju hrane toplom nekoliko sati
- podgrijavanju hrane

Punjenje spremnika za vodu

1 Mjernu posudu napunite vodom do odgovarajuće razine (Sl. 3).

Na mjernoj posudi prikazani su mililitri i odgovarajuće vrijeme kuhanja na pari u minutama. Preporučene količine za uključene recepte potražite u zasebnoj knjižici s receptima.

Napomena: Nemojte premašivati maksimalnu razinu naznačenu na mjernoj posudi (200 ml) kako ne biste previše napunili spremnik za vodu.

Napomena: Savjetujemo da ne koristite mineralnu vodu jer minerali u takvoj vodi uzrokuju nakupljanje kamenca unutar spremnika za vodu.

2 Izlijte vodu kroz otvor za punjenje i zatvorite poklopac (Sl. 4).

Napomena: U spremnik za vodu stavljajte samo vodu.

Kuhanje na pari

Ako se određeno povrće i voće kratko kuha na pari, savršeno je za bebe koje počinju jesti krutu hranu. Kuhanje na pari najzdraviji je način pripreme hrane jer ona tako zadržava mnogo vitamina i drugih zdravih sastojaka.

Napomena: Recepte i vrijeme kuhanja za te recepte možete pronaći u zasebnoj knjižici s receptima. Napominjemo kako recepti ovise o starosti djeteta.

Napomena: Nemojte na pari kuhati smrznute sastojke jer aparat ne može ugrijati smrznutu hranu na temperaturu potrebnu za kuhanje na pari. Uvijek odmrznite smrznute krute sastojke prije kuhanja na pari u aparatu. Otrесite višak vode sa odmrznutih sastojaka prije nego što ih stavite u vrč.

1 Postavite jedinicu s rezačima na držač jedinice s rezačima u vrču (Sl. 5).

2 Krute sastojke izrežite na male dijelove (kocke do 2-3 cm) prije nego što ih stavite u vrč.

Napomena: Nemojte obrađivati veću količinu krutih sastojaka u isto vrijeme. Umjesto toga, sastojke podijelite na manje količine.

3 Stavite sastojke u posudu (Sl. 6).

Napomena: Nemojte premašivati gornji rub zelene jedinice s rezačima.

Napomena: Nemojte stavljati vodu ili neku drugu tekućinu u vrč za kuhanje na pari kako biste izbjegli oštećivanje aparata.

4 Stavite ventil u poklopac (Sl. 7).

Napomena: Pazite da ventil bude dobro fiksiran.

5 Stavite sito u poklopac vrča ("klik") (Sl. 8).

6 Stavite poklopac na vrh i okrenite ga u smjeru kazaljke na satu kako biste ga pričvrstili. Mali izbočeni dijelovi na poklopcu trebaju uleći u proreze na vrču. Provjerite je li veći izbočeni dio točno iznad drške vrča (Sl. 9).

7 Vrč stavite naopako na jedinicu motora, tj. tako da poklopac bude okrenut prema dolje. Pazite da drška bude na desnoj strani i da bude ispravno pričvršćena (Sl. 10).

Napomena: Aparat neće početi s kuhanjem na pari ako vrč i drška nisu u ispravnom položaju.

8 Okrenite regulator u položaj za kuhanje na pari.

▶ Indikator kuhanja na pari svijetli narančasto naznačujući da aparat proizvodi paru (Sl. 11).

Vruća para ili vruća voda mogu vam opeći prste. Nemojte dodirivati i nikada nemojte dopustiti da djeca dodiruju vruće dijelove i paru jer to može uzrokovati opekline (Sl. 12).

▶ Vrijeme kuhanja na pari ovisi o količini vode koju ste stavili u spremnik za vodu.

Pogledajte tablicu u poglavlju “Sastojci i vrijeme kuhanja na pari” i knjižicu s receptima.

▶ Kada kuhanje na pari završi, aparat će početi zujati, a indikator kuhanja na pari će se isključiti.

9 Postavite regulator u položaj za isključivanje. Pričekajte 2 minute dok para ne prestane izlaziti iz izlaza za paru kako biste izbjegli opekline uzrokovane vrućom parom. (Sl. 13)

Napomena: Ako želite na pari kuhati još jednu seriju sastojaka, ostavite aparat da se hladi 10 minuta prije nego što ponovno počnete s kuhanjem.

10 Ako želite nastaviti s miješanjem kuhane hrane, slijedite upute u odjeljku “Miješanje nakon kuhanja na pari” u daljnjem tekstu.

11 U normalnim uvjetima voda ne ostaje u spremniku za vodu nakon kuhanja na pari.

Međutim, u nekim situacijama (npr. u slučaju nakupljenog kamenca u spremniku za vodu, prekida procesa kuhanja na pari ili neispravnog korištenja aparata), može ostati vode u spremniku za vodu. U tom slučaju potpuno ispraznite spremnik za vodu nakon korištenja kako biste spriječili razvoj bakterija. Upute za uklanjanje kamenca iz spremnika za vodu potražite u poglavlju “Čišćenje i održavanje”.

Miješanje nakon kuhanja na pari

1 Uхватite dršku vrča i podignite vrč s jedinice motora. Okrenite vrč i protresite ga kako bi hrana pala na rezače (Sl. 14).

Dodirujte samo dršku vrča. Poklopac, podnožje i vanjska površina vrča su vrući (Sl. 15).

2 Ako je potrebno, skinite poklopac i dodajte dodatne sastojke za miješanje (npr. vodu ili ulje).

Nakon kuhanja na pari obavezno provjerite jesu li se poklopac vrča i poklopac spremnika za vodu ohladili prije nego što ih otvorite radi dodavanja sastojaka u vrč ili izlivanje preostale vode iz spremnika za vodu.

Kada stavite tekućine u vrč, nemojte ga stavljati u položaj za kuhanje na pari.

3 Vrč postavite na jedinicu motora u uspravnom položaju, tj. tako da poklopac bude okrenut prema gore. Pazite da drška bude na desnoj strani i da se nalazi između dvije izbočine na području za zaključavanje (Sl. 16).

4 Okrenite regulator u položaj za miješanje. Ostavite regulator u tom položaju dok se hrana ne izmiješa (Sl. 17).

Nemojte koristiti aparat za miješanje duže od 30 sekundi odjednom. Ako niste završili miješanje nakon 30 sekundi, isključite aparat i pričekajte nekoliko sekundi prije no što nastavite. Ako aparat postane vruć, ostavite ga da se hladi nekoliko minuta prije no što nastavite.

Napomena: Ako se sastojci zalijepe za stjenku vrča, isključite aparat i odlijepite ih lopaticom ili dodajte malo tekućine.

Napomena: Prije posluživanja provjerite je li izmiješana hrana za bebu odgovarajuće gustoće (npr. nema grudica).

Napomena: Ako je hrana za bebu još uvijek previše gusta, dodajte tekućinu (npr. vode) dok hrana ne postane meka i glatka.

5 Kada završite miješanje, jednostavno otpustite regulator (Sl. 18).

► Regulator se automatski vraća u položaj za isključivanje.

6 Izvadite izmiješanu hranu iz vrča. Ako je potrebno, koristite priloženu lopaticu.

Provjerite odgovara li temperatura hrane vašoj bebi.

7 Iskopčajte aparat.

8 U normalnim uvjetima voda ne ostaje u spremniku za vodu nakon kuhanja na pari. Međutim, u nekim situacijama (npr. u slučaju nakupljenog kamenca u spremniku za vodu, prekida procesa kuhanja na pari ili neispravnog korištenja aparata), može ostati vode u spremniku za vodu. U tom slučaju potpuno ispraznite spremnik za vodu nakon korištenja kako biste spriječili razvoj bakterija. Upute za uklanjanje kamenca iz spremnika za vodu potražite u poglavlju "Čišćenje i održavanje".

Miješanje bez prethodnog kuhanja na pari

Aparat je namijenjen:

- pasiranju na pari kuhanih i kuhanih sastojaka za hranu za bebu
- miješanje tekućina i voća za pića za bebu

Aparat nije namijenjen sjeckanju tvrdih sastojaka poput kockica leda i šećera.

Kada stavite tekućine u vrč, nemojte ga stavljati u položaj za kuhanje na pari.

Napomena: Prilikom miješanja tekućina pazite da ne napunite vrč iznad maksimalne razine naznačene na vrču.

Napomena: Nemojte kuhati na pari dječju hranu koju ste prethodno miješali.

1 Postavite jedinicu s rezačima na držač jedinice s rezačima u vrču (Sl. 5).

2 Krute sastojke izrežite na male dijelove (kocke do 2-3 cm) prije nego što ih stavite u vrč.

Savjet: Nemojte obrađivati veću količinu krutih sastojaka u isto vrijeme. Umjesto toga, sastojke podijelite na manje količine.

3 Stavite sastojke u posudu. (Sl. 6)

Napomena: Nemojte premašivati gornji rub zelene jedinice s rezačima.

4 Stavite ventil u poklopac (Sl. 7).

Napomena: Pazite da ventil bude dobro fiksiran.

5 Stavite sito u poklopac vrča ("klik") (Sl. 8).

6 Stavite poklopac na vrh i okrenite ga u smjeru kazaljke na satu kako biste ga pričvrstili. Mali izbočeni dijelovi na poklopcu trebaju uleći u proreze na vrču. Provjerite je li veći izbočeni dio točno iznad drške vrča. (Sl. 9)

7 Vrč postavite na jedinicu motora u uspravnom položaju, tj. tako da poklopac bude okrenut prema gore. Pazite da drška bude na desnoj strani i da se nalazi između dvije izbočine na području za zaključavanje (Sl. 16).

8 Okrenite regulator u položaj za miješanje. Držite regulator u tom položaju koliko je potrebno, ali ne duže od 30 sekundi (Sl. 17).

Napomena: Ako se sastojci zalijepe za stjenke vrča, isključite aparat i zalijepljene sastojke ostružite lopaticom ili dodajte malo tekućine. Nemojte premašivati maksimalnu razinu naznačenu na vrču.

Napomena: Prije posluživanja provjerite je li izmiješana hrana za bebu odgovarajuće gustoće (npr. nema grudica).

Napomena: Ako je hrana za bebu još uvijek previše gusta, dodajte tekućinu (npr. vode) dok hrana ne postane meka i glatka. Nemojte premašivati maksimalnu razinu naznačenu na vrču.

Napomena: Nemojte kuhati na pari dječju hranu koju ste prethodno miješali.

Nemojte koristiti aparat za miješanje duže od 30 sekundi odjednom. Ako niste završili miješanje nakon 30 sekundi, isključite aparat i pričekajte nekoliko sekundi prije nego što nastavite. Ako se jedinica motora zagrije, ostavite je da se hladi nekoliko minuta prije nego što nastavite.

9 Kada završite miješanje, jednostavno otpustite regulator. (Sl. 18)

► Regulator se automatski vraća u položaj za isključivanje.

10 Izvadite izmiješanu hranu iz vrča. Ako je potrebno, koristite priloženu lopaticu.

Provjerite odgovara li temperatura hrane vašoj bebi.

11 Iskopčajte aparat.

Sastojci i vrijeme kuhanja na pari

Vrsta hrane	Namirnica	Približno vrijeme kuhanja na pari*
Voće	Jabuka	5 min
	Naranče	10 min
	Breskva	10 min
	Kruška	5 min
	Ananas	15 min
	Šljiva	10 min
Povrće	Šparoge	10 min
	Brokula	20 min
	Mrkva	15 min
	Cvjetača	15 min
	Celer	15 min
	Tikvica	15 min
	Komorač	15 min
	Mahune	20 min
	Poriluk	15 min
	Luk	15 min
	Grašak	20 min
	Papar	15 min
	Krumpir	20 min
	Bundeve	15 min
	Špinat	15 min
Repa	15 min	

Vrsta hrane	Namirnica	Približno vrijeme kuhanja na pari*
	Slatki krumpir	15 min
	Rajčica	15 min
Meso	Piletina, govedina, janjetina, svinjetina itd.	20 min
Riba	Losos, list, bakalar, pastrva itd.	15 min

* Sva se hrana mora narezati na male kocke, ne veće od 2-3 cm.

Napomena: Na mjernoj posudi prikazani su mililitri i odgovarajuće vrijeme kuhanja na pari u minutama (50 ml = 5 min, 100 ml = 10 min, 150 ml = 15 min, 200 ml = 20 min).

Čišćenje i održavanje

Očistite aparat nakon svake uporabe.

Nikada ne uranjajte jedinicu motora u vodu.

Nikada nemojte stavljati izbjeljivač ili otopine/tablete za kemijsku sterilizaciju u aparat.

Za čišćenje aparata nikada nemojte koristiti spužvice za ribanje, abrazivna sredstva za čišćenje ili agresivne tekućine poput benzina, acetona ili alkohola.

- 1 Iskopčajte aparat i odvojite vrč od jedinice motora (Sl. 19).
- 2 Skinite poklopac s vrča i okrenite ga naopako (Sl. 20).
- 3 Skinite sito i ventil s poklopca. (Sl. 21)
- 4 Ventil operite u vrućoj vodi s malo sredstva za pranje posuđa i isperite ga pod mlazom vode.
- 5 Izvadite jedinicu s rezačima iz vrča (Sl. 22).
- 6 Rezače temeljito operite vodom iz slavine, neposredno nakon korištenja. Svakako isperite unutrašnjost jedinice s rezačima (Sl. 23).

Vrlo pažljivo rukujte jedinicom s rezačima. Bridovi oštrice su vrlo oštri.

Napomena: Ako želite temeljitije očistiti rezače, nakon ispiranja možete ih staviti u stroj za pranje posuđa.

- 7 Dijelove koji su bili u kontaktu s hranom uvijek perite vrućom vodom i sredstvom za pranje posuđa neposredno nakon korištenja.

Napomena: Svi dijelovi osim jedinice motora mogu se prati u stroju za pranje posuđa.

- 8 Ako je potrebno, jedinicu motora očistite vlažnom krpom.
- 9 Provjerite ima li čestica hrane u spremniku za vodu. To možete napraviti tako da pogledate kroz otvor za punjenje i provjerite ima li unutra čestica hrane ili provjerite je li voda neobične boje te tako da pomirišete proizvodi li spremnik za vodu neugodan miris ili miris zagorene hrane. U tom slučaju očistite spremnik za vodu (pogledajte odjeljak "Čišćenje spremnika za vodu" u ovom poglavlju).
- 10 Ostavite poklopac otvora za punjenje otvoren kako biste spriječili razvoj bakterija.

Uklanjanje kamenca iz spremnika za vodu

Ako čestice hrane dospiju u spremnik za vodu, mogu se zalijepiti na grijaći element u spremniku za vodu prilikom sljedećeg kuhanja na pari. Te čestice ne mogu se ukloniti jednostavnim ispiranjem spremnika za vodu.

Morate i uklanjati kamenac iz aparata svaka četiri tjedna kako biste osigurali 100% učinkovit rad.

Za smanjenje nakupljanja kamenca korisno je koristiti prethodno prokuhanu ili filtriranu vodu.

Za uklanjanje čestica hrane iz spremnika za vodu i uklanjanje kamenca iz aparata slijedite upute za uklanjanje kamenca navedene u nastavku.

- 1** Provjerite je li aparat isključen.
- 2** Dodajte 50 ml bijelog octa (8 % octene kiseline) u 150 ml vode.
Napomena: Možete koristiti i sredstva za uklanjanje kamenca na bazi limunske kiseline. Nemojte koristiti druge vrste sredstava za uklanjanje kamenca.
- 3** Napunite spremnik za vodu otopinom od octa (ili limunske kiseline) i vode.
- 4** Zatvorite poklopac otvora za punjenje.
- 5** Stavite prazni vrč (bez hrane) potpuno sastavljen, s jedinicom s rezačima i poklopcem na jedinici motora, u položaj za kuhanje na pari (tj. s poklopcem okrenutim prema dolje).
- 6** Okrenite regulator u položaj za kuhanje na pari.
▶ Indikator kuhanja na pari svijetli narančasto naznačujući da aparat proizvodi paru.
- 7** Isključite aparat nakon 5-6 minuta i iskopčajte ga.
- 8** Iskorištenu otopinu bijelog octa (8 % octene kiseline) i vode izlijte iz spremnika za vodu (Sl. 24).
- 9** Temeljito nekoliko puta isperite spremnik za vodu i vrč svježom vodom.
- 10** Prije sljedećeg pripremanja hrane u aparatu napunite spremnik s 200 ml vode i ostavite aparat da izvrši jedan cijeli ciklus od 20 minuta kuhanja na pari s praznim vrčem.
- 11** Ostavite poklopac otvora za punjenje otvoren kako biste spriječili razvoj bakterija.

Recikliranje

- Ovaj simbol naznačuje da se proizvod ne smije odlagati s uobičajenim otpadom iz kućanstva (2012/19/EU) (Sl. 25).
- Slijedite propise svoje države o zasebnom prikupljanju električnih i elektroničkih proizvoda. Ispravno odlaganje pomaže u sprječavanju negativnih posljedica za okoliš i ljudsko zdravlje.

Spremanje

- 1** Prije spremanja aparata ispraznite spremnik za vodu (Sl. 24).
- 2** Provjerite jesu li svi dijelovi čisti i suhi prije spremanja aparata (pogledajte poglavlje 'Čišćenje i održavanje').
- 3** Spremite aparat s rezačima u vrču kako bi se spriječilo oštećenje.
- 4** Nemojte stavljati poklopac na vrč i ostavite poklopac otvora za punjenje otvorenim kako biste izbjegli razvoj bakterija.

Jamstvo i podrška

Ako trebate informacije ili podršku, posjetite www.philips.com/support ili pročitajte zasebni međunarodni jamstveni list.

Tehnički podaci

- Napon/snaga: pogledajte pločicu na donjem dijelu aparata.
- Maksimalni kapacitet spremnika: 200 ml.
- Maksimalni kapacitet vrča, tekućine: 450 ml.
- Zaštita: sustav zagrijavanja s kontrolom temperature i sigurnosna brava.

Rješavanje problema

U ovom poglavlju opisani su najčešći problemi s kojima biste se mogli susresti prilikom uporabe aparata. Ako problem ne možete riješiti pomoću informacija u nastavku, posjetite www.philips.com/support kako biste pronašli popis čestih pitanja ili kontaktirajte centar za potrošače u svojoj državi.

Problem	Mogući uzrok	Rješenje
Aparat ne radi.	Aparat ima sigurnosni mehanizam. Ako se dijelovi pravilno ne pričvrste na jedinicu motora, aparat neće raditi.	Pravilno pričvrstite sve dijelove. Pogledajte poglavlje "Korištenje aparata".
Indikator pare se ne uključuje.	Aparat nije priključen na mrežno napajanje. Vrč nije pravilno postavljen na jedinicu motora.	Utikač uključite u zidnu utičnicu. Pravilno postavite vrč na jedinicu motora.
	Pokušavate započeti drugi ciklus kuhanja na pari neposredno nakon završetka prvog.	Isključite aparat i ostavite ga da se hladi nekoliko minuta prije nego što počnete drugi ciklus kuhanja na pari.
Sastojci se nisu potpuno zagrijali.	Komadi u vrču su preveliki, u vrču je previše hrane ili hranu niste dovoljno dugo kuhali na pari.	Izrežite hranu na manje komade (2-3 cm), smanjite količinu hrane u vrču ili odaberite duže vrijeme kuhanja na pari (najviše 20 minuta). Pogledajte knjižicu s receptima i/ili tablicu u poglavlju "Sastojci i vrijeme kuhanja na pari" kako biste provjerili jeste li odabrali ispravno vrijeme kuhanja na pari za sastojke koje želite kuhati i recept koji želite pripremiti.
Aparat ne proizvodi paru.	Niste ulili vodu u aparat. Vrč niste stavili na jedinicu motora u pravilnom položaju.	Isključite aparat i ulijte odgovarajuću količinu vode. Stavite vrč na aparat u pravilnom položaju (pogledajte odjeljak "Kuhanje na pari" u poglavlju "Korištenje aparata").
Kuhanje na pari predugo traje ili funkcija pare uopće ne radi.	U spremniku za vodu previše je kamenca.	Uklonite kamenac iz spremnika za vodu. Pogledajte poglavlje "Čišćenje i održavanje", odjeljak "Uklanjanje kamenca".

Problem	Mogući uzrok	Rješenje
Para izlazi iz otvora za punjenje.	Poklopac otvora za punjenje nije ispravno zatvoren.	Dobro zatvorite poklopac otvora za punjenje ("klik").
	Izlaz za paru na jedinici motora je začepljen hranom ili kamenem.	Izlaz za paru očistite zašiljenim predmetom te pazite da ne oštetite brtvu i ubuduće pratite upute za uklanjanje kamenca. Pogledajte poglavlje "Čišćenje i održavanje", odjeljak "Uklanjanje kamenca".
Indikator kuhanja na pari ponovo se uključuje nakon završetka kuhanja na pari. Nakon određenog vremena ponovo se uključuje zujalica.	Otvor za paru na poklopcu je začepljen.	Skinite ventil i dobro očistite otvor za paru u poklopcu.
	Vrč ste slučajno ostavili na postolju duže od 10 minuta bez isključivanja uređaja.	Isključite uređaj najkasnije 10 minuta nakon završetka kuhanja na pari i zatim izmiješajte hranu ili je izvadite iz vrča.
Rezač ili jedinica motora je blokirana.	U vrču je previše hrane.	Isključite aparat i skuhaite manju količinu hrane. Nemojte napuniti vrč iznad gornjeg ruba zelene jedinice s rezačima.
Iz jedinice motora osjeća se neugodan miris prilikom prvih nekoliko uporaba.	To je potpuno normalno.	Ako se taj neugodan miris osjeti i nakon nekoliko uporaba, provjerite koristite li točne količine i vrijeme pripremanja. Pogledajte poglavlje "Sastojci i vrijeme kuhanja na pari".
Neugodan miris osjeti se nakon nekoliko uporaba.	Stavili ste previše hrane u vrč ili ste ostavili aparat da predugo miješa.	Obrađujte manje količine i nemojte ostavljati aparat da odjednom radi duže od 30 sekundi.
Aparat je vrlo bučan, osjeća se neugodan miris, vruć je na dodir, pojavljuje se dim itd.	U vrču je previše hrane.	Isključite aparat i smanjite količinu sastojaka.
	Ostavili se aparat da radi predugo bez prekida.	Aparat ne smije miješati duže od 30 sekundi odjednom.
Poklopac vrča curi.	Niste pravilno stavili poklopac na vrč.	Pravilno stavite poklopac na vrč. Pogledajte poglavlje "Korištenje aparata".
	U vrču je previše hrane.	Isključite aparat i smanjite količinu sastojaka.

Problem	Mogući uzrok	Rješenje
Na otvoru za punjenje i/ili vrču, situ i poklopcu nalaze se bijele točke.	Na tim dijelovima nakupio se kamenac.	To je normalno. Povremeno uklanjajte kamenac. Pogledajte poglavlje "Čišćenje i održavanje", odjeljak "Uklanjanje kamenca".
Aparat stvara buku prilikom miješanja.	Sito nije pričvršćeno na poklopac vrča.	Provjerite je li sito pričvršćeno na poklopac vrča.
Voda u spremniku za vodu neobične je boje kada je izlijete iz spremnika za vodu ili kada uđe u vrč tijekom kuhanja na pari, ili voda u spremniku za vodu ima neugodan miris.	U spremnik za vodu su tijekom korištenja ušle čestice s hranom.	Očistite spremnik za vodu prema uputama u poglavlju "Čišćenje i održavanje", odjeljak "Čišćenje spremnika za vodu". Koristite aparat strogo prateći upute. Spremnik za vodu nemojte previše napuniti (najviše 200 ml) i u vrč nemojte stavljati previše hrane (nemojte ga napuniti iznad gornje oznake zelene jedinice s rezačima). Nemojte kuhati na pari iste sastojke više od 20 minuta i nemojte stavljati vodu za kuhanje na pari izravno u vrč. Provjerite i je li ventil pričvršćen na poklopcu.
Iz spremnika za vodu izlazi miris hrane pečene na roštilju ili zagorene hrane	Čestice hrane ušle su u spremnik za vodu i zalijepile se na element za zagrijavanje.	Očistite spremnik za vodu prema uputama u poglavlju "Čišćenje i održavanje", odjeljak "Čišćenje spremnika za vodu". Koristite aparat strogo prateći upute. Spremnik za vodu nemojte previše napuniti (najviše 200 ml) i u vrč nemojte stavljati previše hrane (nemojte ga napuniti iznad gornje oznake zelene jedinice s rezačima). Nemojte kuhati na pari iste sastojke više od 20 minuta i nemojte stavljati vodu za kuhanje na pari izravno u vrč. Provjerite i je li ventil pričvršćen na poklopcu.
U dječjoj hrani ima tamnih mrlja ili je voda u vrču neobične boje.	Čestice hrane ušle su u spremnik za vodu i zalijepile se na element za zagrijavanje. Zbog toga ostaci čestica hrane ulaze u vrč tijekom kuhanja na pari.	Očistite spremnik za vodu prema uputama u poglavlju "Čišćenje i održavanje", odjeljak "Čišćenje spremnika za vodu". Koristite aparat strogo prateći upute. Spremnik za vodu nemojte previše napuniti (najviše 200 ml) i u vrč nemojte stavljati previše hrane (nemojte ga napuniti iznad gornje oznake zelene jedinice s rezačima). Nemojte kuhati na pari iste sastojke više od 20 minuta i nemojte stavljati vodu za kuhanje na pari izravno u vrč. Provjerite i je li ventil pričvršćen na poklopcu.

Bevezetés

Köszönjük, hogy Philips Avent terméket vásárolt! A Philips Avent által biztosított teljes körű támogatáshoz regisztrálja termékét a www.philips.com/welcome oldalon. Ez a kombinált pároló és turmixgép különösen alkalmas kis mennyiségű bébiétel készítésére. A kombinált pároló és turmixgép segítséget nyújt a szülőknek abban, hogy friss bébiételt készíthessenek gyermeküknek egyszerűen a két funkció egymás utáni használatával.

Általános leírás (ábra 1)

- 1 Fedél gőzfurattal
- 2 Szűrő
- 3 Aprítókés
- 4 Turmixkehely késtartóval
- 5 A víztartály betöltőnyílása
- 6 Gőzkivezetés a motoregységen
- 7 Zárórész a fogóhoz
- 8 Motoregység
- 9 Párolást jelző fény
- 10 Kezelőgomb
- 11 Szelep
- 12 Lapát
- 13 Mérőpohár
- 14 A készülék alja tápvezetékekkel

Fontos!

A készülék első használata előtt figyelmesen olvassa el a használati útmutatót, és őrizze meg későbbi használatra.

Vigyázat!

- Ne merítse a motoregységet vízbe, vagy más folyadékba és ne öblítse le folyóvízzel sem.

Figyelmeztetés

- A készülék csatlakoztatása előtt ellenőrizze, hogy a rajta feltüntetett feszültség egyezik-e a helyi hálózatával.
- Ne használja a készüléket, ha a hálózati csatlakozódugó, a kábel vagy a készülék sérült.
- Ha a hálózati kábel meghibásodik, a kockázatok elkerülése érdekében Philips szakszervizben vagy hivatalos szakszervizben ki kell cserélni.
- A készüléket csökkent fizikai, érzékelési vagy szellemi képességekkel rendelkező, vagy a készülék működtetésében járatlan személyek is használhatják, amennyiben ezt felügyelet mellett teszik, illetve ismerik a készülék biztonságos működtetésének módját és az azzal járó veszélyeket.
- A készüléket gyermekek nem használhatják. A készüléket és a tápkábelt egyaránt tartsa gyermekektől távol.
- Ne engedje, hogy gyermekek játsszanak a készülékkel.

- Ne érintse meg az aprítókés vágóéleit tisztítás közben, illetve, ha a készülék csatlakoztatva van. A vágóélek nagyon élesek.
- Ha az aprítókés beszorul, az elakadást okozó anyagok eltávolítása előtt húzza ki a készülék hálózati dugóját a fali aljzatból.
- A készülék párolás közben nagyon forró, ezért ne érintse meg, mert megégetheti magát. A turmixkelyhet kizárólag a fogónál fogja meg.
- Párolás közben és a fedél levételekor a turmixkehelyből forró gőz távozik.
- A fedél levételekor a víztartály betöltőnyílásából forró gőz távozik.
- A párolást követően egy ideig továbbra is távozik forró gőz a motoregységen lévő gőzszelepen és a turmixkehely fedelén található gőzfuraton át. Óvatosan emelje le a turmixkelyhet a motoregységről.
- A készülék helytelen használata esetén a betöltőnyílásnál forró gőz távozhat. Ennek elkerülése érdekében tanulmányozza át a „Hibaelhárítás” fejezetet.
- Működés közben ne hagyja a készüléket felügyelet nélkül.
- Ne szedje szét a motoregységet karbantartási vagy tisztítási célból. Javításra vigye hivatalos Philips szakszervizbe.

Figyelmeztetés!

- Ne használjon más gyártótól származó tartozékot / alkatrészt, vagy olyat, melyet a Philips nem javasolt, mert a garancia érvényét veszti.
- Ne tegye a készüléket működő vagy még le nem hűlt tűzhelyre, sütőre illetve azokhoz közel.
- Tisztítás előtt mindig húzza ki a csatlakozódugót a fali aljzatból és hagyja lehűlni a készüléket.
- Ne tegye a turmixkelyhet és készülék más részeit mikrohullámú készülékben, mivel a turmixkehely fogójának és késegségének fém részei nem alkalmasak erre.
- Ne sterilizálja a turmixkelyhet és a készülék más részeit sterilizálóban vagy mikrohullámú készülékben, mivel a turmixkehely fogójának és késegségének fém részei nem alkalmasak erre.
- A készülék kizárólag háztartási használatra készült. Amennyiben a készüléket nem megfelelően, rendeltetésszerűen használják, illetve nem tartják be a használati útmutatóban leírtakat, a garancia hatályát veszti és a Philips semminemű felelősséget nem vállal az okozott károkért.
- Legyen óvatos, ha forró vizet önt a mérőpohárba, mert a forró víz és gőz kiáramolhat, és égési sérülést okozhat.
- Hagyja 10 percig hűlni a készüléket, mielőtt újabb adagot párol.

- A készülék nem alkalmas kemény hozzávalók (pl. jégkocka és kockacukor) aprítására.
- Ne turmixoljon egyszerre 30 másodpercnél tovább. Amikor 30 másodpercen belül nem fejezi be a turmixolást, kapcsolja ki a készüléket és várjon néhány másodpercig, mielőtt folytatná. Ha a készülék felforrósodik, hagyja hűlni néhány percig.
- Helyezze a készüléket stabil, vízszintes és sima felületre. Mivel a készülék használat közben forró gőzt bocsát ki, ezért a biztonságos működtetés érdekében hagyjon körülötte elég szabad helyet.
- Ne használja a készüléket tovább, ha leesett, vagy bármilyen módon megsérült. Ebben az esetben a hivatalos Philips Avent forgalmazó szakszervizébe vigye el javíttatni.
- Ne használja a pároló funkciót, ha nem töltött vizet a készülékbe.
- A készülék meghibásodásának elkerülése érdekében ne tegyen vizet, más folyadékot vagy turmixolt ételt a kehelybe.
- Ügyeljen rá, hogy ne töltse fel túlságosan a víztartályt (max. 2 dl). A mérőpoháron jelzett maximális szinten ne töltse túl a vizet.
- Pároláskor ne töltse túl a kelyhet: a zöld színű aprítókés felső részét ne takarja az étel (ábra 2).
- Folyadék turmixolásakor ne töltse fel a turmixkelyhet a kelyhen jelölt maximális szint fölé (4,5 dl).
- Ne tegyen semmilyen tárgyat a betöltőnyílásba vagy a gőzszelepbe.
- Ne töltse újra a víztartályt párolás közben, mivel ilyenkor forró víz és gőz távozhat a készülékből.
- Mindig ügyeljen arra, hogy párolás után a fedél lehűljön mielőtt felnyitja és hozzáadja a további összetevőket turmixoláshoz.
- A biztonsági hőkioldó véletlen alaphelyzetbe állítása miatti veszélyhelyzet elkerülése érdekében ne csatlakoztassa a készüléket külső kapcsolóeszközhöz, pl. időzítőhöz, és szintén ne csatlakoztassa olyan áramkörre, amelyet a használat során rendszeresen ki- és bekapcsolnak.
- Etetés előtt kézfejen mindig ellenőrizze a bébiétel hőmérsékletét.
- Mindig ellenőrizze a bébiétel állagát, hogy ne maradjanak benne nagyobb darabok.
- A párolás ideje max. 20 perc. Ennek végeztével ne párolja és ne melegítse újra a bébiételt.
- Mindig a turmixkehelyhez adott lapáttal vegye ki az ételt a kehelyből.
- A rendszeres vízkömentesítés megakadályozza a készülék károsodását.
- Alkatrészek cseréje előtt, illetve mielőtt a használatkor mozgó részekhez érne, kapcsolja ki a készüléket és húzza ki a fali aljzatból.

- Óvatosan bánjon az éles pengékkel a kehely ürtésekor és tisztításkor.
- Mindig húzza ki a készülék tápkábelét a fali aljzataból, ha felügyelet nélkül hagyja.
- Gyermekek nem tisztíthatják a készüléket és nem végezhetnek felhasználói karbantartást rajta.
- Zajszint: $L_c = 89$ dB (A).

Biztonsági rendszer

A készülék beépített biztonsági zárral rendelkezik, és csak akkor működik, ha megfelelően szerelte rá az összes alkatrészt a motoregységre. Ha az összes alkatrész felszerelése megfelelő, a beépített biztonsági zár kiold.

A készülék túlmelegedés elleni védelemmel van ellátva. Túlmelegedésre akkor kerülhet sor, ha két párolás között túl kevés idő telik el, ha a turmixgép funkciót túl hosszú ideig használták, vagy ha túl sok étel van a kehelyben. Ha a túlmelegedés elleni védelem használat közben kikapcsolja a készüléket, állítsa a kezelőgombot 0 értékre, és hagyja a készüléket hűlni néhány percig. Ezután újra használhatja.

Elektromágneses mezők (EMF)

Ez a Philips készülék az elektromágneses terekre érvényes összes vonatkozó szabványnak és előírásnak megfelel.

Teendők az első használat előtt

- 1** Távolítsa el a készülékről a teljes csomagolást.
- 2** A motoregységen kívül minden alkatrészt tisztítson meg (lásd a „Tisztítás és karbantartás” c. fejezetet).

A készülék használata

Etetés előtt kézfejen mindig ellenőrizze a bébiétel hőmérsékletét.

Mindig ügyeljen arra, hogy párolás után a fedél lehűljön, mielőtt szükség szerint hozzáadja a további alapanyagokat turmixoláshoz. Ne lépje túl a turmixkelyhen jelzett maximális szintet.

Új pároláshoz ürítse ki a víztartályt, mielőtt újratölti.

A párolás megkezdésekor ellenőrizze, hogy a zöld színű aprítókés felső részét ne fedje be az étel.

Folyadék turmixolásakor ne töltse fel a turmixkelyhet a maximális szint (4,5 dl) fölé.

A készülék bébiétel készítésekor friss, szilárd alapanyagok párolására, majd turmixolására használható. A receptkönyvben talál erre néhány példát. Általában először megpároljuk a hozzávalókat, majd leturmixoljuk. A készülék azonban használható csak párolásra vagy csak turmixolásra is. Ha csak turmixolásra használja a készüléket, ugorja át „A víztartály feltöltése” és a „Párolás” című részt, és csak a „Mixelés” részben lévő utasításokat hajtsa végre. Turmixolás után ne párolja meg a már leturmixolt ételt. Ne párolja ugyanazt az adag ételt 20 percnél hosszabb ideig vagy egynél többször.

A készülék használata NEM ajánlott a következőkre:

- Mélyfagyasztott ételek kiolvasztása
- Fagyasztott étel párolása
- Már leturmixolt étel párolása
- Ugyanazon étel 20 percet meghaladó párolása
- Rizs és tészta főzése
- Előbb turmixolás, majd párolás
- Folyadék (pl. leves vagy víz) melegítése
- Ételen tartása több órán át
- Ételt újramelegítése

A víztartály feltöltése**1** Töltse fel a mérőpoharat vízzel a megfelelő szintig (ábra 3).

A mérőpohár milliliteres beosztású, az értékekhez tartozó párolási időtartam pedig percben van megadva. Az ajánlott mennyiségeket a mellékelt receptkönyvben találja.

Megjegyzés: Ne lépje túl a mérőpoháron feltüntetett maximális szintet (2 dl), nehogy túltöltse a víztartályt.

Megjegyzés: Azt tanácsoljuk, ne használjon ásványvizet, mivel az ásványi anyagok vízkőlerakódást okozhatnak a víztartályban.

2 Öntse a vizet a betöltőnyílásba, majd csukja le a fedelet (ábra 4).

Megjegyzés: A víztartályba csak vizet töltsön.

Párolás

A szilárd étel fogyasztását megkezdő babák számára a gondosan párolt zöldség és gyümölcs tökéletes táplálék. A párolás az étel elkészítésének legegészségesebb módja, mivel sok vitamin és más egészséges tápanyag megmarad benne.

Megjegyzés: A főzési időket a mellékelt receptkönyvben találja. Vegye figyelembe, hogy a recepteket a baba korához igazítottuk.

Megjegyzés: Ne pároljon fagyasztott élelmiszert, mert a készülék nem képes a pároláshoz szükséges hőmérsékletre felmelegíteni. A mélyhűtött szilárd hozzávalókat mindig olvassa ki, mielőtt párolná a készülékben. A kiolvasztott alapanyagokról csurgassa le a vizet, mielőtt a kehelybe helyezi.

1 Tegye a késegséget a késtartóra a turmixkehelyben (ábra 5).**2** Vágja a szilárd hozzávalókat kis darabokra (legfeljebb 2–3 cm-es kockákra), majd tegye a kehelybe.

Megjegyzés: Ne turmixoljon össze egyszerre túl nagy mennyiségű szilárd alapanyagot, inkább több kisebb adagot tegyen az edénybe.

3 Tegye az alapanyagokat a turmixkehelybe (ábra 6).

Megjegyzés: A zöld színű aprítókés felső részét ne takarja az étel.

Megjegyzés: A készülék meghibásodásának elkerülése érdekében ne tegyen vizet vagy más folyadékot a kehelybe.

4 Illessze a szelepet a fedélbe (ábra 7).

Megjegyzés: Ellenőrizze, megfelelően rögzítette-e a szelepet.

5 Illessze a szűrőt a kehely tetejébe kattanásig (ábra 8).**6** Helyezze a fedelet a turmixkehelyre, és rögzítse az óramutató járásával megegyező irányba forgatva. A fedél kiálló részeinek illeszkedniük kell a kehely mélyedéseibe. Ügyeljen rá, hogy a fedél meghosszabbítása pontosan a kehely fogója felett legyen (ábra 9).**7** Tegye a kehelyt fordítva (azaz fedéllel lefelé) a motoregységre. Ügyeljen rá, hogy a fogó jobb oldalon legyen és megfelelően illeszkedjen (ábra 10).

Megjegyzés: A készülék nem kezdi meg a párolást, amíg a kehely és a fogantyú nincs a helyén.

8 Fordítsa a kezelőgombot párolási pozícióba.

► A párolást jelző fény narancsszínnel világít, jelezve, hogy a készülék párol (ábra 11).

A forró gőz és a forró víz megégetheti az ujját. Ne érjen a forró alkatrészekhez és ne tartózkodjon a gőz közelében. Különösen ne engedjen gyermeket a közelébe.

Forrázásveszély! (ábra 12)

- ▶ A párolás ideje attól függ, mennyi vizet tett a víztartályba. Lásd a „A különböző hozzávalók párolási ideje” c. fejezetben lévő táblázatot és a receptkönyvet.
 - ▶ A párolás végén a készülék berregő hangot ad és a párolást jelző fény kialszik.
- 9** Állítsa a kezelógombot kikapcsolt pozícióba. Az égési sérülések elkerülése érdekében várjon 2 percig, amíg a fedélen lévő gőzlyukon nem távozik több gőz. (ábra 13)

Megjegyzés: Ha még egy adagot szeretne párolni, előbb hagyja a készüléket lehűlni 10 percig.

- 10** Ha szeretné turmixolni a párolt ételt, hajtsa végre az alábbi „Mixelés párolás után” című rész utasításait.
- 11** Normál esetben párolás után nem marad víz a víztartályban. Néhány esetben azonban (pl. vízkőlerakódás a víztartályban, a párolás megszakadása vagy nem megfelelő használat), egy kevés víz maradhat a víztartályban. Ebben az esetben a baktériumok elszaporodásának megelőzése érdekében használat után ürítse ki teljesen a víztartályt. A víztartály vízkőmentesítéséről lásd a „Tisztítás és karbantartás” című fejezetet.

Mixelés párolás után

- 1** A fogónál tartva emelje le a kelyhet a motoregységről. Fordítsa meg a kelyhet és rázogassa, amíg az étel rá nem esik az aprítókésre (ábra 14).

Csak a turmixkehely fogóját érintse meg. A kehely fedele, alja és külső felülete forró (ábra 15).

- 2** Szükség esetén távolítsa el a fedelet és tegye bele a többi hozzávalót turmixoláshoz (pl. víz vagy olaj).

Mindig ügyeljen arra, hogy párolás után a turmixkehely és a víztartály fedele lehűljön, mielőtt felnyitja őket, és további összetevőket tesz a turmixkehelybe, vagy kiönti a maradék vizet a víztartályból.

Ha folyadékot tett a kehelybe, akkor ne tegye a kelyhet párolási pozícióba.

- 3** Helyezze a turmixkelyhet a motoregységre fedéllel felfelé. A fogó legyen jobb oldalon, a zárórész két síne között (ábra 16).
- 4** Fordítsa a kezelógombot turmix pozícióba. Tartsa a gombot ebben a pozícióban addig, amíg az étel állaga megfelelő nem lesz (ábra 17).

Ne turmixoljon egyszerre 30 másodpercnél tovább. Amikor 30 másodpercen belül nem fejezi be a turmixolást, kapcsolja ki a készüléket és várjon néhány másodpercig, mielőtt folytatná. Ha a készülék felforrósodik, hagyja hűlni néhány percig.

Megjegyzés: Ha az alapanyagok a kehely falára tapadnak, kapcsolja ki a készüléket és távolítsa el őket a lapát segítségével vagy folyadék hozzáadásával.

Megjegyzés: Tálalás előtt ellenőrizze, hogy a turmixolt bébiétel megfelelő állagú, azaz nem tartalmaz nagy darabokat.

Megjegyzés: Amennyiben a bébiétel még mindig túl szilárd, adjon hozzá folyadékot (pl. vizet), amíg megfelelő állagú lesz.

- 5** A turmixolás végén engedje fel a vezérlógombot (ábra 18).
- ▶ A gomb automatikusan kikapcsolt pozícióba áll.
- 6** Vegye ki az összeturmixolt ételt a kehelyből. Szükség esetén használja a mellékelt lapátot. Fontos, hogy a bébiétel hőmérséklete megfelelő legyen.
- 7** Húzza ki a készülék hálózati dugóját a fali aljzatból.

- 8** Normál esetben párolás után nem marad víz a víztartályban. Néhány esetben azonban (pl. vízkőlerakódás a víztartályban, a párolás megszakadása vagy nem megfelelő használat), egy kevés víz maradhat a víztartályban. Ebben az esetben a baktériumok elszaporodásának megelőzése érdekében használat után ürítse ki teljesen a víztartályt. A víztartály vízkőmentesítéséről lásd a „Tisztítás és karbantartás” című fejezetet.

Mixelés párolás nélkül

A készülék használata ajánlott az alábbiakra:

- Párolt és főtt alapanyagok pürésítése bébiételnek;
- Folyadék és gyümölcsök turmixolása bébiitalnak.

A készülék nem alkalmas kemény hozzávalók (pl. jégkocka és kockacukor) aprítására.

Ha folyadékot tett a kehelybe, akkor ne tegye a kelyhet párolási pozícióba.

Megjegyzés: Folyadék turmixolásánál ne töltsé a turmixkelyhet a rajta jelölt maximum jelzés fölé.

Megjegyzés: Ne pároljon turmixolt bébiételt.

- 1** Tegye a késégséget a késtartóra a turmixkehelyben (ábra 5).
- 2** Vágja a szilárd hozzávalókat kis darabokra (legfeljebb 2–3 cm-es kockákra), majd tegye a kehelybe.

Tipp: Ne turmixoljon össze egyszerre túl nagy mennyiségű szilárd alapanyagot, inkább több kisebb adagot tegyen az edénybe.

- 3** Tegye az alapanyagokat a turmixkehelybe. (ábra 6)

Megjegyzés: A zöld színű aprítókés felső részét ne takarja az étel.

- 4** Illessze a szelepet a fedélbe (ábra 7).

Megjegyzés: Ellenőrizze, megfelelően rögzítette-e a szelepet.

- 5** Illessze a szűrőt a kehely tetejébe kattanásig (ábra 8).

- 6** Helyezze a fedelet a turmixkehelyre, és rögzítse az óramutató járásával megegyező irányba forgatva. A fedél kiálló részeinek illeszkedniük kell a kehely mélyedéseibe. Ügyeljen rá, hogy a fedél meghosszabbítása pontosan a kehely fogója felett legyen. (ábra 9)

- 7** Helyezze a turmixkelyhet a motoregységre fedéllel felfelé. A fogó legyen jobb oldalon, a zárórész két síne között (ábra 16).

- 8** Fordítsa a vezérlőgombot turmix pozícióba. Tartsa a gombot ebben a pozícióban annyi ideig, ameddig szükséges, de legfeljebb 30 másodpercig (ábra 17).

Megjegyzés: Ha az alapanyagok a kehely falára tapadnak, kapcsolja ki a készüléket, és távolítsa el őket lapát segítségével vagy folyadék hozzáadásával. Ne lépje túl a kelyhen jelzett maximális szintet.

Megjegyzés: Tálalás előtt ellenőrizze, hogy a turmixolt bébiétel megfelelő állagú, azaz nem tartalmaz nagy darabokat.

Megjegyzés: Ha a bébiétel még mindig túl szilárd, adjon hozzá folyadékot (pl. vizet), amíg elég lágy és puha nem lesz. Ne lépje túl a kelyhen jelzett maximális szintet.

Megjegyzés: Ne pároljon turmixolt bébiételt.

Ne turmixoljon 30 másodpercnél tovább egyszerre. Ha 30 másodpercen belül nem fejezi be a turmixolást, kapcsolja ki a készüléket, és várjon néhány másodpercig, mielőtt folytatná. Ha a motoregység felforrósodik, folytatás előtt hagyja hűlni néhány percig.

- 9** A turmixolás végén engedje fel a vezérlőgombot. (ábra 18)

► A gomb automatikusan kikapcsolt pozícióba áll.

10 Vegye ki az összeturmixolt ételt a kehelyből. Szükség esetén használja a mellékelt lapátot.

Fontos, hogy a bébiétel hőmérséklete megfelelő legyen.

11 Húzza ki a készülék hálózati dugóját a fali aljzatból.

A különböző hozzávalók párolási ideje

Étel típusa	Hozzávaló	Párolási idő (kb.)*
Gyümölcs	Alma	5 perc
	Narancs	10 perc
	Őszibarack	10 perc
	Körte	5 perc
	Ananász	15 perc
	Szilva	10 perc
Zöldség	Spárga	10 perc
	Brokkoli	20 perc
	Sárgarépa	15 perc
	Karfiol	15 perc
	Zeller	15 perc
	Cukkini	15 perc
	Édeskömény	15 perc
	Zöldbab	20 perc
	Póréhagyma	15 perc
	Hagyma	15 perc
	Borsó	20 perc
	Bors	15 perc
	Burgonya	20 perc
	Tök	15 perc
	Spenót	15 perc
	Karórépa	15 perc
	Édesburgonya	15 perc
Paradicsom	15 perc	
Hús	Csirke, marha, bárány, sertés stb.	20 perc
Hal	Lazac, nyelvhal, tőkehal, pisztráng stb.	15 perc

* Minden ételt vágjon apró darabokra, legfeljebb 2–3 cm-es kockákra.

Megjegyzés: A mérőpohár milliliteres beosztású, az értékekhez tartozó párolási időtartam pedig percben (0,5 dl = 5 perc, 1 dl = 10 perc, 1,5 dl = 15 perc, 2 dl = 20 perc).

Tisztítás és karbantartás

Minden használat után tisztítsa meg a készüléket.

Ne merítse a motoregységet vízbe.

Ne tegyen fehérítőt vagy kémiai sterilizáló oldatot / tablettát a készülékbe.

A készülék tisztításához ne használjon dörzsszivacsot, súrolószert sem benzint, acetont vagy alkoholt.

- 1** Húzza ki a készülék dugóját a fali aljzataból és vegye le a turmixkelyhet a motoregységről (ábra 19).
- 2** Vegye le a fedelet a kehelyről és fordítsa lefelé (ábra 20).
- 3** Vegye le a szűrőt és a szelepet a fedélről. (ábra 21)
- 4** Tisztítsa meg forró vízzel és némi mosogatószerrel a szelepet, majd öblítse le a csap alatt.
- 5** Vegye ki a késegséget a kehelyből (ábra 22).
- 6** Használat után azonnal alaposan mossa el a késegséget folyó víz alatt. A késegség csövének belsejét is tisztítsa meg (ábra 23).

A késegséget nagyon óvatosan kezelje, mert a vágóélek nagyon élesek.

Megjegyzés: Ha alaposabban szeretné megtisztítani a késegséget, mosogatógépbe is teheti, miután leöblítette.

- 7** Azokat a részeket, amelyek közvetlenül érintkeznek élelmiszerrel, a használatot követően mindig mosogassa el kevés folyékony mosogatószert tartalmazó forró vízzel.

Megjegyzés: A motoregységen kívül minden elem mosogatógépben is tisztítható.

- 8** A motoregységet szükség esetén nedves ruhával tisztítsa.
- 9** Ellenőrizze, hogy nincs-e ételdarab a víztartályban. Ehhez nézzen be a betöltőnyíláson, vagy ellenőrizze a víz színét, vagy szagolja meg, ha a víztartályból kellemetlen vagy égett szag távozik. Ebben az esetben tisztítsa meg a víztartályt (lásd a fejezet „A víztartály tisztítása” című részét).
- 10** A baktériumok elszaporodásának megelőzése érdekében hagyja nyitva a betöltőnyílás fedelét.

A víztartály vízkömentesítése

Ha ételdarabok kerülnek a víztartályba, a következő pároláskor beszorulhatnak a víztartály fűtőelemébe. Ezek a darabkák nem távolíthatók el a víztartály kiöblítésével. Ezen kívül a maximális hatékonyság érdekében havonta vízkömentesítse a készüléket. A vízkőlerakódás csökkentése érdekében hasznos felforralt vagy szűrt vizet használni a készülékben. Az ételdarabkák eltávolításához a víztartályból és a készülék vízkömentesítéséhez hajtsa végre az alábbi vízkömentesítési utasításokat.

- 1** Kapcsolja ki a készüléket.
 - 2** Adjon 50 ml (8% ecetsavtartalmú) háztartási ecetet 1,5 dl vízhez.
- Megjegyzés: Citromsav alapú vízkömentesítőket is használhat. Ne használjon más típusú vízkömentesítőket.*
- 3** Töltse fel a víztartályt az ecetből (vagy citromsavból) és vízből készült oldattal.
 - 4** Cszukja le a betöltőnyílás fedelét.

- 5 Az üres kelyhet (amely már nem tartalmaz ételmaradékot) a beillesztett késeggel és fedéllel a tetején helyezze a motoregységre párolási pozícióban (a fedél lefelé mutasson).
- 6 Fordítsa a kezelőgombot párolási pozícióba.
 - ▶ A párolást jelző fény narancsszínnel világít, jelezve, hogy a készülék párol.
- 7 5–6 perc párolás után kapcsolja ki a készüléket és húzza ki a fali aljzatból.
- 8 Öntse ki háztartási ecetből (8% ecetsav-tartalmú) és vízből készült oldatot a víztartályból (ábra 24).
- 9 Többször, alaposan öblítse ki a víztartályt és a kelyhet.
- 10 Töltse fel a tartályt 2 dl vízzel, és végeztessen a készülékkel egy párolási ciklust (20 perc) üres tartállyal, mielőtt újra ételt tenne a készülékbe.
- 11 A baktériumok elszaporodásának megelőzése érdekében hagyja nyitva a betöltőnyílás fedelét.

Újrahasznosítás

- Ez a szimbólum azt jelenti, hogy a termék nem kezelhető normál háztartási hulladékként (2012/19/EU) (ábra 25).
- Kövesse az elektromos és elektronikus termékek külön történő hulladékgyűjtésére vonatkozó helyi előírásokat és szabályokat. A megfelelő hulladékkezelés segítséget nyújt a környezettel és az emberi egészséggel kapcsolatos negatív következmények megelőzésében.

Tárolás

- 1 A készülék tárolása előtt ürítse ki a víztartályt (ábra 24).
- 2 Mielőtt eltenné a készüléket, ellenőrizze, hogy minden alkatrész tiszta és száraz-e (lásd a „Tisztítás és karbantartás” c. fejezetet).
- 3 A károsodás megelőzése érdekében tárolja a késeggel a turmixkehelyben.
- 4 A baktériumok elszaporodásának megelőzése érdekében ne tegye a fedelet a kehelyre, és hagyja nyitva a betöltőnyílás fedelét.

Garancia és terméktámogatás

Ha információra vagy támogatásra van szüksége, látogasson el a www.philips.com/support weboldalra, vagy olvassa el a különálló, világszerte érvényes garancialevelet.

Műszaki adatok

- Feszültség és teljesítmény: lásd a készülék alján lévő típusazonosító táblázatot.
- A víztartály maximális befogadóképessége: 200 ml.
- A turmixkehely maximális befogadóképessége folyadéknál: 4,5 dl.
- Védelem: hőmérséklet-vezérelt fűtőrendszer és biztonsági zár

Hibaelhárítás

Ez a fejezet összefoglalja a készülékkel kapcsolatban leggyakrabban felmerülő problémákat. Ha a hibát az alábbi útmutató segítségével nem tudja elhárítani, látogasson el a www.philips.com/support weboldalra a gyakran felmerülő kérdések listájáért, vagy forduljon az országában illetékes ügyfélszolgálathoz.

Probléma	Lehetséges ok	Megoldás
A készülék nem működik.	A készülék biztonsági zárral van felszerelve. Abban az esetben, ha az alkatrészeket nem megfelelően szerelték össze a motoregységre, akkor a készülék nem működik.	Megfelelően szerelje össze az alkatrészeket. Lásd „A készülék használata” című részt.
A párolást jelző fény nem világít.	A készülék nem csatlakozik a fali aljzathoz. A kehely nincs megfelelően ráhelyezve a motoregységre.	Csatlakoztassa a hálózati dugót a fali aljzatba. Helyezze a kehelyt megfelelően a motoregységre.
	Éppen befejezte az első párolási ciklust és rögtön egy másodikat akar elkezdni.	Kapcsolja ki a készüléket és hagyja lehűlni néhány percig, mielőtt elkezdje a második párolási ciklust.
A hozzávalók nem melegedtek fel teljesen.	A kehelyben lévő darabok túl nagyok, sok étel van benne, vagy nem párolta elég ideig.	Vágja az ételt apróbb darabokra (2–3 cm), vegyen ki valamennyi ételt a kehelyből, vagy válasszon hosszabb párolási időt (max. 20 perc). Ellenőrizze a receptkönyvben vagy „A különböző hozzávalók párolási ideje” fejezetben található táblázatban, hogy megfelelő párolási időt választott-e a párolni kívánt alapanyagokhoz vagy az elkészíteni kívánt recepthez.
A készülék nem párol.	Nem tett vizet a készülékbe. Nem a megfelelő helyzetben tette fel a kehelyt a motoregységre.	Kapcsolja ki a készüléket és tegyen bele megfelelő mennyiségű vizet. Helyezze a fedelet a készülékre a megfelelő helyzetben (lásd „A készülék használata” fejezet „Párolás” című részét).
A párolás túl sokáig tart, vagy a párolás funkció egyáltalán nem működik.	Túl sok vízkő található a víztartályban.	Vízkőmentesítse a víztartályt. Lásd a „Tisztítás és karbantartás” fejezet „Vízkőmentesítés” című részét.
A betöltőnyílásból gőz távozik.	A betöltőnyílás fedele nincs megfelelően lezárva.	Teljesen csukja le a betöltőnyílás fedelét (kattanásig).

Probléma	Lehetséges ok	Megoldás
	A motoregység gőzkivezető nyílását ételdarabka vagy vízkő zárja el.	A tömítés megsértése nélkül egy hegyes tárggyal tisztítsa meg a gőzkivezető nyílást, és a jövőben tartsa be a vízkőmentesítésre vonatkozó utasításokat. Lásd a „Tisztítás és karbantartás” fejezet „Vízkömentesítés” című részét.
	A fedélen lévő gőzlyuk eltömődött.	Vegye le a szelepet, és tisztítsa meg alaposan a fedélen lévő gőzlyukat.
A párolási ciklus befejezését követően a párolás jelzőfény ismét világítani kezd. Egy bizonyos idő elteltével a készülék ismét hangjelzést ad.	A kelyhet véletlenül több mint 10 percig a talpon felejtette úgy, hogy a készüléket nem kapcsolta ki.	A párolási ciklus befejezése után 10 percen belül kapcsolja ki a párolási funkciót, majd az ételt turmixolja össze, vagy távolítsa el a kehelyből.
A vágóegység vagy a motoregység elakadt.	Túl sok étel van a kehelyben.	Kapcsolja ki a készüléket, és kisebb mennyiséget dolgozzon fel. Ne töltsen a kelyhet a zöld színű aprítókés felső részén túl.
A motoregység kellemetlen szagot áraszt az első néhány használatkor.	Ez normális jelenség.	Ha a készülék a későbbiekben is kellemetlen szagot áraszt, ellenőrizze, hogy az alapanyagok mennyisége és a használati idő megfelelő-e. Lásd „A különböző hozzávalók párolási ideje” című részt.
A készülék továbbra is kellemetlen szagot áraszt.	Túl sok ételt tett a turmixkehelybe, vagy túl sokáig turmixolt.	Dolgozzon fel kisebb mennyiségeket és egyszerre ne turmixoljon 30 másodpercnél hosszabb ideig.
A készülék túl zajos, kellemetlen szagot áraszt, forró, füstöl stb.	Túl sok étel van a kehelyben.	Kapcsolja ki a készüléket és kisebb mennyiséget dolgozzon fel.
	Túl sok ideig használta a készüléket megszakítás nélkül.	Ne turmixoljon folyamatosan 30 másodpercnél tovább.
A turmixkehely fedele szivárogo.	Nem megfelelően helyezte rá a fedelet a kehelyre.	Helyezze a fedelet megfelelően a kehelyre. Lásd „A készülék használata” című részt.
	Túl sok étel van a kehelyben.	Kapcsolja ki a készüléket és kisebb mennyiséget dolgozzon fel.

Probléma	Lehetséges ok	Megoldás
Fehér pöttyök láthatók a betöltőnyíláson, illetve a turmixkelyhen, a szűrőn vagy a fedélen.	E helyeken vízkő képződött.	Ez nem rendellenesség. A vízkövet rendszeresen el kell távolítani. Lásd a „Tisztítás és karbantartás” című fejezet „Vízkömentesítés” című részét.
Turmixolás közben a készülék rendkívül zajos.	A szűrő nincs a turmixkehely fedelére illesztve.	Illessze a szűrőt a turmixkehely fedelére.
A víztartályban lévő víz színe furcsa, amikor kiönti a víztartályból, vagy amikor a kehelybe érkezik párolás közben, vagy a víztartályban lévő víz kellemetlen szagú.	Használat közben ételdarabkák kerültek a víztartályba.	Tisztítsa meg a víztartályt a „Tisztítás és karbantartás” című fejezet „A víztartály tisztítása” című része szerint. A készüléket pontosan az utasítások szerint használja. Ügyeljen rá, hogy ne töltsen túl a víztartályt vízzel (max. 2 dl), sem a turmixkehelyt étellel (ne töltsen a kehelyt a zöld színű aprítókés felső részén túl). Ne pároljon egy adagot 20 percnél tovább, és ne tegye a pároláshoz szükséges vizet közvetlenül a kehelybe. Fontos, hogy a szelep rögzítve legyen a fedélen.
A víztartályból sült vagy égett étel szaga árad	Használat közben ételdarabok kerültek a víztartályba és rásültek a fűtőelemre.	Tisztítsa meg a víztartályt a „Tisztítás és karbantartás” című fejezet „A víztartály tisztítása” című része szerint. A készüléket pontosan az utasítások szerint használja. Ügyeljen rá, hogy ne töltsen túl a víztartályt vízzel (max. 2 dl), sem a turmixkehelyt étellel (ne töltsen a kehelyt a zöld színű aprítókés felső részén túl). Ne pároljon egy adagot 20 percnél tovább, és ne tegye a pároláshoz szükséges vizet közvetlenül a kehelybe. Fontos, hogy a szelep rögzítve legyen a fedélen.
Sötét foltok vannak a bébiételben, vagy a kehelyben lévő víz színe szokatlan.	Használat közben ételdarabok kerültek a víztartályba és rásültek a fűtőelemre. Ilyenkor párolás közben az ételdarabok bekerülnek a kehelybe.	Tisztítsa meg a víztartályt a „Tisztítás és karbantartás” című fejezet „A víztartály tisztítása” című része szerint. A készüléket pontosan az utasítások szerint használja. Ügyeljen rá, hogy ne töltsen túl a víztartályt vízzel (max. 2 dl), sem a turmixkehelyt étellel (ne töltsen a kehelyt a zöld színű aprítókés felső részén túl). Ne pároljon egy adagot 20 percnél tovább, és ne tegye a pároláshoz szükséges vizet közvetlenül a kehelybe. Fontos, hogy a szelep rögzítve legyen a fedélen.

Wprowadzenie

Gratulujemy zakupu i witamy wśród użytkowników produktów Philips Avent! Aby w pełni skorzystać z oferowanej przez firmę Philips pomocy, zarejestruj swój produkt na stronie

www.philips.com/welcome.

To urządzenie łączące funkcje parowaru i blendera przydatne jest szczególnie do przygotowywania niewielkich ilości jedzenia dla dzieci. Dzięki funkcjom parowaru i blendera połączonym w jednym urządzeniu rodzice mogą w prosty sposób przygotować posiłki dla swoich dzieci.

Opis ogólny (rys. 1)

- 1 Pokrywka z otworem na parę
- 2 Sitko
- 3 Część tnąca
- 4 Dzbanek z uchwytem na część tnącą
- 5 Otwór wlewowy zbiornika wody
- 6 Ujście pary w części silnikowej
- 7 Część blokująca uchwyt
- 8 Część silnikowa
- 9 Wskaźnik gotowania na parze
- 10 Pokrętko regulacyjne
- 11 Zawór
- 12 Łopatką
- 13 Kubek z miarką
- 14 Dolna część urządzenia z przewodem sieciowym

Ważne

Przed rozpoczęciem korzystania z urządzenia zapoznaj się dokładnie z jego instrukcją obsługi. Instrukcję warto też zachować na przyszłość.

Niebezpieczeństwo

- Nigdy nie zanurzaj części silnikowej urządzenia w wodzie ani innym płynie. Nie opłukuj jej pod bieżącą wodą.

Ostrzeżenie

- Przed podłączeniem urządzenia upewnij się, że napięcie podane na urządzeniu jest zgodne z napięciem w sieci elektrycznej.
- Nie używaj urządzenia, jeśli uszkodzona jest wtyczka, przewód sieciowy lub samo urządzenie.
- Ze względów bezpieczeństwa wymianę uszkodzonego przewodu sieciowego należy zlecić autoryzowanemu centrum serwisowemu firmy Philips lub odpowiednio wykwalifikowanej osobie.
- Urządzenie może być używane przez osoby z ograniczonymi zdolnościami fizycznymi, sensorycznymi lub umysłowymi, a także nieposiadające wiedzy lub doświadczenia w użytkowaniu tego typu urządzeń, pod warunkiem, że będą one nadzorowane lub zostaną poinstruowane na temat korzystania z tego urządzenia w bezpieczny sposób oraz zostaną poinformowane o potencjalnych zagrożeniach.

- Urządzenie nie może być używane przez dzieci. Urządzenie i jego przewód sieciowy należy umieścić w miejscu niedostępnym dla dzieci.
- Dzieci nie mogą bawić się urządzeniem.
- Nie dotykaj ostrzy części tnących, gdy urządzenie jest podłączone do gniazdka elektrycznego lub podczas czyszczenia. Ostrza są bardzo ostre.
- W przypadku zablokowania części tnącej przed usunięciem składników, które ją blokują, wyjmij wtyczkę urządzenia z gniazdka elektrycznego.
- Podczas gotowania na parze urządzenie nagrzewa się do wysokich temperatur i w przypadku dotknięcia może powodować oparzenia. Dzbaneq należy podnosić wyłącznie trzymając za uchwyt.
- Uważaj na gorącą parę, która wydostaje się z dzbanka podczas gotowania na parze oraz po zdjęciu pokrywki.
- Uważaj na gorącą parę, która wydostaje się z otworu wlewowego zbiornika wody po otwarciu pokrywki.
- Po skończonym gotowaniu na parze przez jakiś czas z otworu wylotowego pary w części silnikowej i otworu na parę w pokrywce dzbanka uchodzić będzie gorąca para. Zachowaj ostrożność, zdejmując dzbanek z części silnikowej.
- Jeżeli urządzenie jest używane w nieprawidłowy sposób, gorąca para może wydostawać się z otworu wlewowego wody. Zapoznaj się z rozdziałem „Rozwiązywanie problemów”, aby dowiedzieć się, jak uniknąć tego problemu lub jak go rozwiązać.
- Nigdy nie zostawiaj włączonego urządzenia bez nadzoru.
- Nie demontuj części silnikowej w celu konserwacji lub czyszczenia. Oddaj ją do naprawy do autoryzowanego centrum serwisowego firmy Philips.

Uwaga

- Nigdy nie używaj akcesoriów ani części zamiennych innych producentów ani takich, które nie są zalecane przez firmę Philips. W przypadku użycia takich akcesoriów lub części gwarancja traci ważność.
- Nie umieszczaj urządzenia na działającym lub nagrzanym piekarniku lub kuchence gazowej ani w ich pobliżu.
- Zawsze przed myciem urządzenia wyjmij wtyczkę z gniazdka elektrycznego i poczekaj, aż urządzenie ostygnie.
- Nigdy nie umieszczaj dzbanka ani jakiegokolwiek innej części urządzenia w mikrofalówce, ponieważ metalowe części uchwytu dzbanka oraz części tnącej nie nadają się do takiego użytku.

- Nigdy nie sterylizuj dzbanka ani jakiegokolwiek innej części urządzenia w sterylizatorze ani w mikrofalówce, ponieważ metalowe części uchwytu dzbanka oraz części tnącej nie nadają się do takiego użytku.
- Urządzenie to jest przeznaczone wyłącznie do użytku domowego. Używanie go w profesjonalnych lub półprofesjonalnych punktach gastronomicznych bądź w sposób niezgodny z niniejszą instrukcją spowoduje unieważnienie gwarancji. Firma Philips nie ponosi odpowiedzialności za uszkodzenia powstałe w takich przypadkach.
- Zachowaj ostrożność podczas wlewania gorącego płynu do dzbanka, ponieważ gorący płyn i para mogą wydostać się i spowodować oparzenia.
- Zanim przystąpisz do gotowania kolejnej porcji, odczekaj przynajmniej 10 minut, aż urządzenie ostygnie.
- Urządzenie nie jest przeznaczone do siekania twardych składników, takich jak kostki lodu czy cukru.
- Nie miksuj przez dłużej niż 30 sekund bez przerwy. Jeśli po 30 sekundach składniki nie zostały jeszcze do końca zmiksowane, wyłącz urządzenie i odczekaj kilka sekund. Jeśli urządzenie stanie się gorące, odczekaj kilka minut do czasu, aż ostygnie.
- Ustaw urządzenie na stabilnej, równej powierzchni i zapewnij wokół niego wystarczająco dużo wolnej przestrzeni, aby uniknąć uszkodzenia np. szafek czy innych przedmiotów, które mogłyby nastąpić w wyniku działania gorącej pary, która wydobywa się z urządzenia podczas pracy.
- Nie korzystaj z urządzenia, jeśli zostało ono upuszczone na podłogę lub jest w jakikolwiek sposób uszkodzone. Oddaj je do naprawy do autoryzowanego centrum serwisowego firmy Philips.
- Aby nie dopuścić do uszkodzenia urządzenia, nie należy umieszczać w dzbanku wody, innych substancji płynnych ani zmiksowanego jedzenia w celu gotowania na parze.
- Nigdy nie korzystaj z funkcji gotowania na parze bez uprzedniego wlewania wody.
- Uważaj, aby nie napełniać zbiornika zbyt dużą ilością wody (maksymalnie 200 ml). Nie przekraczaj maksymalnego poziomu zawartości oznaczonego na miarce.
- Gotując składniki na parze, upewnij się, że dzbanek nie jest przepelniony. Upewnij się, że na górnej krawędzi zielonej części tnącej nie znajdują się resztki jedzenia (rys. 2).
- Podczas miksowania płynów nie przekraczaj maksymalnego poziomu oznaczonego na dzbanku (450 ml).

- Nie umieszczaj żadnych obiektów w otworze wlewowym ani w otworze wylotowym pary.
- Nigdy nie dolewaj wody podczas procesu gotowania, ponieważ może to spowodować wyciek gorącej wody i pary z urządzenia.
- Jeśli istnieje potrzeba dodania składników do miksowania, należy zawsze odczekać, aż pokrywka urządzenia ostygnie i dopiero wtedy ją otworzyć.
- Aby wyeliminować niebezpieczeństwo niezamierzonego wyzerowania wyłącznika termicznego, nie podłączaj urządzenia do zewnętrznego urządzenia włączającego, np. wyłącznika czasowego, ani do obwodu, który jest regularnie włączany i wyłączany przez takie urządzenie.
- Przed przystąpieniem do karmienia dziecka zawsze sprawdź temperaturę jedzenia wierzchnią częścią dłoni.
- Zawsze sprawdzaj konsystencję jedzenia przeznaczonego dla dziecka. Upewnij się, że nie ma żadnych kawałków ani grudek.
- Po zakończeniu procesu gotowania (maks. 20 minut) nie należy ponownie gotować na parze ani ponownie podgrzewać pokarmu dla dzieci.
- Do usuwania składników z dzbanka należy używać wyłącznie dołączonej do zestawu łypatki.
- Regularne usuwanie kamienia zapobiega powstawaniu uszkodzeń urządzenia.
- Przed wymianą akcesoriów lub dotykaniem ruchomych części wyłącz urządzenie i odłącz je od zasilania.
- Zachowaj ostrożność w przypadku dotykania ostrzy podczas opróżniania dzbanka i czyszczenia urządzenia.
- Zawsze odłączaj urządzenie od źródła zasilania, jeśli zamierzasz pozostawić je bez nadzoru.
- Dzieci nie powinny czyścić ani obsługiwać urządzenia.
- Poziom hałasu: $L_c = 89 \text{ dB (A)}$.

System bezpieczeństwa

Urządzenie jest wyposażone w blokadę bezpieczeństwa. Może ono zostać uruchomione wyłącznie po prawidłowym zamontowaniu wszystkich elementów na części silnikowej. Jeśli wszystkie elementy zostały zamontowane poprawnie, wbudowana blokada bezpieczeństwa zostanie zwolniona. Urządzenie jest wyposażone w system ochrony przed przegrzaniem. Przegrzanie może nastąpić, gdy czas dzielący dwa kolejne procesy gotowania na parze jest zbyt krótki, jeśli zbyt długo korzysta się z funkcji blendera lub jeśli w dzbanku znajduje się zbyt duża ilość składników. Jeśli system ochrony przed przegrzaniem wyłączy urządzenie, należy ustawić pokrętko regulacji w pozycji 0 i poczekać kilka minut, aż urządzenie ostygnie. Po wykonaniu tych czynności można ponownie korzystać z urządzenia.

Pola elektromagnetyczne (EMF)

To urządzenie firmy Philips spełnia wszystkie normy i jest zgodne z wszystkimi przepisami dotyczącymi narażenia na działanie pól elektromagnetycznych.

Przed pierwszym użyciem

- 1 Usun z urządzenia wszystkie elementy opakowania.
- 2 Umyj wszystkie odłączane części oprócz części silnikowej (patrz rozdział „Czyszczenie i konserwacja”).

Zasady używania urządzenia

Przed przystąpieniem do karmienia dziecka zawsze sprawdź temperaturę jedzenia wierzchnią częścią dłoni.

Jeśli trzeba dodać składniki do miksowania, należy zawsze odczekać, aż pokrywka urządzenia ostygnie i dopiero wtedy ją otworzyć. Nie przekraczaj maksymalnego poziomu oznaczonego na dzbanku.

Opróżnij zbiornik wody przed jego ponownym napełnieniem w celu ponownego przeprowadzenia procesu gotowania na parze.

Przed przystąpieniem do gotowania upewnij się, że na górnej krawędzi zielonej części tnącej nie znajdują się resztki jedzenia.

Podczas miksowania płynów nie przekraczaj maksymalnego poziomu oznaczonego na dzbanku (450 ml).

To urządzenie jest przeznaczone do gotowania na parze świeżych stałych składników i miksowania ich w celu uzyskania jedzenia dla dzieci. Przykłady znajdują się w broszurze z przepisami. Zazwyczaj najpierw gotuje się jedzenie, a dopiero potem się je miksuje. Można jednak także korzystać tylko z jednej z dwóch funkcji urządzenia. Jeśli używasz tylko funkcji miksowania, pomiń części „Napełnianie zbiornika wody” i „Gotowanie” i przejdź od razu do części „Miksowanie”. Po zmiksowaniu składników nie należy ich gotować. Nigdy nie należy gotować tych samych składników dłużej niż przez 20 minut ani więcej niż jeden raz.

Urządzenie NIE jest przeznaczone do:

- Rozmrażania jedzenia
- Gotowania mrożonych składników
- Gotowania już zmiksowanego pokarmu
- Gotowania tych samych składników dłużej niż przez 20 minut
- Gotowanie ryżu i makaronu
- Miksowania składników, a następnie ich gotowania
- Podgrzewania płynów, np. zup albo wody
- Utrzymywania ciepła potraw przez kilka godzin
- Ponownego podgrzewania pokarmu

Napełnianie zbiornika wody

- 1 Napełnij miarkę do odpowiedniego poziomu (rys. 3).

Na miarce pokazane są wartości w mililitrach oraz odpowiadający im czas gotowania w minutach. Więcej informacji na temat zalecanych ilości znaleźć można w osobnej broszurze z przepisami.

Uwaga: Nie przekraczaj maksymalnego poziomu wskazanego na miarce (200 ml), aby nie napełnić zbiornika zbyt dużą ilością wody.

Uwaga: Nie zalecamy stosowania wody mineralnej, ponieważ minerały zawarte w tym rodzaju wody powodują gromadzenie się kamienia wewnątrz zbiornika wody.

- 2 Wlej wodę przez otwór wlewowy i zamknij pokrywkę (rys. 4).

Uwaga: W zbiorniku wody nie należy umieszczać niczego poza wodą.

Gotowanie na parze

Niektóre gotowane na parze warzywa i owoce są idealne dla dzieci, które dopiero zaczynają przyswajając pokarmy stałe. Gotowanie na parze jest najzdrowszą metodą przygotowywania pokarmu, gdyż zachowywanych jest wiele witamin i innych składników odżywczych.

Uwaga: Przepisy i odpowiednie czasy gotowania można znaleźć w osobnej broszurze z przepisami. Zwróć uwagę, że każdy przepis dostosowany jest do wieku dziecka.

Uwaga: Nie poddawaj procesowi gotowania na parze mrożonych produktów, ponieważ urządzenie nie nagrzewa ich do temperatury wymaganej do gotowania. Przed gotowaniem mrożone produkty stałe należy zawsze najpierw rozmrozić. Przed umieszczeniem składników w dzbanku wytrząśnij z nich nadmiar wody.

- 1** Załóż część tnącą w uchwycie na części tnącej w dzbanku (rys. 5).
- 2** Przed włożeniem do dzbanka potnij składniki stałe na mniejsze kawałki (kostki nie większe niż 2-3 cm).

Uwaga: Nie miksuj zbyt dużej ilości składników stałych naraz. Podziel je na mniejsze porcje.

- 3** Włóż składniki do dzbanka (rys. 6).

Uwaga: Nie przekraczaj ilości wskazywanej przez górną krawędź zielonej części tnącej.

Uwaga: Nie należy wlewać wody ani żadnych innych substancji płynnych do dzbanka w celu ich ugotowania, ponieważ grozi to uszkodzeniem urządzenia.

- 4** Umieść zawór w pokrywce (rys. 7).

Uwaga: Upewnij się, że zawór jest prawidłowo zamontowany.

- 5** Umieść sitko w pokrywce dzbanka (usłyszysz „kliknięcie”) (rys. 8).
- 6** Nałóż pokrywkę na dzbanek i obróć ją w prawo, aby ją zamocować. Małe występy u spodu pokrywki muszą wsunąć się w odpowiednie wgłębienia dzbanka. Upewnij się, że wystająca część pokrywki znajduje się dokładnie nad uchwytem dzbanka (rys. 9).
- 7** Umieść dzbanek do góry dnem na części silnikowej (pokrywką skierowaną w dół). Sprawdź, czy uchwyt znajduje się z prawej strony i czy został prawidłowo zamocowany (rys. 10).

Uwaga: Urządzenie nie rozpocznie procesu gotowania, jeśli dzbanek oraz uchwyt znajdują się w niewłaściwym położeniu.

- 8** Obróć pokrętło do pozycji gotowania na parze.
 - ▶ Zapali się pomarańczowy wskaźnik gotowania na parze (rys. 11).

Gożąca para i woda mogą spowodować oparzenia. Nie dotykaj nagrzaných części urządzenia i nie pozwalaj dotykać ich dzieciom. Mogą one spowodować oparzenia (rys. 12).

- ▶ Czas gotowania zależy od ilości wody, jaka znajduje się w zbiorniku wody. Więcej informacji na ten temat można znaleźć w tabeli w rozdziale „Składniki i czasy przygotowania” oraz w broszurze z przepisami.
 - ▶ Po zakończeniu procesu gotowania wygenerowany zostanie sygnał dźwiękowy i zgaśnie wskaźnik gotowania.
- 9** Za pomocą pokrętła wyłącz urządzenie. Poczekaj 2 minuty, aż z otworu wylotowego pary przestanie wydobywać się para, aby nie poparzyć się gożąca parą. (rys. 13)

Uwaga: Po ugotowaniu porcji składników, zanim przystąpisz do gotowania kolejnej porcji, odczekaj przynajmniej 10 minut, aż urządzenie ostygnie.

- 10** Aby zmiksować jedzenie ugotowane na parze, wykonaj czynności opisane poniżej w części „Miksowanie ugotowanych produktów”.

- 11** W normalnych warunkach w zbiorniku wody po zakończeniu procesu gotowania na parze nie pozostaje woda. Jednak w pewnych sytuacjach (np. w przypadku nagromadzenia się kamienia wewnątrz zbiornika wody, przerwania procesu gotowania na parze lub użycia urządzenia w sposób niezgodny z przeznaczeniem) w zbiorniku wody może pozostać pewna ilość wody. Należy wówczas całkowicie opróżnić zbiornik wody po użyciu, aby uniknąć rozwoju bakterii. Informacje dotyczące usuwania kamienia nagromadzonego w zbiorniku wody można znaleźć w rozdziale „Czyszczenie i konserwacja”.

Miksowanie ugotowanych produktów

- 1** Trzymając za uchwyt dzbanka, zdejmij go z części silnikowej. Obróć dzbanek i potrząśnij nim, aby jedzenie spadło na część tnącą (rys. 14).

Dotykaj tylko uchwytu dzbanka. Pokrywka, spód i powierzchnia zewnętrzna dzbanka są bardzo gorące (rys. 15).

- 2** W razie potrzeby zdejmij pokrywkę i dodaj składniki do zmiksowania (np. wodę lub olej).

Przed otwarciem w celu dodania kolejnych składników do dzbanka lub wylania wody ze zbiornika wody, zawsze sprawdzaj, czy pokrywka dzbanka i pokrywka zbiornika wody ostygły.

Nigdy nie ustawiaj dzbanka w pozycji gotowania na parze, jeśli zostały do niego wlane substancje płynne.

- 3** Postaw dzbanek pokrywką do góry na części silnikowej. Upewnij się, że uchwyt znajduje się z prawej strony i umieszczony jest pomiędzy dwoma krawędziami obszaru blokującego (rys. 16).

- 4** Przesuń pokrętło do pozycji miksowania. Przytrzymaj je w tej pozycji aż do uzyskania zadowalającego efektu (rys. 17).

Nie miksuj przez dłużej niż 30 sekund bez przerwy. Jeśli po 30 sekundach składniki nie zostały jeszcze do końca zmiksowane, wyłącz urządzenie i odczekaj kilka sekund. Jeśli urządzenie stanie się gorące, odczekaj kilka minut do czasu, aż ostygnie.

Uwaga: Jeśli składniki pozostają na ściance dzbanka, wyłącz urządzenie i zbierz składniki za pomocą łopatki lub dodając płynu.

Uwaga: Przed nakarmieniem dziecka upewnij się, że zmiksowane jedzenie ma odpowiednią konsystencję (np. nie ma w nim grudek).

Uwaga: Jeśli w jedzeniu wciąż znajdują się składniki stałe, dolej trochę płynu (np. wody), aż pokarm dla dziecka stanie się miękki.

- 5** Aby zakończyć miksowanie, wystarczy puścić pokrętło (rys. 18).

► Powróci ono automatycznie do pozycji wyłączenia.

- 6** Wyjmij zmiksowane produkty z dzbanka. W razie potrzeby użyj dołączonej łopatki.

Upewnij się, że jedzenie ma odpowiednią temperaturę dla dziecka.

- 7** Wyjmij wtyczkę urządzenia z gniazdka elektrycznego.

- 8** W normalnych warunkach w zbiorniku wody po zakończeniu procesu gotowania na parze nie pozostaje woda. Jednak w pewnych sytuacjach (np. w przypadku nagromadzenia się kamienia wewnątrz zbiornika wody, przerwania procesu gotowania na parze lub użycia urządzenia w sposób niezgodny z przeznaczeniem) w zbiorniku wody może pozostać pewna ilość wody. Należy wówczas całkowicie opróżnić zbiornik wody po użyciu, aby uniknąć rozwoju bakterii. Informacje dotyczące usuwania kamienia nagromadzonego w zbiorniku wody można znaleźć w rozdziale „Czyszczenie i konserwacja”.

Miksowanie nieugotowanych produktów

Urządzenie jest przeznaczone do:

- ucierania gotowanych składników w celu przygotowania pokarmu dla dzieci
- miksowania płynów i owoców w celu przygotowania napojów dla dzieci

Urządzenie nie jest przeznaczone do siekania twardych składników, takich jak kostki lodu czy cukru.

Nigdy nie ustawiaj dzbanka w pozycji gotowania na parze, jeśli zostały do niego wlane płyny.

Uwaga: W przypadku miksowania płynów nie należy przekraczać wskaźnika maksymalnego poziomu na dzbanku.

Uwaga: Nie należy gotować jedzenia dla dziecka po jego zmiksowaniu.

1 Załóż część tnącą w uchwycie na części tnącej w dzbanku (rys. 5).

2 Przed włożeniem do dzbanka potnij składniki stałe na mniejsze kawałki (kostki nie większe niż 2-3 cm).

Wskazówka: Nie miksuj zbyt dużej ilości składników stałych naraz. Podziel je na mniejsze porcje.

3 Włóż składniki do dzbanka. (rys. 6)

Uwaga: Nie przekraczaj ilości wskazywanej przez górną krawędź zielonej części tnącej.

4 Umieść zawór w pokrywce (rys. 7).

Uwaga: Upewnij się, że zawór jest prawidłowo zamontowany.

5 Umieść sitko w pokrywce dzbanka (usłyszysz „kliknięcie”) (rys. 8).

6 Nałóż pokrywkę na dzbanek i obróć ją w prawo, aby ją zamocować. Małe występy u spodu pokrywki muszą wsunąć się w odpowiednie wgłębienia dzbanka. Upewnij się, że wystająca część pokrywki znajduje się dokładnie nad uchwytem dzbanka. (rys. 9)

7 Postaw dzbanek pokrywką do góry na części silnikowej. Upewnij się, że uchwyt znajduje się z prawej strony i umieszczony jest pomiędzy dwoma krawędziami obszaru blokującego (rys. 16).

8 Przesuń pokrętło do pozycji miksowania. Przytrzymaj je w tej pozycji tyle czasu, ile potrzeba, lecz nie dłużej niż 30 sekund (rys. 17).

Uwaga: Jeśli składniki pozostają na ścianie dzbanka, wyłącz urządzenie i zbierz składniki za pomocą łopatki lub dodając płynu. Nie przekraczaj maksymalnego poziomu oznaczonego na dzbanku.

Uwaga: Przed nakarmieniem dziecka upewnij się, że zmiksowane jedzenie ma odpowiednią konsystencję (np. nie ma w nim grudek).

Uwaga: Jeśli w jedzeniu wciąż znajdują się składniki stałe, dolej trochę płynu (np. wody), aż pokarm dla dziecka stanie się jednorodny. Nie przekraczaj maksymalnego poziomu oznaczonego na dzbanku.

Uwaga: Nie należy gotować jedzenia dla dziecka po jego zmiksowaniu.

Nie miksuj przez dłużej niż 30 sekund bez przerwy. Jeśli po 30 sekundach składniki nie zostały jeszcze do końca zmiksowane, wyłącz urządzenie i odczekaj kilka sekund. Jeśli część silnikowa stanie się gorąca, odczekaj kilka minut do czasu, aż ostygnie.

9 Aby zakończyć miksowanie, wystarczy puścić pokrętło. (rys. 18)

► Powróci ono automatycznie do pozycji wyłączenia.

10 Wyjmij zmiksowane produkty z dzbanka. W razie potrzeby użyj dołączonej łopatki.

Upewnij się, że jedzenie ma odpowiednią temperaturę dla dziecka.

11 Wymij wtyczkę urządzenia z gniazdka elektrycznego.

Składniki i czasy przygotowania

Rodzaj żywności	Składniki	Czas przygotowania w przybliżeniu*
Owoce	Jabłko	5 min
	Pomarańcze	10 min
	Brzoskwinia	10 min
	Gruszka	5 min
	Ananas	15 min
	Śliwka	10 min
Warzywa	Szparagi	10 min
	Brokuły	20 min
	Marchew	15 min
	Kalafior	15 min
	Seler	15 min
	Cukinia	15 min
	Koper włoski	15 min
	Fasola	20 min
	Por	15 min
	Cebula	15 min
	Groszek	20 min
	Pieprz	15 min
	Ziemiak	20 min
	Dynia	15 min
	Szpinak	15 min
	Brukiew	15 min
	Batat	15 min
Pomidor	15 min	
Mięso	Kurczak, wołowina, cielęcina, wieprzowina itp.	20 min
Ryba	Łosoś, sola, dorsz, pstrąg itp.	15 min

* Wszystkie składniki należy pociąć na małe kostki nie większe niż 2-3 cm.

Uwaga: Na miarce pokazane są wartości w mililitrach oraz odpowiadający im czas gotowania w minutach (50 ml = 5 min, 100 ml = 10 min, 150 ml = 15 min, 200 ml = 20 min).

Czyszczenie i konserwacja

Po użyciu zawsze wyczyść urządzenie.

Nigdy nie zanurzaj części silnikowej w wodzie.

Nigdy nie używaj środków wybielających ani chemicznych roztworów/tabletek sterylizujących, aby wyczyścić urządzenie.

Do czyszczenia urządzenia nigdy nie używaj czyścików, środków ściernych ani żrących płynów, takich jak benzyna, aceton czy alkohol.

- 1** Odłącz urządzenie i zdejmij dzbanek z części silnikowej (rys. 19).
- 2** Zdejmij pokrywkę z dzbanka i obróć pokrywkę spodem do góry (rys. 20).
- 3** Wyjmij sitko i zawór z pokrywki. (rys. 21)
- 4** Umyj zawór w ciepłej wodzie z dodatkiem płynu do mycia naczyń i opłucz go pod bieżącą wodą.
- 5** Wyjmij część tnącą z dzbanka (rys. 22).
- 6** Zaraz po użyciu dokładnie umyj pod kranem część tnącą. Pamiętaj także o opłukaniu wnętrza podłużnego elementu części tnącej (rys. 23).

Zachowaj szczególną ostrożność przy dotykaniu części tnącej. Krawędzie tnące są bardzo ostre.

Uwaga: Aby jeszcze dokładniej umyć część tnącą, po opłukaniu możesz umieścić ją w zmywarce.

- 7** Zawsze bezpośrednio po użyciu należy wyczyścić także inne części, które miały kontakt z żywnością. Należy je umyć w gorącej wodzie z dodatkiem płynu do mycia naczyń.

Uwaga: Wszystkie części urządzenia, oprócz części silnikowej, można także myć w zmywarce.

- 8** W razie potrzeby wytrzyj część silnikową wilgotną szmatką.
- 9** Sprawdź, czy do zbiornika wody nie dostały się kawałki jedzenia. W tym celu spójrz przez otwór wlewowy i sprawdź, czy nie są widoczne żadne kawałki pokarmu; możesz także sprawdzić, czy woda nie jest zabarwiona oraz czy nie charakteryzuje się nieprzyjemnym zapachem, w tym zapachem spalenizny. W takim przypadku należy wyczyścić zbiornik wody (patrz część „Czyszczenie zbiornika wody” w tym rozdziale).
- 10** Pozostaw otwartą pokrywkę otworu wlewowego wody, aby zapobiec rozwojowi bakterii.

Usuwanie kamienia ze zbiornika wody

Jeśli do zbiornika wody dostały się kawałki jedzenia, mogą one utknąć na elemencie grzejnym w zbiorniku wody podczas kolejnego procesu gotowania na parze. Kawałków jedzenia nie da się usunąć, płuczac zbiornik wody.

Ponadto kamień z urządzenia należy usuwać co cztery tygodnie, aby zapewnić jego w pełni skuteczne działanie. Aby ograniczyć osadzanie się kamienia, warto używać przegotowanej lub filtrowanej wody.

Aby usunąć resztki jedzenia, które dostały się do wnętrza zbiornika wody oraz usunąć kamień z urządzenia, postępuj zgodnie z poniższymi instrukcjami dotyczącymi usuwania kamienia.

- 1** Upewnij się, że urządzenie jest wyłączone.
- 2** Dodaj 50 ml białego octu (8-procentowego roztworu kwasu octowego) do 150 ml wody.

Uwaga: Można również użyć odkamieniaczy na bazie kwasu cytrynowego. Nie należy używać innych rodzajów odkamieniaczy.

- 3** Wlej do zbiornika wody roztwór octu (lub kwasu cytrynowego) i wody.
- 4** Załóż pokrywkę na otwór wlewowy wody.
- 5** Załóż pusty dzbanek (wewnątrz nie powinny się znajdować żadne pokarmy) z w pełni założoną częścią tnącą oraz z pokrywką na części silnikowej ustawioną w położeniu gotowania na parze (tzn. pokrywka skierowana w dół).
- 6** Obróć pokrętło do pozycji gotowania na parze.
D Zapali się pomarańczowy wskaźnik gotowania na parze.
- 7** Wyłącz urządzenie po 5-6 minutach gotowania na parze i wyjmij jego wtyczkę z gniazdka elektrycznego.
- 8** Wylej ze zbiornika wody zużyty roztwór białego octu (8% kwasu octowego) i wody (rys. 24).
- 9** Kilkakrotnie dokładnie przepłucz zbiornik wody oraz dzbanek świeżą wodą.
- 10** Przed ponownym umieszczeniem jedzenia w urządzeniu napełnij zbiornik 200 ml wody i uruchom pełen proces gotowania (20 min) przy pustym dzbanku.
- 11** Pozostaw otwartą pokrywkę otworu wlewowego wody, aby zapobiec rozwojowi bakterii.

Recykling

- Ten symbol oznacza, że produktu nie można zutylizować z pozostałymi odpadami domowymi (2012/19/UE) (rys. 25).
- Należy postępować zgodnie z obowiązującymi w danym kraju przepisami dotyczącymi selektywnej zbiórki urządzeń elektrycznych i elektronicznych. Prawidłowa utylizacja pomaga chronić środowisko naturalne i ludzkie zdrowie.

Przechowywanie

- 1** Po zakończeniu korzystania z urządzenia opróżnij zbiornik wody (rys. 24).
- 2** Przed przechowaniem urządzenia sprawdź, czy wszystkie części są czyste i suche (patrz rozdział pt. „Czyszczenie i konserwacja”).
- 3** Aby uniknąć szkód i obrażeń ciała, przechowuj część tnącą w dzbanku.
- 4** Nie umieszczaj pokrywki na dzbanku i nie zostawiaj otwartej pokrywki otworu wlewowego wody, aby uniknąć rozwoju bakterii.

Gwarancja i pomoc techniczna

Jeśli potrzebujesz pomocy lub informacji, odwiedź stronę www.philips.com/support lub zapoznaj się z oddzielną ulotką gwarancyjną.

Dane techniczne

- Napięcie/moc: patrz tabliczka znamionowa na spodzie urządzenia.
- Maksymalna pojemność zbiornika wody: 200 ml.
- Maksymalna pojemność dzbanka (płynny): 450 ml.
- Zabezpieczenie: system grzejny z regulacją temperatury i blokada bezpieczeństwa.

Rozwiązywanie problemów

W tym rozdziale opisano najczęstsze problemy, z którymi można się zetknąć, korzystając z urządzenia. Jeśli poniższe wskazówki okażą się niewystarczające do rozwiązania problemu, odwiedź stronę www.philips.com/support, na której znajduje się lista często zadawanych pytań, lub skontaktuj się z Centrum Obsługi Klienta w swoim kraju.

Problem	Prawdopodobna przyczyna	Rozwiązanie
Urządzenie nie działa.	Urządzenie wyposażone jest w blokadę bezpieczeństwa. Urządzenia nie można uruchomić, gdy jego elementy nie są właściwie przymocowane do części silnikowej.	Prawidłowo zamontuj wszystkie części. Patrz rozdział „Zasady używania”.
Wskaźnik gotowania na parze nie świeci się.	Urządzenie nie jest podłączone do sieci elektrycznej.	Włóż wtyczkę do gniazdka elektrycznego.
	Dzbanek nie został prawidłowo umieszczony na części silnikowej.	Prawidłowo umieść dzbanek na części silnikowej.
	Próbujesz uruchomić następny proces gotowania zaraz po zakończeniu poprzedniego.	Przed rozpoczęciem następnego procesu gotowania wyłącz urządzenie i odczekaj kilka minut, aż ostygnie.
Składniki nie podgrzewają się całkowicie.	Kawałki jedzenia są zbyt duże, w dzbanku znajduje się zbyt dużo składników lub proces gotowania nie trwał wystarczająco długo.	Pokrój jedzenie na mniejsze kawałki (2-3 cm), usuń z dzbanka trochę składników lub wybierz dłuższy czas gotowania (maks. 20 minut). Sprawdź w broszurce z przepisami i/lub w tabelce w rozdziale „Składniki i czasy przygotowania”, czy został wybrany właściwy czas gotowania dla wybranych składników lub sprawdź czas przygotowania podany w przepisie.
Proces gotowania nie przebiega poprawnie.	Do urządzenia nie dolano wody.	Wyłącz urządzenie i wlej odpowiednią ilość wody.
	Dzbanek nie został umieszczony na części silnikowej we właściwym położeniu.	Umieść dzbanek w urządzeniu we właściwym położeniu (patrz część „Gotowanie na parze” w rozdziale „Zasady używania”).

Problem	Prawdopodobna przyczyna	Rozwiązanie
Gotowanie trwa zbyt długo lub funkcja gotowania w ogóle nie działa.	W zbiorniku wody znajduje się zbyt dużo kamienia.	Usuń kamień ze zbiornika wody. Patrz rozdział „Czyszczenie i konserwacja”, część „Usuwanie kamienia”.
Z otworu wlewowego wody wydostaje się para.	Pokrywka otworu wlewowego wody została nieprawidłowo założona.	Założ pokrwykę we właściwy sposób na otwór wlewowy wody (usłyszysz „kliknięcie”).
	Otwór wylotowy pary części silnikowej jest zatkany przez jedzenie lub kamień.	Oczyść otwór wylotowy pary spiczastym przedmiotem, uważając, aby nie uszkodzić uszczelki, a w przyszłości postępuj zgodnie ze wskazówkami dotyczącymi usuwania kamienia. Patrz rozdział „Czyszczenie i konserwacja”, część „Usuwanie kamienia”.
	Otwór na parę w pokrywce jest zablokowany.	Zdejmij zawór i dokładnie wyczyść otwór na parę w pokrywce.
Wskaźnik gotowania na parze włącza się ponownie po zakończeniu procesu odkamieniania. Po pewnym czasie ponownie włącza się sygnał dźwiękowy urządzenia.	Włączone urządzenie zostało pozostawione na podstawie przez ponad 10 minut.	Wyłącz urządzenie w ciągu 10 minut po zakończeniu gotowania na parze, a następnie zmiksuj jedzenie lub wyjmij je z dzbanka.
Część tnąca / część silnikowa jest zablokowana.	Zbyt duża ilość składników w dzbanku.	Wyłącz urządzenie i miksuj mniejszą ilość składników. Nie napełniaj dzbanka powyżej górnej krawędzi zielonej części tnącej.
Na początku używania część silnikowa wydziela nieprzyjemny zapach.	Jest to zjawisko normalne.	Jeśli niemiły zapach urządzenia utrzymuje się nawet po kilkukrotnym jego użyciu, sprawdź, czy miksowane ilości składników i czas miksowania są właściwe. Zapoznaj się z rozdziałem „Składniki i czasy przygotowania”.
Po kilkukrotnym użyciu urządzenia nadal wydziela się z niego nieprzyjemny zapach.	W dzbanku znajduje się zbyt dużo składników lub proces miksowania trwał zbyt długo.	Użyj mniejszych ilości jedzenia i nie miksuj dłużej niż 30 sekund bez przerwy.

Problem	Prawdopodobna przyczyna	Rozwiązanie
Urządzenie pracuje bardzo głośno, wydziela nieprzyjemny zapach, nagrzewa się, dymi itp.	Zbyt duża ilość składników w dzbanku.	Wyłącz urządzenie i miksuj mniejszą ilość składników.
	Urządzenie było za długo włączone bez przerwy.	Nie miksuj dłużej niż przez 30 sekund bez przerwy.
Pokrywka dzbanka przecieka.	Pokrywka jest nieprawidłowo założona na dzbanku.	Założ prawidłowo pokrywkę na dzbanku. Patrz rozdział „Zasady używania”.
	Zbyt duża ilość składników w dzbanku.	Wyłącz urządzenie i miksuj mniejszą ilość składników.
Na otworze wlewowym, dzbanku, sitku i/ lub pokrywce znajdują się białe plamy.	Na tych elementach osadził się kamień.	Jest to zjawisko normalne. Kamień należy regularnie usuwać. Patrz rozdział „Czyszczenie i konserwacja”, część „Usuwanie kamienia”.
Podczas miksowania urządzenie pracuje bardzo głośno.	Sitko nie jest przymocowane do pokrywki dzbanka.	Upewnij się, że sitko jest prawidłowo przymocowane do pokrywki dzbanka.
Woda ze zbiornika wody ma nietypowy kolor, gdy dostaje się do dzbanka podczas gotowania lub gdy jest wylewana, albo charakteryzuje się nieprzyjemnym zapachem.	Podczas korzystania z urządzenia do zbiornika wody dostały się kawałki jedzenia.	Wyczyść zbiornik wody zgodnie z instrukcjami zawartymi w rozdziale „Czyszczenie i konserwacja”, w części „Czyszczenie zbiornika wody”. Używaj urządzenia zgodnie z instrukcjami. Upewnij się, że nie napełniasz zbiornika wody zbyt dużą ilością wody (maks. 200 ml) i że nie umieszczasz w dzbanku zbyt dużej ilości składników (nie napełniaj dzbanka powyżej górnej krawędzi zielonej części tnącej). Nie gotuj tych samych składników dłużej niż przez 20 minut ani nie wlewaj wody przeznaczonej do gotowania bezpośrednio do dzbanka. Upewnij się także, że w pokrywce znajduje się zawór.

Problem	Prawdopodobna przyczyna	Rozwiązanie
Ze zbiornika wody wydobywa się zapach smażonego lub przypalonego jedzenia	Podczas korzystania z urządzenia do zbiornika wody dostały się kawałki jedzenia, które przypiekły się do elementu grzejnego.	Wyczyść zbiornik wody zgodnie z instrukcjami zawartymi w rozdziale „Czyszczenie i konserwacja”, w części „Czyszczenie zbiornika wody”. Używaj urządzenia zgodnie z instrukcjami. Upewnij się, że nie napełniasz zbiornika wody zbyt dużą ilością wody (maks. 200 ml) i że nie umieszczasz w dzbanku zbyt dużej ilości składników (nie napełniaj dzbanka powyżej górnej krawędzi zielonej części tnącej). Nie gotuj tych samych składników dłużej niż przez 20 minut ani nie wlewaj wody przeznaczonej do gotowania bezpośrednio do dzbanka. Upewnij się także, że w pokrywce znajduje się zawór.
W jedzeniu dla dziecka są widoczne ciemne drobiny lub woda w dzbanku ma nietypowy kolor.	Podczas korzystania z urządzenia do zbiornika wody dostały się kawałki jedzenia, które przypiekły się do elementu grzejnego. Powoduje to, że resztki jedzenia dostają się do dzbanka podczas gotowania na parze.	Wyczyść zbiornik wody zgodnie z instrukcjami zawartymi w rozdziale „Czyszczenie i konserwacja”, w części „Czyszczenie zbiornika wody”. Używaj urządzenia zgodnie z instrukcjami. Upewnij się, że nie napełniasz zbiornika wody zbyt dużą ilością wody (maks. 200 ml) i że nie umieszczasz w dzbanku zbyt dużej ilości składników (nie napełniaj dzbanka powyżej górnej krawędzi zielonej części tnącej). Nie gotuj tych samych składników dłużej niż przez 20 minut ani nie wlewaj wody przeznaczonej do gotowania bezpośrednio do dzbanka. Upewnij się także, że w pokrywce znajduje się zawór.

Введение

Поздравляем с покупкой! Добро пожаловать в клуб Philips Avent! Чтобы воспользоваться всеми преимуществами поддержки Philips Avent, зарегистрируйте приобретенный продукт на веб-сайте по адресу **www.philips.com/welcome**.

Это устройство, совмещающее в себе функции пароварки и блендера, прекрасно подходит для приготовления небольших порций еды для малышей. Оно будет незаменимым помощником для родителей, позволяя готовить свежую еду для детей с помощью удобных функций пароварки и блендера, совмещенных в одном устройстве.

Общее описание (Рис. 1)

- 1 Крышка с отверстием для пара
- 2 Фильтр
- 3 Ножевой блок
- 4 Кувшин с держателем ножевого блока
- 5 Наливное отверстие резервуара для воды
- 6 Отверстие для выхода пара на блоке электродвигателя
- 7 Область блокирования ручки
- 8 Блок электродвигателя
- 9 Индикатор варки
- 10 Регулятор
- 11 Клапан
- 12 Лопаточка
- 13 Мерный стакан
- 14 Нижняя часть прибора с сетевым шнуром

Важная информация

Перед использованием прибора внимательно ознакомьтесь с руководством пользователя и сохраните его для дальнейшего использования в качестве справочного материала.

Опасно!

- Запрещается погружать блок электродвигателя в воду или другие жидкости, а также промывать его под струей воды.

Предупреждение

- Перед подключением прибора убедитесь, что указанное на нем номинальное напряжение соответствует напряжению местной электросети.
- Запрещено пользоваться прибором, если сетевая вилка, сетевой шнур или сам прибор повреждены.
- В случае повреждения сетевого шнура его необходимо заменить. Чтобы обеспечить безопасную эксплуатацию прибора, заменяйте шнур только в авторизованном сервисном центре Philips или в сервисном центре с персоналом аналогичной квалификации.
- Лица с ограниченными физическими или интеллектуальными возможностями, а также лица с недостаточным опытом и

знаниями могут пользоваться этим прибором только под присмотром или после получения инструкций по безопасному использованию прибора и при условии понимания потенциальных опасностей.

- Запрещается использование прибора детьми. Храните прибор и шнур в недоступном для детей месте.
- Не позволяйте детям играть с прибором.
- Не прикасайтесь к режущим краям ножевого блока, если прибор подключен к электросети или во время очистки. Лезвия очень острые!
- В случае заедания ножевого блока отключите прибор от сети, прежде чем извлечь продукты, препятствующие движению лезвий.
- При использовании функции пароварки прибор сильно нагревается, что может привести к ожогам при непосредственном контакте. Поднимая кувшин, обязательно беритесь за ручку.
- Остерегайтесь выхода горячего пара из кувшина во время приготовления пищи и при снятии крышки.
- Остерегайтесь выхода горячего пара из наливного отверстия резервуара для воды при снятии крышки.
- После завершения процесса обработки паром горячий пар какое-то время продолжает выходить из отверстия для выхода пара на блоке электродвигателя и из отверстия на крышке кувшина. Соблюдайте осторожность, снимая кувшин с блока электродвигателя.
- При неправильном использовании прибора из наливного отверстия может выходить горячий пар. Чтобы избежать возникновения подобной ситуации, а также для ее решения, ознакомьтесь с информацией в главе “Поиск и устранение неисправностей”.
- Не оставляйте включенный прибор без присмотра.
- Запрещается отсоединять блок электродвигателя для очистки прибора или ухода за ним. Отнесите прибор в авторизованный сервисный центр Philips для проведения ремонта.

Внимание!

- Запрещается пользоваться какими-либо аксессуарами или деталями других производителей без специальной рекомендации компании Philips. При использовании таких аксессуаров гарантийные обязательства утрачивают силу.

- Запрещается ставить прибор на включенную или не остывшую плиту или в духовку, а также в непосредственной близости от них.
- Прежде чем убрать прибор на хранение, обязательно отключите его от электросети и дайте ему остыть.
- Никогда не ставьте кувшин или любую другую часть прибора в микроволновую печь. Металлические элементы ручки кувшина и ножевого блока делают прибор непригодным для использования в микроволновой печи.
- Никогда не ставьте кувшин или любую другую часть прибора в микроволновую печь или стерилизатор. Металлические элементы ручки кувшина и ножевого блока делают прибор непригодным для использования в микроволновой печи и стерилизаторе.
- Прибор предназначен только для домашнего использования. В случае неверного использования прибора, в профессиональных или полупрофессиональных условиях или при нарушении правил данного руководства гарантийные обязательства утрачивают силу, и компания Philips не несет ответственности за любой причиненный ущерб.
- Будьте осторожны при наливании горячих жидкостей в стакан: горячая жидкость или пар могут стать причиной ожогов.
- Дайте прибору остыть в течение 10 минут перед приготовлением на пару еще одной порции ингредиентов.
- Прибор не предназначен для измельчения твердых ингредиентов, например кубики льда и сахар-рафинад.
- Запрещается непрерывное использование прибора в качестве блендера более 30 секунд. Если для смешивания требуется более длительное время, выключите прибор через 30 секунд, подождите несколько секунд, затем продолжайте смешивание. Если прибор нагреется, подождите несколько минут, пока он не остынет, затем продолжайте смешивание.
- Установите прибор на устойчивой и ровной горизонтальной поверхности. Убедитесь, что вокруг прибора достаточно свободного места, поскольку недостаток пространства может привести к повреждению мебели или других предметов горячим паром.
- Не пользуйтесь прибором, если он упал или неисправен. По вопросам ремонта обращайтесь в авторизованный сервисный центр Philips.
- Запрещается использовать функцию пароварки без воды.
- Во избежание повреждения прибора запрещается наливать воду, жидкости или измельченные продукты в кувшин для приготовления на пару.

- Убедитесь, что уровень воды в резервуаре не превышает максимально допустимый (200 мл), указанный на мерном стакане.
- Готовя на пару продукты, не наполняйте кувшин выше допустимого уровня. Верхний край зеленого ножевого блока не должен быть покрыт продуктами (Рис. 2).
- Смешивая жидкости, не наполняйте кувшин выше допустимого уровня, указанного на кувшине (450 мл).
- Запрещается вставлять объекты в наливное отверстие или в отверстие для выхода пара.
- Запрещается наполнять резервуар во время работы прибора. Существует вероятность получения ожогов от горячей воды и пара.
- Если после варки необходимо добавить дополнительные ингредиенты для смешивания, убедитесь, что крышка прибора остыла.
- Не подключайте прибор к внешним отключающим устройствам, например, к таймеру, или к сети, в которой возможны сбои подачи электропитания. Это предотвратит возникновение опасных ситуаций в результате случайного сброса аварийного предохранителя.
- Перед кормлением ребенка всегда проверяйте температуру продукта детского питания обратной стороной ладони.
- Всегда проверяйте однородность продуктов детского питания. Убедитесь, что пища не содержит кусочков.
- По окончании процесса приготовления на пару (максимальный цикл приготовления составляет 20 минут), не разогревайте детское питание повторно и не запускайте новый цикл приготовления.
- Извлекайте продукты из кувшина только при помощи прилагаемой лопаточки.
- Регулярная чистка от накипи позволяет предотвратить порчу прибора.
- Прежде чем сменить аксессуар или прикоснуться к частям, движущимся во время работы, убедитесь, что прибор выключен и отключен от источника питания.
- Соблюдайте осторожность при обращении с острыми лезвиями, особенно при опустошении кувшина и во время очистки прибора.
- Отключайте устройство от источника питания, когда оно остается без присмотра.
- Не разрешайте детям осуществлять очистку и обслуживание прибора.
- Уровень шума: $L_c = 89$ дБ(А)

Система безопасности

Прибор оснащен встроенным замком безопасности. Прибор будет работать, только если все детали блока электродвигателя собраны правильно. При правильной сборке всех деталей встроенный замок безопасности будет разблокирован.

В приборе также предусмотрена защита от перегрева. Вероятность перегрева существует в том случае, когда между двумя циклами приготовления на пару прошло слишком мало времени, если функция измельчения работала слишком долго или в кувшин загружено слишком много ингредиентов. Если во время работы срабатывает функция защиты от перегрева, установите переключатель режимов в положение 0 и дайте прибору остыть в течение нескольких минут. После этого прибор снова готов к работе.

Электромагнитные поля (ЭМП)

Этот прибор Philips соответствует всем применимым стандартам и нормам по воздействию электромагнитных полей.

Перед первым использованием

- 1 Снимите весь упаковочный материал с прибора.
- 2 Вымойте все детали прибора, за исключением блока электродвигателя (см. главу “Очистка и уход”).

Использование прибора

Перед кормлением ребенка всегда проверяйте температуру продукта детского питания обратной стороной ладони.

Прежде чем поднять крышку для добавления ингредиентов, убедитесь, что она остыла. Не наполняйте кувшин выше отметки максимального уровня.

Прежде чем снова включить прибор, слейте остатки воды из резервуара и залейте чистую воду.

Перед началом приготовления убедитесь, что продукты не закрывают зеленый ножевой блок.

Смешивая жидкости, не заполняйте прибор выше максимальной отметки, указанной на кувшине (450 мл).

Устройство предназначено для приготовления на пару свежих твердых ингредиентов и их последующего измельчения для получения детского питания. Примеры рецептов можно найти в буклете. Подразумевается, что сначала ингредиенты готовятся на пару, а затем измельчаются. Однако прибор можно также использовать либо только для приготовления продуктов на пару, либо только для измельчения. Если устройство используется в качестве блендера, пропустите разделы “Заполнение резервуара для воды” и “Приготовление на пару”, следуйте инструкциям в разделе “Измельчение”. Не разогревайте на пару измельченные продукты. Не готовьте ингредиенты на пару больше 20 минут и не обрабатывайте их повторно. Прибор НЕ предназначен для:

- разморозки продуктов;
- приготовления на пару замороженных продуктов;
- приготовления на пару измельченных в блендере продуктов;
- приготовления одних и тех же продуктов на пару дольше 20 минут;
- приготовления риса и макаронных изделий;
- измельчения ингредиентов и последующего их приготовления на пару;
- подогрева жидкостей, например супов и воды;
- поддержания температуры продуктов в течение нескольких часов;
- разогрева продуктов.

Заполнение резервуара для воды

1 Наполните мерный стакан водой до необходимого уровня (Рис. 3).

На мерном стакане указан уровень в миллилитрах и необходимое время варки в минутах. Сведения о рекомендуемом количестве продуктов см. в отдельном буклете с рецептами.

Примечание. Не заполняйте мерный стакан выше максимальной отметки (200 мл), это позволит избежать переполнения резервуара для воды.

Примечание. Использование минеральной воды не рекомендуется, поскольку минералы, содержащиеся в такой воде, приводят к образованию накипи в резервуаре.

2 Залейте воду в наливное отверстие и закройте крышку (Рис. 4).

Примечание. Никогда не наливайте в резервуар ничего, кроме воды.

Отпаривание

Некоторые фрукты и овощи, если их предварительно подвергнуть щадящей обработке паром, прекрасно подходят детям, которым можно есть твердую пищу. Обработка паром — наиболее здоровый способ приготовления пищи, в результате которого сохраняется большинство витаминов и других полезных веществ.

Примечание. Рецепты и время приготовления каждого блюда указаны в отдельном буклете. Обратите внимание, что каждый рецепт соответствует определенному возрасту ребенка.

Примечание. Не загружайте в прибор замороженные ингредиенты, прибор не предназначен для нагревания замороженных продуктов до нужной температуры для обработки паром. Перед обработкой паром всегда размораживайте замороженные продукты. Перед тем как положить продукты в кувшин, удалите с них излишнюю жидкость.

1 Поместите ножевой блок на держатель ножевого блока в кувшине (Рис. 5).

2 Прежде чем положить твердые ингредиенты в кувшин, порежьте их на мелкие кусочки (кубики размером не более 2-3 см).

Примечание. Не измельчайте большое количество твердых ингредиентов одновременно. Измельчайте такие ингредиенты небольшими порциями.

3 Поместите ингредиенты в ёмкость (Рис. 6).

Примечание. Не загружайте продукты выше верхнего края зеленого ножевого блока.

Примечание. Чтобы избежать повреждения устройства, никогда не наливайте воду или другую жидкость в кувшин перед запуском процесса приготовления.

4 Установите клапан в крышку (Рис. 7).

Примечание. Убедитесь, что клапан надежно зафиксирован.

5 Установите фильтр в крышку кувшина (раздастся щелчок) (Рис. 8).

6 Закройте кувшин крышкой, поверните крышку по часовой стрелке для фиксации. Небольшие выступы на крышке должны совпасть с пазами на кувшине. Убедитесь, что большой выступ на крышке находится непосредственно над ручкой кувшина (Рис. 9).

7 Поместите кувшин на блок электродвигателя основанием вверх, а крышкой — вниз. Убедитесь, что ручка правильно установлена и находится с правой стороны (Рис. 10).

Примечание. Прибор не будет работать, если крышка и кувшин установлены неправильно.

8 Переведите переключатель режимов в положение обработки паром.

Индикатор варки загорится оранжевым, указывая, что прибор находится в этом режиме (Рис. 11).

Горячий пар или вода могут обжечь пальцы. Избегайте контакта с горячими деталями прибора и паром и не позволяйте это делать детям. Это может привести к ожогам (Рис. 12).

- Время приготовления на пару зависит от количества воды, залитой в резервуар. См. таблицу в главе “Продукты и время приготовления на пару” и буклет с рецептами.
 - Завершение процесса приготовления сопровождается сигналом и выключением индикатора варки.
- 9** Установите переключатель режимов в положение выключения. Чтобы избежать ожогов, подождите 2 минуты, пока пар перестанет появляться из отверстия для выхода пара. (Рис. 13)

Примечание. Если необходимо приготовить на пару еще одну порцию продуктов, перед запуском следующего цикла приготовления дайте прибору остыть в течение 10 минут.

- 10** Если необходимо измельчить приготовленные на пару продукты, следуйте инструкциям в разделе “Измельчение после приготовления на пару”.
- 11** При правильной эксплуатации после приготовления на пару в резервуаре не должно остаться воды. Однако в некоторых случаях (например, при скоплении накипи в резервуаре, при прерывании процесса или при использовании прибора не по назначению) в резервуаре скапливается некоторое количество воды. В этом случае для предотвращения размножения бактерий вылейте остатки воды из резервуара. Инструкции по очистке резервуара от накипи см. в главе “Очистка и уход”.

Измельчение после приготовления на пару

- 1** Возьмите кувшин за ручку и снимите его с блока электродвигателя. Поверните кувшин и встряхните, чтобы пища попала в режущий блок (Рис. 14).

Берите кувшин только за ручку. Нижняя часть крышки и внешняя поверхность кувшина горячие (Рис. 15).

- 2** При необходимости снимите крышку и добавьте дополнительные ингредиенты для смешивания (например, вода или масло).

Прежде чем открыть крышку кувшина или резервуара для воды, чтобы добавить новые ингредиенты или вылить оставшуюся воду из резервуара, убедитесь, что они остыли после приготовления на пару.

После добавления жидкости в кувшин, никогда не включайте режим приготовления на пару.

- 3** Поставьте кувшин вертикально на блок электродвигателя (крышка должна быть направлена вверх). Убедитесь, что ручка находится справа и расположена между двумя ребрами области блокирования (Рис. 16).
- 4** Поверните переключатель режимов в положение измельчения. Удерживайте переключатель в таком положении до тех пор, пока продукты не будут измельчены до нужной консистенции (Рис. 17).

Запрещается непрерывное использование прибора в качестве блендера более 30 секунд. Если для смешивания требуется более длительное время, выключите прибор через 30 секунд, подождите несколько секунд, затем продолжайте смешивание. Если прибор нагреется, подождите несколько минут, пока он не остынет, затем продолжайте смешивание.

Примечание. Если ингредиенты прилипают к стенкам кувшина блендера, выключите прибор и снимите их с помощью лопатки или добавьте немного жидкости.

Примечание. Перед кормлением убедитесь, что смешанное детское питание имеет правильную консистенцию (в частности, не содержит комков).

Примечание. Если детское питание получилось слишком густым, добавьте немного жидкости (например, воды) для образования мягкой однородной массы.

5 После смешивания просто отпустите переключатель режимов (Рис. 18).

▶ Переключатель автоматически вернется в положение Off (Выкл.).

6 Извлеките измельченные продукты из кувшина. При необходимости воспользуйтесь прилагаемой лопаточкой.

Убедитесь, что температура пищи безопасна для ребенка.

7 Отключите прибор от электросети.

8 При правильной эксплуатации после приготовления на пару в резервуаре не должно остаться воды. Однако в некоторых случаях (например, при скоплении накипи в резервуаре, при прерывании процесса или при использовании прибора не по назначению) в резервуаре скапливается некоторое количество воды. В этом случае для предотвращения размножения бактерий вылейте остатки воды из резервуара. Инструкции по очистке резервуара от накипи см. в главе “Очистка и уход”.

Измельчение без предварительного приготовления на пару

Прибор предназначен для следующих целей:

- приготовление пюре для детского питания из обработанных паром и вареных ингредиентов
- смешивание жидкостей и фруктов для ребенка

Прибор не предназначен для измельчения твердых ингредиентов, например кубики льда и сахар-рафинад.

После добавления жидкости в кувшин никогда не включайте режим приготовления на пару.

Примечание. При смешивании жидкостей убедитесь, что жидкость в кувшине не превышает максимальную отметку.

Примечание. Никогда не готовьте на пару детское питание после измельчения в блендере.

1 Поместите ножевой блок на держатель ножевого блока в кувшине (Рис. 5).

2 Прежде чем положить твердые ингредиенты в кувшин, порежьте их на мелкие кусочки (кубики размером не более 2-3 см).

Совет. Не измельчайте большое количество твердых ингредиентов одновременно. Измельчайте такие ингредиенты небольшими порциями.

3 Поместите ингредиенты в ёмкость. (Рис. 6)

Примечание. Не загружайте продукты выше верхнего края зеленого ножевого блока.

4 Установите клапан в крышку (Рис. 7).

Примечание. Убедитесь, что клапан надежно зафиксирован.

5 Установите фильтр в крышку кувшина (раздастся щелчок) (Рис. 8).

6 Закройте кувшин крышкой, поверните крышку по часовой стрелке для фиксации. Небольшие выступы на крышке должны совпасть с пазами на кувшине. Убедитесь, что большой выступ на крышке находится непосредственно над ручкой кувшина. (Рис. 9)

7 Поставьте кувшин вертикально на блок электродвигателя (крышка должна быть направлена вверх). Убедитесь, что ручка находится справа и расположена между двумя ребрами области блокирования (Рис. 16).

- 8** Переведите переключатель режимов в положение смешивания. Оставьте переключатель в этом положении на необходимое время, но не более чем на 30 секунд (Рис. 17).

Примечание. Если продукты прилипли к стенкам кувшина, отключите устройство и, добавив немного воды или используя лопаточку, снимите продукты со стенок. Не наполняйте кувшин выше максимально допустимого уровня.

Примечание. Перед кормлением убедитесь, что смешанное детское питание имеет правильную консистенцию (в частности, не содержит комков).

Примечание. Если детское питание получилось слишком густым, добавьте немного жидкости (например, воды) для образования мягкой однородной массы. Не наполняйте кувшин выше отметки максимального уровня.

Примечание. Никогда не готовьте на пару детское питание после измельчения в блендере.

Запрещается непрерывное использование прибора в качестве блендера более 30 секунд. Если для измельчения требуется более длительное время, выключите прибор через 30 секунд, подождите несколько секунд, затем продолжите измельчение. Если прибор нагреется, подождите несколько минут, пока он остынет, затем продолжайте работу.

- 9** После смешивания просто отпустите переключатель режимов. (Рис. 18)
 ► Переключатель автоматически вернется в положение Off (Выкл.).
- 10** Извлеките измельченные продукты из кувшина. При необходимости воспользуйтесь прилагаемой лопаточкой.

Убедитесь, что температура пищи безопасна для ребенка.

- 11** Отключите прибор от электросети.

Ингредиенты и время обработки паром

Тип продуктов	Ингредиенты	Приблизительное время обработки паром*
Фрукты	Яблоки	5 минут
	Апельсины	10 мин.
	Персики	10 мин.
	Груши	5 минут
	Ананас	15 мин.
	Сливы	10 мин.
Овощи	Спаржа	10 мин.
	Брокколи	20 минут
	Морковь	15 мин.
	Цветная капуста	15 мин.
	Сельдерей	15 мин.
	Цукини	15 мин.
	Фенхель	15 мин.
Фасоль	20 минут	

Тип продуктов	Ингредиенты	Приблизительное время обработки паром*
	Лук-порей	15 мин.
	Лук	15 мин.
	Горох	20 минут
	Перец	15 мин.
	Картофель	20 минут
	Тыква	15 мин.
	Шпинат	15 мин.
	Брюква	15 мин.
	Батат	15 мин.
	Помидоры	15 мин.
Мясо	Куриное мясо, говядина, баранина, свинина и т.д.	20 минут
Рыба	Лосось, камбала, треска, форель и т.д.	15 мин.

* Все продукты необходимо порезать небольшими кубиками размером не более 2-3 см.

Примечание. На мерном стакане указан уровень в миллилитрах и соответствующее время обработки паром в минутах (50 мл = 5 мин, 100 мл = 10 мин, 150 мл = 15 мин, 200 мл = 20 мин).

Очистка и уход

Всегда очищайте устройство после использования.

Запрещается погружать блок электродвигателя в воду.

Никогда не используйте отбеливатель или химические вещества/таблетки для стерилизации прибора.

Запрещается использовать для чистки прибора губки с абразивным покрытием, абразивные чистящие средства или такие растворители, как бензин, ацетон или спирт.

- 1** Отключите прибор от сети и снимите кувшин с блока электродвигателя (Рис. 19).
- 2** С кувшина снимите крышку и переверните ее (Рис. 20).
- 3** Снимите фильтр и клапан с крышки. (Рис. 21)
- 4** Вымойте клапан теплой водой с добавлением моющего средства, затем сполосните клапан.
- 5** С кувшина снимите ножевой блок (Рис. 22).
- 6** Тщательно промойте режущий блок под струей воды сразу после использования. Обязательно промойте внутреннюю часть режущего блока (Рис. 23).

При очистке ножевого блока будьте очень осторожны. Лезвия ножей очень острые!

Примечание. Если промывки под струей воды недостаточно, можно вымыть режущий блок более тщательно в посудомоечной машине.

- 7** Сразу после использования прибора промойте все детали, которые соприкасались с пищевыми продуктами, в горячей воде с небольшим количеством моющего средства.

Примечание. Все части прибора, кроме блока электродвигателя, можно мыть в посудомоечной машине.

- 8** При необходимости очистите блок электродвигателя влажной тканью.
- 9** Убедитесь, что частички пищи не попали в резервуар для воды. Это можно проверить, заглянув в наливное отверстие или обратив внимание на цвет и запах воды. Если в резервуар попали частички продуктов, цвет воды изменился или резервуар издает неприятный запах или запах дыма, очистите резервуар для воды (см. раздел “Очистка резервуара для воды” в этой главе).
- 10** Чтобы предотвратить рост бактерий, откройте крышку наливного отверстия.

Очистка резервуара от накипи

Если частички продуктов попали в резервуар для воды, они могут попасть на нагревательный элемент резервуара для воды во время следующего цикла приготовления пищи на пару. Их нельзя удалить, промыв резервуар.

Для обеспечения эффективной работы прибора очищайте прибор от накипи один раз в месяц. Для уменьшения образования минеральных отложений используйте кипяченую или фильтрованную воду.

Чтобы удалить частички пищи, скопившиеся в резервуаре для воды, и очистить устройство от накипи, следуйте инструкциям, приведенным ниже.

- 1** Прибор должен быть выключен.
- 2** Смешайте 50 мл белого уксуса (8 % уксусной кислоты) и 150 мл воды.
- Примечание. Также можно использовать средства для удаления накипи на основе лимонной кислоты. Не используйте другие виды средств для удаления накипи.*
- 3** Налейте в резервуар раствор из уксусной (или лимонной) кислоты и воды.
- 4** Закройте крышку наливного отверстия.
- 5** Поставьте собранный пустой кувшин (без продуктов) с установленным ножевым блоком и крышкой на блок электродвигателя (крышка должна смотреть вниз).
- 6** Переключите переключатель режимов в положение приготовления на пару.
 ► Индикатор варки загорится оранжевым, указывая, что прибор находится в этом режиме.
- 7** Через 5-6 минут работы выключите прибор и отключите его от электросети.
- 8** Вылейте воду и белый уксус (8 % уксусной кислоты) из резервуара. (Рис. 24).
- 9** Несколько раз тщательно промойте резервуар и кувшин чистой водой.
- 10** Налейте в резервуар 200 мл воды, поставьте пустой кувшин на блок электродвигателя и включите прибор на 20 минут, прежде чем использовать его для приготовления пищи.
- 11** Чтобы предотвратить рост бактерий, откройте крышку наливного отверстия.

Утилизация

- Этот символ означает, что продукт не может быть утилизирован вместе с бытовыми отходами (2012/19/ЕС) (Рис. 25).
- Следуйте местным правилам по отдельной утилизации электронных и электрических изделий. Правильная утилизация поможет предотвратить негативное воздействие на окружающую среду и здоровье человека.

Хранение

- 1 Прежде чем убрать прибор на хранение, слейте воду из резервуара (Рис. 24).
- 2 Прежде чем убрать прибор на хранение, убедитесь, что все его детали сухие и чистые (см. главу “Очистка и уход”).
- 3 Для предотвращения повреждений храните ножевой блок в кувшине блендера.
- 4 Чтобы избежать роста бактерий, не закрывайте кувшин и наливное отверстие крышкой.

Гарантия и поддержка

Для получения поддержки или информации посетите веб-сайт www.philips.com/support или ознакомьтесь с информацией на гарантийном талоне.

Технические характеристики

- Питание (В/Вт): см. заводскую наклейку на нижней панели прибора.
- Макс. объем резервуара для воды: 200 мл.
- Макс. объем кувшина, жидкостей: 450 мл.
- Защита: система управления нагревом и встроенный замок безопасности.

Поиск и устранение неисправностей

Данная глава посвящена наиболее распространенным проблемам, возникающим при использовании прибора. Если самостоятельно справиться с возникшими проблемами не удастся, см. список часто задаваемых вопросов на веб-странице www.philips.com/support или обратитесь в центр поддержки потребителей в вашей стране.

Проблема	Возможная причина	Способы решения
Прибор не работает.	Прибор оснащен встроенным замком безопасности. Прибор может быть включен только в случае правильного подсоединения всех деталей к блоку электродвигателя.	Чтобы правильно собрать все детали прибора, см. главу “Эксплуатация прибора”.
Не горит индикатор варки.	Прибор не подключен к электросети.	Вставьте вилку сетевого шнура в розетку электросети.
	Кувшин установлен на блок электродвигателя неправильно.	Установите кувшин на блок электродвигателя должным образом.
	Требуется повторить обработку паром.	Выключите прибор и дайте ему остыть в течение нескольких минут перед началом повторной обработки паром.

Проблема	Возможная причина	Способы решения
Ингредиенты прогреваются не полностью.	Кусочки продуктов в кувшине блендера слишком велики. Слишком много продуктов в кувшине. Продукты обрабатывались паром недостаточно долго.	Нарежьте продукты на более маленькие кусочки (2-3 см), положите в кувшин меньше продуктов или выберите более длительное время приготовления (максимум 20 минут). Ознакомьтесь с буклетом рецептов и/или таблицей в главе "Продукты и время приготовления на пару", чтобы убедиться, что для продуктов или рецепта выбрано правильное время приготовления.
Прибор не вырабатывает пар.	Необходимо добавить воды в прибор. Кувшин неправильно установлен на блоке электродвигателя.	Выключите прибор и заполните прибор необходимым количеством воды. Установите кувшин должным образом (см. раздел "Приготовление на пару" в главе "Эксплуатация прибора").
Обработка паром выполняется слишком долго, или функция обработки не работает.	В резервуаре для воды слишком много накипи.	Очистите резервуар для воды от накипи. См. главу "Очистка и уход", раздел "Очистка от накипи".
Пар выходит из наливного отверстия.	Неплотно закрыта крышка наливного отверстия. Отверстие для выхода пара на блоке электродвигателя забились кусочками пищи или частицами накипи.	Плотно закройте крышку наливного отверстия (должен прозвучать щелчок). Очистите отверстие для выхода пара заостренным предметом, стараясь не повредить уплотнитель. Регулярно выполняйте очистку от накипи в соответствии с инструкциями. См. главу "Очистка и уход", раздел "Очистка от накипи".
	Отверстие для пара в крышке засорилось.	Снимите клапан и тщательно очистите отверстие для пара в крышке.
После завершения процесса приготовления на пару снова включается индикатор варки. Через некоторое время устройство снова подает звуковой сигнал.	Кувшин был оставлен на базе более чем на 10 минут при включенном устройстве.	Выключите прибор в течение 10 минут после окончания обработки паром, затем смешайте пищу или извлеките ее из кувшина.

Проблема	Возможная причина	Способы решения
Режущий блок или блок электродвигателя заблокированы.	Кувшин блендера перегружен продуктами.	Выключите прибор, выложите часть продуктов. Не наполняйте кувшин выше верхнего края зеленого ножевого блока.
После первого включения электродвигателя появляется неприятный запах.	Это нормально.	Если запах от прибора остается при последующем использовании, проверьте, не превышено ли количество загруженных продуктов и время работы прибора. См. главу "Продукты и время приготовления на пару".
Запах прибора остается при последующем использовании.	В кувшине блендера слишком много продуктов или прибор работал слишком долго.	Готовьте меньшее количество продуктов и не включайте блендер более чем на 30 секунд непрерывной работы.
Прибор издает сильный шум, распространяет запах, нагревается, дымит и т.д.	Кувшин блендера перегружен продуктами.	Отключите прибор и уменьшите объем продуктов.
	Прибор использовался долгое время и без перерывов.	Не включайте блендер более чем на 30 секунд непрерывной работы.
Крышка кувшина протекает.	Крышка установлена на кувшин неправильно.	Закройте кувшин крышкой должным образом. См. главу "Эксплуатация прибора".
	Кувшин блендера перегружен продуктами.	Отключите прибор и уменьшите объем продуктов.
На наливном отверстии и/или на кувшине, фильтре и крышке заметны белые пятна.	На этих деталях образовалась накипь.	Это не является неисправностью. Регулярно очищайте прибор от накипи. См. главу "Очистка и уход", раздел "Очистка от накипи".
Процесс смешивания сопровождается сильным шумом.	Фильтр на крышке кувшина плохо закреплен.	Убедитесь, что фильтр на крышке кувшина закреплен должным образом.

Проблема	Возможная причина	Способы решения
<p>Вода в резервуаре необычного цвета (это заметно при сливе остатков воды или при попадании воды в кувшин во время процесса приготовления), или вода в резервуаре имеет неприятный запах.</p>	<p>Во время использования в резервуар попали частицы продуктов.</p>	<p>Очистите резервуар от накипи, следуя инструкциям в главе "Очистка и уход", в разделе "Очистка резервуара для воды". Используйте прибор строго в соответствии с инструкциями. Не наполняйте резервуар водой выше максимальной отметки (максимум 200 мл), не кладите в кувшин слишком много продуктов (не наполняйте кувшин выше верхнего края зеленого ножевого блока). Не готовьте одни и те же ингредиенты более 20 минут и не наливайте воду перед приготовлением на пару непосредственно в кувшин. Также всегда проверяйте, чтобы клапан был зафиксирован в крышке.</p>
<p>Из резервуара для воды пахнет гарью.</p>	<p>Во время использования в резервуар попали частицы продуктов, которые пригорели к нагревательному элементу.</p>	<p>Очистите резервуар от накипи, следуя инструкциям в главе "Очистка и уход", в разделе "Очистка резервуара для воды". Используйте прибор строго в соответствии с инструкциями. Не наполняйте резервуар водой выше максимальной отметки (максимум 200 мл), не кладите в кувшин слишком много продуктов (не наполняйте кувшин выше верхнего края зеленого ножевого блока). Не готовьте одни и те же ингредиенты более 20 минут и не наливайте воду перед приготовлением на пару непосредственно в кувшин. Также всегда проверяйте, чтобы клапан был зафиксирован в крышке.</p>
<p>В детском питании есть темные пятна или вода в кувшине необычного цвета.</p>	<p>Во время использования в резервуар попали частицы продуктов, которые пригорели к нагревательному элементу. Это приводит к тому, что остатки этих частичек попадают в кувшин во время процесса приготовления пищи.</p>	<p>Очистите резервуар от накипи, следуя инструкциям в главе "Очистка и уход", в разделе "Очистка резервуара для воды". Используйте прибор строго в соответствии с инструкциями. Не наполняйте резервуар водой выше максимальной отметки (максимум 200 мл), не кладите в кувшин слишком много продуктов (не наполняйте кувшин выше верхнего края зеленого ножевого блока). Не готовьте одни и те же ингредиенты более 20 минут и не наливайте воду перед приготовлением на пару непосредственно в кувшин. Также всегда проверяйте, чтобы клапан был зафиксирован в крышке.</p>

Uvod

Čestitamo vam za nakup in dobrodošli pri Philips Avent! Če želite popolnoma izkoristiti podporo, ki jo nudi Philips Avent, registrirajte izdelek na www.philips.com/welcome. Kombinirani soparnik z mešalnikom je posebej primeren za pripravo majhnih količin otroške hrane. S preprostima funkcijama za kuhanje v pari in mešanje predstavlja ta kombinirani aparat dobrodošlo pomoč staršem pri pripravi svežih obrokov otroške hrane.

Splošni opis (Sl. 1)

- 1 Pokrov z odprtino za paro
- 2 Cedilo
- 3 Rezilna enota
- 4 Posoda z nosilcem rezilne enote
- 5 Odprtina za polnjenje zbiralnika za vodo
- 6 Izhod za paro na motorni enoti
- 7 Zaklepno mesto za ročaj
- 8 Motorna enota
- 9 Indikator za izpust pare
- 10 Regulator
- 11 Ventil
- 12 Lopatica
- 13 Merilna posodica
- 14 Spodnji del aparata z omrežnim kablom

Pomembno

Pred uporabo aparata natančno preberite ta uporabniški priročnik in ga shranite za poznejšo uporabo.

Nevarnost

- Motorne enote ne potaplajte v vodo ali drugo tekočino in je ne spirajte pod tekočo vodo.

Opozorilo

- Preden priključite aparat na električno omrežje, preverite, ali napetost, navedena na aparatu, ustreza napetosti lokalnega električnega omrežja.
- Aparata ne uporabljajte, če je poškodovan vtič, omrežni kabel ali sam aparat.
- Poškodovani omrežni kabel sme zamenjati le podjetje Philips, Philipsov pooblaščen servis ali ustrezno usposobljeno oseboje.
- Ta aparat lahko uporabljajo osebe z zmanjšanimi fizičnimi ali psihičnimi sposobnostmi ali s pomanjkljivimi izkušnjami in znanjem, če so prejele navodila glede varne uporabe aparata ali jih pri uporabi nadzoruje odgovorna oseba, ki jih opozori na morebitne nevarnosti.
- Aparata ne smejo uporabljati otroci. Aparat in omrežni kabel hranite izven dosega otrok.
- Otroci se z aparatom ne smejo igrati.

- Ne dotikajte se robov rezilnih enot, ko je aparat priključen na napajanje. Rezilni robovi so zelo ostri.
- Če se rezilna enota zatakne, aparat izključite iz električnega omrežja in šele nato odstranite hrano, ki blokira rezilno enoto.
- Aparat se med kuhanjem v pari zelo segreje, zato se ga ne dotikajte, da se ne opečete. Posode se dotikajte samo za ročaj.
- Pazite na vročo paro, ki uhaja iz posode med kuhanjem v pari in ko odstranite pokrov.
- Pazite na vročo paro, ki uhaja iz odprtine za polnjenje zbiralnika za vodo ob odpiranju pokrova.
- Ko je kuhanje v pari končano, vroča para še nekaj časa uhaja iz izhoda za paro na motorni enoti in odprtine za paro v pokrovu posode. Bodite previdni, ko posodo dvignete z motorne enote.
- Če aparat uporabljate nepravilno, lahko začne iz odprtine za polnjenje uhajati vroča para. Da bi to preprečili ali odpravili, si oglejte poglavje "Odpravljanje težav".
- Aparata ne pustite delovati brez nadzora.
- Ne razstavljajte motorne enote za vzdrževanje in čiščenje. Odnosite jo na Philipsov pooblaščen servis za popravilo.

Previdno

- Ne uporabljajte nastavkov ali delov drugih proizvajalcev, ki jih Philips posebej ne priporoča. V primeru uporabe tovrstnih nastavkov se garancija razveljavi.
- Aparata ne nameščajte na ali ob delujočo ali vročo pečico ali kuhalnik.
- Aparat pred čiščenjem vedno izključite iz električnega omrežja in počakajte, da se ohladi.
- Posode ali drugih delov aparata ne uporabljajte v mikrovalovni pečici, ker kovinski deli ročaja posode in rezilna enota niso primerni za to uporabo.
- Posode ali drugih delov aparata ne sterilizirajte v mikrovalovni pečici ali sterilizatorju, ker kovinski deli ročaja posode in rezilna enota niso primerni za to uporabo.
- Aparat je namenjen izključno uporabi v gospodinjstvu. Če se aparat uporablja nepravilno ali v profesionalne oziroma polprofesionalne namene oziroma na način, ki ni v skladu z navodili za uporabo, postane garancija neveljavna, Philips pa ne prevzema nikakršne odgovornosti za morebitno povzročeno škodo.
- Pri nalivanju vroče tekočine v vrč bodite previdni, ker se lahko opečete z vročo tekočino ali paro.
- Pred obdelavo novih sestavin počakajte 10 minut, da se aparat ohladi.

- Aparat ni namenjen sekljanju trdih sestavin, kot so ledene in sladkorne kocke.
- Aparata ne uporabljajte za mešanje neprekinjeno dlje kot 30 sekund. Če po 30 sekundah mešanja še niste končali, izklopite aparat in znova nadaljujte čez nekaj sekund. Če aparat postane vroč, pred nadaljevanjem počakajte nekaj minut, da se ohladi.
- Aparat postavite na stabilno, ravno in vodoravno površino. Poskrbite, da je okoli njega dovolj prostora, da preprečite poškodbe na omarah ali drugih predmetih, ker naprava med uporabo oddaja vročo paro.
- Ne uporabljajte aparata, če je padel na tla ali je kakorkoli poškodovan. V popravilo ga odnesite na Philipsov pooblaščen servis.
- V posodo za kuhanje v pari ne dolivajte vode, drugih tekočin ali zmešane hrane, da preprečite poškodovanje aparata.
- Ne uporabljajte funkcije za kuhanje v pari brez vode.
- Zbiralnika za vodo ne napolnite preveč (največ 200 ml). Ne presežite najvišjega nivoja, ki je označen na merilni posodici.
- Pri kuhanju sestavin s paro zagotovite, da posode ne napolnite preveč. Prepričajte se, da zgornji rob zelene rezilna enota ni prekrit s hrano (Sl. 2).
- Pri mešanju tekočin ne presežite najvišjega nivoja, ki je označen na posodi (450 ml).
- V odprtino za polnjenje ali izhod za paro ne vstavljajte predmetov.
- Med kuhanjem v pari ne polnite zbiralnika za vodo, kar zato iz aparata lahko začneta uhajati vroča voda in para.
- Preden odprete pokrov zaradi dodajanja sestavin za mešanje, če je to potrebno, preverite, ali se je pokrov po kuhanju v pari ohladil.
- Naprave ne priključite na zunanjo preklopno napravo, kot je časovnik, ali na napravo, ki ga pripomoček redno vklaplja in izklaplja. Tako preprečite nevarnost zaradi nepravilno ponastavljene termične varovalke.
- Pred hranjenjem preverite temperaturo otroške hrane s hrbtno stranjo dlani.
- Preverite gostoto otroške hrane. Poskrbite, da v hrani ni grudic.
- Ko je kuhanje v pari (največ 20 minut) končano, otroške hrane ne kuhajte več v pari ali pogrevajte.
- Hrano iz posode odstranjujte samo s priloženo lopatico.
- Z rednim odstranjevanjem vodnega kamna preprečite nastanek poškodb na aparatu.
- Preden zamenjate nastavke ali se približate delom, ki se med uporabo premikajo, aparat izklopite in izključite iz napajanja.

- Pri rokovanju z ostrimi rezili pri praznjenju posode in med čiščenjem bodite previdni.
- Če naprave ne uporabljate, jo izključite iz napajanja.
- Otroci ne smejo čistiti in vzdrževati aparata.
- Raven hrupa: $L_c = 89 \text{ dB(A)}$.

Varnostni sistem

Aparat ima vgrajeno varnostno ključavnico. Aparat deluje samo, če ste vse dele pravilno namestili na motorno enoto. Če so vsi deli pravilno sestavljeni, se vgrajena varnostna ključavnica odklene. Aparat ima zaščito pred pregrevanjem. Aparat se lahko pregreje, če je čas med dvema postopkoma kuhanja v pari prekratek, če funkcijo mešanja uporabljate predolgo ali če je posodi preveč sestavin. Če zaščita pred pregrevanjem med uporabo izklopi aparat, regulator premaknite na položaj 0 in počakajte nekaj minut, da se aparat ohladi. Po tem lahko ponovno uporabite aparat.

Elektromagnetna polja (EMF)

Ta Philipsov aparat ustreza vsem veljavnim standardom in predpisom glede izpostavljenosti elektromagnetnim poljem.

Pred prvo uporabo

- 1 Z aparata odstranite vso embalažo.
- 2 Očistite vse dele razen motorne enote (oglejte si poglavje "Čiščenje in vzdrževanje").

Uporaba aparata

Pred hranjenjem preverite temperaturo otroške hrane s hrbtno stranjo dlani.

Preverite, da se je pokrov po kuhanju v pari ohladil, preden ga odstranite in dodate nove sestavine za mešanje. Ne prekoračite najvišjega nivoja, ki je označen na posodi.

Izpraznite zbiralnik za vodo, preden ga ponovno napolnite in začnete s novim ciklom kuhanja v pari.

Pred začetkom kuhanja v pari se vedno prepričajte, da zgornji rob zelene rezilna enota ni prekrit s hrano.

Pri mešanju tekočin ne presežite najvišjega nivoja, ki je označen na posodi /450 ml).

Ta aparat se uporablja za kuhanje svežih trdnih sestavin in za njihovo mešanje v otroško hrano. Primere si oglejte v knjižici z recepti. Sestavine običajno najprej skuhate v pari in šele nato zmešate. Aparat pa lahko uporabite tudi samo za kuhanje v pari ali mešanje. Če uporabite aparat samo za mešanje, preskočite razdelka "Polnjenje zbiralnika za vodo" in "Kuhanje v pari" ter sledite samo navodilom v razdelku "Mešanje". Zmešane hrane ne kuhajte v pari. Istih sestavin nikoli ne kuhajte v pari dlje kot 20 minut in jih ne kuhajte več kot enkrat.

Aparat ni namenjen za:

- odmrzovanje hrane,
- kuhanje zamrznjene hrane v pari,
- kuhanje premešane hrane,
- kuhanje istih sestavin v pari dlje kot 20 minut,
- kuhanje riža in testenin,
- najprej mešanje in nato kuhanje sestavin v pari,
- pogrevanje tekočin, kot sta juha in voda,
- večurno ohranjanje toplote hrane,
- pogrevanje hrane.

Polnjenje zbiralnika za vodo

1 Merilno posodico napolnite z vodo do zahtevanega nivoja (Sl. 3).

Na merilni posodici so prikazani mililitri in ustrezen čas kuhanja v pari v minutah. Za priporočene količine za recepte si oglejte ločeno knjižico z recepti.

Opomba: Ne presežite najvišjega nivoja, ki je označen na merilni posodici (200 ml), da zbiralnika za vodo ne napolnite preveč.

Opomba: Priporočamo vam, da ne uporabljate mineralne vode, saj minerali v tej vrsti vode povzročijo nabiranje vodnega kamna v zbiralniku za vodo.

2 Nalijte vodo v odprtino za polnjenje in zaprite pokrov (Sl. 4).

Opomba: V zbiralnik za vodo lahko dolivate samo vodo.

Likanje s paro

Določeno sadje in zelenjava, ki ju zmerno skuhate v pari, predstavljata popolno hrano za dojenčke, ki so začeli jesti trdo hrano. Kuhanje v pari je najbolj zdrav način priprave hrane, saj se pri tem ohrani veliko vitaminov in drugih zdravih hranil.

Opomba: Recepte in čas kuhanja lahko najdete tudi v ločeni knjižici z recepti. Recepti so prirejeni starosti otroka.

Opomba: V pari ne kuhajte zamrznjenih sestavin, ker aparat zamrznjene hrane ne more segreti na zahtevano temperaturo. Zamrznjene sestavine pred kuhanjem s tem aparatom vedno odmrznite. Otesite odvečno vodo z odmrznjenih sestavin, preden jih dodate v posodo.

1 Rezilno enoto namestite na nosilec rezilne enote v posodi (Sl. 5).

2 Preden trde sestavine dodate v posodo, jih narežite na majhne kose (kocke velikosti do 2–3 cm).

Opomba: Ne obdelujte večjih količin trdnih sestavin naenkrat. Te sestavine raje obdelujte v manjših količinah.

3 Sestavine dajte v posodo (Sl. 6).

Opomba: Ne prekoračite najvišjega roba zelene rezilne enote.

Opomba: V posodo za kuhanje v pari ne dolivajte vode ali druge tekočine, da preprečite poškodovanje aparata.

4 Ventil namestite v pokrov (Sl. 7).

Opomba: Prepričajte se, da je ventil pravilno pritrjen.

5 V pokrov posode vstavite cedilo ("klik") (Sl. 8).

6 Pokrov namestite na posodo in obrnite v desno, da ga pritrdite. Majhne izbokline na pokrovu se morajo prilegati v utore na posodi. Poskrbite, da je velika izboklina pokrova nameščena točno nad ročajem posode (Sl. 9).

7 Posodo obrnite tako, da je pokrov usmerjen navzdol, in jo postavite na motorno enoto. Ročaj mora biti na desni strani in pravilno nameščen (Sl. 10).

Opomba: Aparat ne začne s kuhanjem v pari, če posoda in ročaj nista na pravem položaju.

8 Obrnite regulator na položaj za kuhanje v pari.

▶ Indikator za izpust pare zasveti oranžno, kar pomeni, da se hrana v aparatu kuha v pari (Sl. 11).

Vroča para ali vroča voda vas lahko opeče po prstih. Vi in otroci se ne dotikajte vročih delov in pare, ker se lahko oparite (Sl. 12).

▶ Čas kuhanja v pari je odvisen od količine vode v zbiralniku za vodo. Oglejte si preglednico v poglavju "Sestavine in čas kuhanja v pari" in knjižico z recepti.

► Ko je kuhanje v pari končano, odda aparat brenčoč zvok, indikator za izpust pare pa neha svetiti.

9 Regulator obrnite na položaj za izklop. Počakajte 2 minuti, da para preneha uhajati iz izhoda za paro, da se ne opečete z njo. (Sl. 13)

Opomba: Če želite v pari skuhati nove sestavine, počakajte 10 minut, da se aparat ohladi, preden začnete ponovno kuhati v pari.

10 Če želite nadaljevati z mešanjem v pari kuhane hrane, sledite navodilom v razdelku "Mešanje po kuhanju v pari" spodaj.

11 V normalnih pogojih je zbiralnik za vodo po kuhanju v pari prazen. Vendar pa v nekaterih primerih (kot so nabiranje vodnega kamna v zbiralniku za vodo, prekinitvev kuhanja v pari ali nedovoljena uporaba) v zbiralniku lahko ostane nekaj vode. V tem primeru zbiralnik za vodo po uporabi povsem izpraznite, da preprečite razvoj bakterij. Navodila za odstranitev vodnega kamna iz zbiralnika za vodo si oglejte v poglavju "Čiščenje in vzdrževanje".

Mešanje po kuhanju v pari

1 Primate posodo za ročaj in jo dvignite z motorne enote. Obrnite posodo na glavo in jo stresite tako, da pade hrana na rezilno enoto (Sl. 14).

Dotikajte se samo ročaja posode. Pokrov, spodnji del in zunanja površina posode so vroči (Sl. 15).

2 Če je treba, odstranite pokrov in dodajte sestavine za mešanje (na primer vodo ali olje).

Po kuhanju v pari počakajte, da se pokrov posode in pokrov zbiralnika za vodo ohladita, preden ju odprete, da bi v posodo dodali več sestavin ali odstranili preostalo vodo iz zbiralnika za vodo.

Ko so tekočine v posodi, je ne postavljajte na v položaj za kuhanje v pari.

3 Postavite posodo v pokončnem položaju na motorno enoto tako, da je pokrov obrnjen navzgor. Ročaj mora biti na desni strani in nameščen med dvema robovoma zaklepnege mesta (Sl. 16).

4 Obrnite regulator na položaj za mešanje. Pridržite ga na tem položaju, dokler ni hrana ustrezno zmešana (Sl. 17).

Aparata ne uporabljajte za mešanje neprekinjeno dlje kot 30 sekund. Če po 30 sekundah mešanja še niste končali, izklopite aparat in znova nadaljujte čez nekaj sekund. Če aparat postane vroč, pred nadaljevanjem počakajte nekaj minut, da se ohladi.

Opomba: Če se sestavine primejo na notranjo stran posode, izklopite aparat in jih odstranite z lopatico ali dodajte nekaj tekočine.

Opomba: Pred serviranjem preverite, ali ima premešana otroška hrana ustrezno gostoto (brez grudic).

Opomba: Če je hrana še vedno pregosta, dodajte nekaj tekočine (npr. vode), da postane mehka in tekoča.

5 Ko ste končali mešanje, preprosto spustite regulator (Sl. 18).

► Regulator se samodejno vrne na položaj za izklop.

6 Zmešano hrano odstranite iz posode. Če je treba, uporabite priloženo lopatico.

Poskrbite, da je otroška hrana dovolj ohlajena za dojenčka.

7 Izklopite aparat iz električnega omrežja.

8 V normalnih pogojih je zbiralnik za vodo po kuhanju v pari prazen. Vendar pa v nekaterih primerih (kot so nabiranje vodnega kamna v zbiralniku za vodo, prekinitvev kuhanja v pari ali nedovoljena uporaba) v zbiralniku lahko ostane nekaj vode. V tem primeru zbiralnik za vodo po uporabi povsem izpraznite, da preprečite razvoj bakterij. Navodila za odstranitev vodnega kamna iz zbiralnika za vodo si oglejte v poglavju "Čiščenje in vzdrževanje".

Mešanje brez kuhanja v pari

Aparat je namenjen za:

- pasiranje sestavin za otroško hrano, ki so kuhane ali kuhane v pari
- mešanje tekočin in sadja za otroške napitke

Aparat ni namenjen sekljanju trdih sestavin, kot so ledene in sladkorne kocke.

Ko so tekočine v posodi, je ne postavljajte na v položaj za kuhanje v pari.

Opomba: Pri mešanju tekočin pazite, da posode ne napolnite prek oznako za največjo količino.

Opomba: Otroške hrane po mešanju nikoli ne kuhajte v pari.

1 Rezilno enoto namestite na nosilec rezilne enote v posodi (Sl. 5).

2 Preden trde sestavine dodate v posodo, jih narežite na majhne kose (kocke velikosti do 2–3 cm).

Namig: Ne obdelujte večjih količin trdnih sestavin naenkrat. Te sestavine raje obdelujte v manjših količinah.

3 Sestavine dajte v posodo. (Sl. 6)

Opomba: Ne prekoračite najvišjega roba zelene rezilne enote.

4 Ventil namestite v pokrov (Sl. 7).

Opomba: Prepričajte se, da je ventil pravilno pritrjen.

5 V pokrov posode vstavite cedilo ("klik") (Sl. 8).

6 Pokrov namestite na posodo in obrnite v desno, da ga pritrdite. Majhne izbokline na pokrovu se morajo prilegati v utore na posodi. Poskrbite, da je velika izboklina pokrova nameščena točno nad ročajem posode. (Sl. 9)

7 Postavite posodo v pokončnem položaju na motorno enoto tako, da je pokrov obrnjen navzgor. Ročaj mora biti na desni strani in nameščen med dvema robovoma zaklepnega mesta (Sl. 16).

8 Obrnite regulator na položaj za mešanje. Regulator držite v tem položaju tako dolgo, kolikor je potrebno, vendar ne dlje kot 30 sekund (Sl. 17).

Opomba: Če se sestavine primejo na steno posode, izklopite aparat in jih odstranite z lopatico ali dodajte nekaj tekočine. Ne presežite oznake za največjo količino na posodi.

Opomba: Pred serviranjem preverite, ali ima premešana otroška hrana ustrezno gostoto (brez grudic).

Opomba: Če je otroška hrana še vedno preveč trdna, dodajte nekaj tekočine (npr. vode), da postane mehka in tekoča. Ne presežite oznake za največjo količino na posodi.

Opomba: Otroške hrane po mešanju nikoli ne kuhajte v pari.

Aparata ne uporabljajte za mešanje neprekinjeno dlje kot 30 sekund. Če po 30 sekundah mešanja še niste končali, izklopite aparat in znova nadaljujte čez nekaj sekund. Če motorna enota postane vroča, pred nadaljevanjem počakajte nekaj minut, da se ohladi.

9 Ko ste končali mešanje, preprosto spustite regulator. (Sl. 18)

Regulator se samodejno vrne na položaj za izklop.

10 Zmešano hrano odstranite iz posode. Če je treba, uporabite priloženo lopatico.

Poskrbite, da je otroška hrana dovolj ohlajena za dojenčka.

11 Izklopite aparat iz električnega omrežja.

Sestavine in čas kuhanja v pari		
Vrsta hrane	Sestavina	Približen čas kuhanja v pari*
Sadje	Jabolko	5 min
	Pomaranče	10 min
	Breskev	10 min
	Hruška	5 min
	Ananas	15 minut
	Sliva	10 min
Zelenjava	Špargelj	10 min
	Brstični ohrovt	20 min
	Korenje	15 minut
	Cvetača	15 minut
	Zelena	15 minut
	Bučka	15 minut
	Janež	15 minut
	Stročji fižol	20 min
	Por	15 minut
	Čebula	15 minut
	Grah	20 min
	Paprika	15 minut
	Krompir	20 min
	Buča	15 minut
	Špinača	15 minut
	Švedska repa	15 minut
Sladki krompir	15 minut	
Paradižnik	15 minut	
Meso	Piščančje meso, govedina, jagnjetina, svinjina itd.	20 min
Ribe	Losos, morski list, polenovka, postrv itd.	15 minut

*Vsa hrana mora biti narezana na majhne kocke velikosti do 2–3 cm.

Opomba: Na merilni posodici so prikazani mililitri in ustrezen čas kuhanja v pari v minutah (50 ml = 5 minut, 100 ml = 10 minut, 150 ml = 15 minut, 200 ml = 20 minut).

Čiščenje in vzdrževanje

Po vsaki uporabi aparat očistite.

Motorne enote ne potaplajte v vodo.

V aparatu ne uporabljajte belila ali kemičnih sterilizacijskih raztopin/tablet.

Aparata ne čistite s čistilnimi gobicami, jedkimi čistili ali agresivnimi tekočinami, kot so bencin, aceton ali alkohol.

- 1** Izklopite aparat iz omrežne vtičnice in odstranite posodo z motorne enote (Sl. 19).
- 2** Pokrov odstranite s posode in obrnite navzdol (Sl. 20).
- 3** S pokrova odstranite cedilo in ventil. (Sl. 21)
- 4** Ventil očistite v vroči vodi z nekaj tekočega čistila in sperite pod tekočo vodo.
- 5** Rezilno enoto odstranite s posode (Sl. 22).
- 6** Rezilno enoto temeljito očistite pod tekočo vodo takoj po uporabi. Sperite tudi notranjo stran cevi rezilne enote (Sl. 23).

Pri rokovanju z rezilno enoto bodite zelo previdni. Rezilni robovi so zelo ostrí.

Opomba: Če želite rezilno enoto temeljiteje očistiti, jo lahko po čiščenju pod tekočo vodo pomijete tudi v pomivalnem stroju.

- 7** Druge dele, ki so prišli v stik s hrano, takoj po uporabi očistite v vroči vodi, ki ste ji dodali nekaj tekočega čistila.

Opomba: Vse dele razen motorne enote lahko pomivate v pomivalnem stroju.

- 8** Če je treba, očistite motorno enoto z vlažno krpo.
- 9** Preverite, ali so v zbiralnik za vodo prišli delci hrane. To storite tako, da pogledate v odprtino za polnjenje in preverite, ali so v zbiralniku delci hrane, ali tako, da preverite, ali je voda nenavadne barve oziroma ali zbiralnik za vodo oddaja neprijeten vonj ali vonj po zažganem. V tem primeru očistite zbiralnik za vodo (oglejte si razdelek "Čiščenje zbiralnika za vodo" v tem poglavju).
- 10** Pokrov odprtine za polnjenje pustite odprt, da preprečite razvoj bakterij.

Odstranjevanje vodnega kamna iz zbiralnika za vodo

Če v zbiralnik za vodo pridejo delci hrane, se lahko med naslednjim kuhanjem v pari primejo na grelni element v zbiralniku za vodo. Teh delcev ne morete odstraniti s spiranjem zbiralnika za vodo. Za 100-odstotno učinkovito delovanje aparata morate enkrat mesečno odstraniti vodni kamen. Če želite zmanjšati nabiranje vodnega kamna, uporabljajte v aparatu prekuhano ali filtrirano vodo. Da odstranite delce hrane v zbiralniku za vodo in vodni kamen iz aparata, upoštevajte spodnja navodila za odstranjevanje vodnega kamna.

- 1** Aparat mora biti izklopljen.
 - 2** Dolijte 50 ml belega kisa (8-odstotna očetna kislina) v 150 ml vode.
- Opomba: Uporabite lahko tudi sredstva za odstranjevanje vodnega kamna s citronsko kislino. Ne uporabljajte drugih vrst sredstva za odstranjevanje vodnega kamna.*
- 3** Zbiralnik za vodo napolnite z raztopino kisa (ali citronske kisline) in vode.
 - 4** Zaprite pokrov odprtine za polnjenje.

112 SLOVENŠČINA

- 5 Prazno posodo (brez hrane) z nameščeno rezilno enoto in pokrovom namestite na motorno enoto v položaj za kuhanje v pari (pokrov mora biti obrnjen navzdol).
- 6 Regulator obrnite na položaj za kuhanje v pari.
 - ▶ Indikator za izpust pare zasveti oranžno, kar pomeni, da se hrana v aparatu kuha v pari.
- 7 Aparat po 5–6 minutah kuhanja v pari izklopite in izključite z električnega omrežja.
- 8 Uporabljeno raztopino belega kisa (8-odstotna očetna kislina) in vode izlijte iz zbiralnika za vodo (Sl. 24).
- 9 Zbiralnik za vodo in posodo temeljito večkrat sperite s svežo vodo.
- 10 V zbiralnik nalijte 200 ml vode in počakajte, da aparat izvede cikel kuhanja v pari (20 minut) s prazno posodo, preden aparat znova uporabite s hrano.
- 11 Pokrov odprtine za polnjenje pustite odprt, da preprečite razvoj bakterij.

Recikliranje

- Ta simbol pomeni, da izdelka ne smete odlagati skupaj z običajnimi gospodinjskimi odpadki (2012/19/EU) (Sl. 25).
- Upoštevajte državne predpise za ločeno zbiranje električnih in elektronskih izdelkov. S pravilnim odlaganjem pripomorete k preprečevanju negativnih vplivov na okolje in zdravje ljudi.

Shranjevanje

- 1 Preden aparat shranite, izpraznite zbiralnik za vodo (Sl. 24).
- 2 Preden aparat pospravite, poskrbite, da so vsi deli očiščeni in suhi (oglejte si poglavje "Čiščenje in vzdrževanje").
- 3 Aparat shranite z rezilno enoto v posodi, da preprečite poškodbe.
- 4 Pokrova ne namestite na posodo in pokrov odprtine za polnjenje pustite odprt, da preprečite razvoj bakterij.

Garancija in podpora

Če potrebujete informacije ali podporo, obiščite www.philips.com/support ali preberite ločeni mednarodni garancijski list.

Tehnične specifikacije

- Napetost/moč: oglejte si tipsko ploščico na spodnji strani aparata.
- Največja zmogljivost zbiralnika za vodo: 200 ml.
- Največja zmogljivost posode, tekočine: 450 ml.
- Zaščita: temperaturno krmiljen grelni sistem in varnostna ključavnica.

Odpravljanje težav

To poglavje vsebuje povzetek najpogostejših težav, ki se lahko pojavijo pri uporabi aparata. Če težav s temi nasveti ne morete odpraviti, na strani www.philips.com/support poiščite seznam pogostih vprašanj ali se obrnite na center za pomoč uporabnikom v vaši državi.

Težava	Možni vzrok	Rešitev
Aparat ne deluje.	Aparat je opremljen z varnostno ključavnico. Če deli niso pravilno nameščeni na motorno enoto, aparat ne deluje.	Pravilno namestite vse dele. Oglejte si poglavje "Uporaba aparata".
Indikator za izpust pare ne zasveti.	Aparat ni priključen na električno omrežje. Posoda ni pravilno nameščena na motorno enoto.	Vtič vključite v stensko vtičnico. Posodo pravilno namestite na motorno enoto.
	Z novim postopkom kuhanja v pari želite začeti takoj po tem, ko se je zaključil prejšnji.	Izklopite aparat in počakajte nekaj minut, da se ohladi, preden začnete z novim postopkom kuhanja v pari.
Sestavine niso popolnoma segrete.	Kosi v posodi so preveliki, v posodi je preveč hrane ali pa hrane niste dovolj dolgo kuhali v pari.	Hrano narežite na manjše kose (2–3 cm), zmanjšajte količino hrane v posodi ali izberite daljši čas kuhanja v pari (največ 20 minut). Oglejte si knjižico z recepti in/ali preglednico v poglavju "Sestavine in čas kuhanja v pari" in se prepričajte, da ste izbrali pravi čas kuhanja v pari za sestavine, ki jih želite skuhati v pari, ali recept, ki ga želite pripraviti.
Aparat ne omogoča kuhanja v pari.	V aparat niste nalili vode. Posode na motorno enoto niste namestili v pravi položaj.	Izklopite aparat in vanj nalijte ustrezno količino vode. Posodo na aparat postavite v pravi položaj (oglejte si razdelek "Kuhanje v pari" v poglavju "Uporaba aparata").
Kuhanje v pari traja predolgo ali pa funkcija za kuhanje v pari sploh ne deluje.	V zbiralniku za vodo je preveč vodnega kamna.	Odstranite vodni kamen iz zbiralnika za vodo. Oglejte si poglavje "Čiščenje in vzdrževanje", razdelek "Odstranjevanje vodnega kamna".
Iz odprtine za polnjenje uhaja para.	Pokrov odprtine za polnjenje ni pravilno zaprt. Izhod za paro na motorni enoti je zamašen s hrano ali vodnim kamnom.	Pravilno zaprite pokrov odprtine za polnjenje ("klik"). Izhod za paro očistite s koničastim predmetom in pazite, da ne poškodujete tesnila, v prihodnje pa upoštevajte navodila za odstranjevanje vodnega kamna. Oglejte si poglavje "Čiščenje in vzdrževanje", razdelek "Odstranjevanje vodnega kamna".

Težava	Možni vzrok	Rešitev
	Odprtina za paro na pokrovu je zamašena.	Odstranite ventil in pravilno očistite odprtino za paro v pokrovu.
Ko je kuhanje v pari končano, indikator za izpust pare ponovno zasveti. Aparat čez nekaj časa ponovno zabrenči.	Posodo ste na podstavku pomotoma pustili dlje kot 10 minut, aparata pa niste izklopili.	10 minut po končanem kuhanju v pari izklopite aparat, nato pa hrano zmešajte ali odstranite iz posode.
Rezilna enota motorne enote je blokirana.	V posodi je preveč hrane.	Aparat izklopite in obdelujte manjšo količino. Posode ne napolnite prek najvišjega roba zelene rezilne enote.
Motorna enota pri prvih nekaj uporabah oddaja neprijeten vonj.	To je običajno.	Če aparat po nekajkratni uporabi še vedno oddaja neprijeten vonj, preverite, ali sta količina in čas obdelave ustrezna. Oglejte si poglavje "Sestavine in čas kuhanja v pari".
Aparat po nekajkratni uporabi še vedno oddaja neprijeten vonj.	V posodo ste dali preveč hrane ali pa je mešanje predolgo trajalo.	Obdelujte manjše količine in ne pustite, da aparat meša hrano dlje kot 30 sekund naenkrat.
Aparat je zelo glasen, oddaja neprijeten vonj, je vroč na dotik, se iz njega kadi in podobno.	V posodi je preveč hrane.	Aparat izklopite in obdelujte manjše količine.
	Aparat je predolgo deloval neprekinjeno.	Ne pustite, da aparat meša hrano dlje kot 30 sekund naenkrat.
Pokrov posode pušča.	Pokrova niste pravilno namestili na posodo.	Pokrov pravilno namestite na posodo. Oglejte si poglavje "Uporaba aparata".
	V posodi je preveč hrane.	Aparat izklopite in obdelujte manjše količine.
Na odprtini za polnjenje in/ali posodi, cedilu in pokrovu so beli madeži.	Na teh delih se je nabral vodni kamen.	To je običajno. Vodni kamen redno odstranjujte. Oglejte si poglavje "Čiščenje in vzdrževanje" razdelek "Odstranjevanje vodnega kamna".
Aparat je med mešanjem zelo glasen.	V pokrovu posode ni cedila.	Poskrbite, da je v pokrovu posode nameščeno cedilo.

Težava	Možni vzrok	Rešitev
Voda v zbiralniku za vodo je nenavadne barve, ko jo izlijete iz zbiralnika za vodo ali ko med kuhanjem v pari pride v posodo oziroma voda v zbiralniku za vodo ima neprijeten vonj.	Med uporabo so v zbiralnik za vodo prišli delci hrane.	Zbiralnik za vodo očistite v skladu z navodili v poglavju "Čiščenje in vzdrževanje, razdelku "Čiščenje zbiralnika za vodo". Aparat uporabljajte izključno v skladu z navodili. Zbiralnika za vodo ne napolnite preveč z vodo (največ 200 ml), posode pa ne preveč s hrano (ne prekoračite najvišjega roba zelene rezilne enote). Istih sestavin v pari ne kuhajte dlje kot 20 minut in vode za kuhanje v pari ne dolivajte neposredno v posodo. Zagotovite tudi, da je ventil pritrjen na pokrov.
Zbiralnik za vodo oddaja vonj po pečenih ali zažgani hrani	Med uporabo so v zbiralnik za vodo prišli delci hrane in se prijeli na grelni element.	Zbiralnik za vodo očistite v skladu z navodili v poglavju "Čiščenje in vzdrževanje, razdelku "Čiščenje zbiralnika za vodo". Aparat uporabljajte izključno v skladu z navodili. Zbiralnika za vodo ne napolnite preveč z vodo (največ 200 ml), posode pa ne preveč s hrano (ne prekoračite najvišjega roba zelene rezilne enote). Istih sestavin v pari ne kuhajte dlje kot 20 minut in vode za kuhanje v pari ne dolivajte neposredno v posodo. Zagotovite tudi, da je ventil pritrjen na pokrov.
Na otroški hrani so temni madeži oziroma voda v posodi je nenavadne barve.	Med uporabo so v zbiralnik za vodo prišli delci hrane in se prijeli na grelni element. V tem primeru ostanki teh delcev hrane med kuhanjem v pari pridejo v posodo.	Zbiralnik za vodo očistite v skladu z navodili v poglavju "Čiščenje in vzdrževanje, razdelku "Čiščenje zbiralnika za vodo". Aparat uporabljajte izključno v skladu z navodili. Zbiralnika za vodo ne napolnite preveč z vodo (največ 200 ml), posode pa ne preveč s hrano (ne prekoračite najvišjega roba zelene rezilne enote). Istih sestavin v pari ne kuhajte dlje kot 20 minut in vode za kuhanje v pari ne dolivajte neposredno v posodo. Zagotovite tudi, da je ventil pritrjen na pokrov.

Пароварка-блендер для приготовления детского питания
 Изготовитель: "Филипс Консьюмер Лайфстайл Б.В.", Туссендиепен 4, 9206 АД,
 Драхтен, Нидерланды
 Импортер на территорию России и Таможенного Союза: ООО «ФИЛИПС»,
 Российская Федерация, 123022 г. Москва, ул. Сергея Макеева, д.13, тел. +7 495 961-1111
 SCF870: 220-240 В; 50/60 Гц; 400 Вт

Для бытовых нужд

Giriş

Ürünümüzü satın aldığınız için teşekkür ederiz; Philips Avent'e hoş geldiniz! Philips Avent tarafından sunulan destekten tam faydalanabilmek için ürününüzü kaydettirin: www.philips.com/welcome. Buharlı pişirici ve blenderden oluşan bu birleşik ünite, özellikle az miktarda bebek maması hazırlamak için uygundur. Bu ünite, pişirme ve karıştırma fonksiyonlarını tek bir cihazda bir arada sunarak tüm ebeveynlere bebeklerine taze mama hazırlamada yardımcı olmaktadır.

Genel açıklamalar (Şek. 1)

- 1 Buhar delikli kapak
- 2 Süzgeç
- 3 Bıçak ünitesi
- 4 Bıçak ünitesi yuvalı hazne
- 5 Su haznesi doldurma deliği
- 6 Motor ünitesi üzerindeki buhar çıkışı
- 7 Kol için kilitleme bölümü
- 8 Motor ünitesi
- 9 Buharla pişirme ışığı
- 10 Kontrol düğmesi
- 11 Valf
- 12 Spatula
- 13 Ölçme kabı
- 14 Elektrik kablosunun bulunduğu cihazın alt kısmı

Önemli

Cihazı kullanmadan önce bu kullanım kılavuzunu okuyun ve gelecekte de başvurmak üzere saklayın.

Tehlike

- Motor ünitesini kesinlikle suya veya başka bir sıvıya batırmayın veya muslukta durulamayın.

Uyarı

- Cihazı prize takmadan önce, üstünde yazılı olan gerilimin, evinizdeki şebeke gerilimiyle aynı olup olmadığını kontrol edin.
- Cihazın fişi, kordonu veya kendisi hasarlıysa kesinlikle kullanmayın.
- Cihazın elektrik kablosu hasarlıysa, bir tehlike oluşturmasını önlemek için mutlaka Philips'in yetki verdiği bir servis merkezi veya benzer şekilde yetkilendirilmiş kişiler tarafından değiştirilmesini sağlayın.
- Bu cihazın fiziksel, motor ya da zihinsel becerileri gelişmemiş veya bilgi ve tecrübe açısından eksik kişiler tarafından kullanımı sadece bu kişilerin nezaretinden sorumlu kişilerin bulunması veya bu kişilere güvenli kullanım talimatlarının sağlanması ve olası tehlikelerin anlatılması durumunda mümkündür.
- Bu cihaz, çocuklar tarafından kullanılmamalıdır. Cihazı ve kablosunu çocukların ulaşabilecekleri yerlerden uzak tutun.
- Çocuklar cihazla oynamamalıdır.

- Cihazın fişi prize takılıyken ve temizleme sırasında bıçak ünitesinin kesici kenarlarına dokunmayın. Kesici kenarlar son derece keskindir.
- Eğer bıçak ünitesi sıkışır, bıçak ünitesini engelleyen malzemeleri çıkarmadan önce cihazın fişini çekin.
- Cihaz, buharla pişirme sırasında çok ısınır ve dokunduğunuzda yanıklara neden olabilir. Hazneyi sadece kulpundan tutarak kaldırın.
- Buharla pişirme sırasında kapak çıkarıldığında hazneden çıkan sıcak buhara karşı dikkatli olun.
- Kapak çıkarıldığında su haznesi doldurma ağzından çıkan sıcak buhara karşı dikkatli olun.
- Buharla pişirme işlemi sona erdiğinde motor ünitesi buhar çıkışından ve kapaktaki buhar deliğinden bir süre daha buhar gelmeye devam eder.
- Cihaz uygun şekilde kullanılmazsa doldurma deliğinden sıcak buhar çıkabilir. Bu sorundan kaçınmak veya sorunu çözmek için bkz. 'Sorun giderme' bölümü.
- Cihazı kendi halinde çalışır durumdayken bırakmayın.
- Bakım veya temizlik amacıyla motor ünitesini parçalarına ayırmayın. Onarım için yetkili bir Philips servis merkezine götürün.

Dikkat

- Başka firmalarca üretilmiş olan veya Philips'in özellikle önermediği aksesuar ve parçaları kesinlikle kullanmayın. Bu gibi parçaları kullandığınız takdirde garantiniz geçersiz sayılacaktır.
- Cihazı çalışan veya soğumamış olan ocak veya fırının üzerine veya yakınına koymayın.
- Cihazı temizlemeden önce, her zaman fişini prizden çekin ve soğumaya bırakın.
- Hazne veya cihazın başka bir parçasını mikrodalgada kullanmayın, haznenin sapının ve bıçak ünitesinin metal parçaları bu tür kullanım için uygun değildir.
- Hazne veya cihazın başka bir parçasını sterilizasyon cihazında veya mikrodalgada sterilize etmeyin, haznenin sapının ve bıçak ünitesinin metal parçaları bu tür kullanım için uygun değildir.
- Bu cihaz yalnızca evde kullanıma yöneliktir. Cihazın uygun olmayan şekillerde, profesyonel ya da yarı profesyonel amaçlarla veya kullanım talimatlarına uygun olmayan şekillerde kullanılması durumunda, garanti geçerliliğini yitirecek ve Philips söz konusu zararlarla ilgili olarak her türlü sorumluluğu reddedecektir.
- Ölçeğe sıcak bir sıvı dökerken dikkatli olun; sıcak sıvı ve buhar dışarı taşıp yanmaya neden olabilir.

- Başka malzemeleri buharda pişirmeden önce cihazı 10 dakika boyunca soğumaya bırakın.
- Bu cihaz, buz küpleri ve şeker küpleri gibi sert malzemeleri parçalamak için kullanılmaz.
- Blenderi bir seferde 30 saniyeden fazla kullanmayın. Karıştırma işlemi 30 saniye içinde bitmezse, cihazı kapatın ve devam etmeden önce birkaç saniye bekleyin. Cihaz ısınırsa, devam etmeden önce birkaç dakika soğumaya bırakın.
- Cihazı sabit, yatay ve düz bir yüzeye yerleştirin. Cihaz kullanılırken sıcak buhar yaydığından, zarar görmemeleri için dolaplar ve diğer nesnelere arada yeterli boş alan bulunduğundan emin olun.
- Cihaz düşmüş veya herhangi bir şekilde zarar görmüşse kullanmayın. Onarım için yetkili Philips servisine götürün.
- Cihazın hasar görmemesi için buhar haznesine asla su, herhangi başka bir sıvı veya öğütülmüş yiyecek koymayın.
- Buharla pişirme fonksiyonunu kesinlikle susuz kullanmayın.
- Su haznesini aşırı doldurmayın (maks. 200 ml). Ölçme kabında gösterilen maksimum seviyeyi aşmayın.
- Malzemeleri buharla pişirirken, hazneyi aşırı doldurmadığınızdan emin olun. Yeşil bıçak ünitesinin üst kenarının yiyeceklerle kaplı olmadığından emin olun (Şek. 2).
- Sıvıları karıştırırken, haznede belirtilen maksimum seviyeyi aşmayın (450 ml).
- Doldurma deliğine veya buhar valfine herhangi bir nesne sokmayın.
- Buharla pişirme sırasında hazneye kesinlikle su doldurmayın, cihazdan sıcak su veya buhar gelebilir.
- Buharla pişirmeden sonra gerekirse, malzemeleri karıştırmak için cihazı açmadan önce kapağın soğuduğundan emin olun.
- Cihazı, zamanlayıcı gibi bir harici kapatma cihazına ve şebeke tarafından düzenli olarak açılıp kapanan bir devreye bağlamayın. Bu, termal kapanma özelliğinin yanlışlıkla sıfırlanması sonucu ortaya çıkacak tehlikeli durumu önler.
- Bebeğinizi beslemeden önce mamanın sıcaklığını mutlaka elinizin üstüyle kontrol edin.
- Mamanın kıvamını mutlaka kontrol edin. Mamada topaklanma olmadığından emin olun.
- Buharla pişirme işlemi (maksimum 20 dakika) tamamlandıktan sonra bebek mamasını tekrar buharla pişirmeyin ve ısıtmayın.
- Mamayı haznedenden almak için sadece birlikte verilen spatulayı kullanın.
- Düzenli olarak kireç çözme uygulanması cihazın bozulmasını önler.

- Cihazı kapatın ve aksesuarları değiştirmeden ya da kullanım sırasında hareket eden parçalara yaklaşımadan önce güç kaynağı bağlantısını kesin.
- Hazneyi boşaltırken ve temizleme işlemi sırasında keskin bıçaklara dikkat edin.
- Cihazı gözetimsiz bırakmanız durumunda her zaman cihazın güç kaynağı bağlantısını kesin.
- Temizleme işlemi ve kullanıcı bakımı çocuklar tarafından gerçekleştirilmemelidir.
- Gürültü seviyesi: $L_c = 89 \text{ dB(A)}$.

Güvenlik sistemi

Cihazda dahili güvenlik sistemi bulunmaktadır. Cihaz yalnızca motor ünitesinin tüm parçaları düzgün olarak takıldığında çalışır. Tüm parçalar düzgün takılmışsa, dahili kilit devre dışı kalacaktır. Cihazda aşırı ısınma koruması bulunmaktadır. İki buharla pişirme işlemi arasındaki sürenin çok kısa olması, buharla pişirme fonksiyonunun çok uzun süre kullanılması veya haznede çok fazla malzeme olması durumunda aşırı ısınma söz konusu olabilir. Kullanım sırasında cihazın aşırı ısınma fonksiyonu tarafından kapatılması halinde kontrol düğmesini 0 konumuna getirin ve birkaç dakika cihazın soğumasını bekleyin. Bunun ardından cihaz tekrar kullanılabilir.

Elektromanyetik alanlar (EMF)

Bu Philips cihazı, elektromanyetik alanlara maruz kalmaya ilişkin geçerli tüm standartlara ve düzenlemelere uygundur.

İlk kullanımdan önce

- 1 Tüm ambalaj malzemelerini cihazdan çıkarın.
- 2 Motor ünitesi hariç tüm parçaları temizleyin (bkz. 'Temizlik ve bakım' bölümü).

Cihazın kullanımı

Bebeğinizi beslemeden önce mamanın sıcaklığını mutlaka elinizin üstüyle kontrol edin.

Karıştırmak için daha fazla malzeme eklemek üzere kapağı çıkarmadan önce buharla pişirme işleminden sonra kapağın soğuduğundan emin olun. Hazne üzerinde gösterilen maksimum seviyeyi aşmayın.

Yeni bir buharla pişirme işlemi başlatmak üzere doldurmadan önce su haznesini boşaltın.

Buharla pişirme işlemi başlatırken yeşil bıçak ünitesinin üst kenarının yiyeceklerle kaplı olmadığından emin olun.

Sıvıları karıştırırken, haznede belirtilen maksimum seviyeyi aşmayın (450 ml).

Bu cihaz, bebek maması hazırlamak amacıyla taze katı malzemelerin buharla pişirilmesi ve karıştırılması için tasarlanmıştır. Tarif kitapçığında bazı örnekler bulabilirsiniz. Normal koşullarda malzemeler önce buharla pişirilecek, ardından karıştırılacaktır. Ancak, cihazı yalnızca buharla pişirme veya yalnızca karıştırma için de kullanabilirsiniz. Cihaz yalnızca karıştırma için kullanılacaksa 'Su haznesinin doldurulması' ve 'Buharla pişirme' bölümlerini atlayın ve yalnızca 'Karıştırma' bölümündeki talimatları uygulayın. Karıştırma işleminden sonra, karıştırılmış yiyecekleri kesinlikle buharla pişirmeyin. Aynı malzemeleri kesinlikle 20 dakikadan veya bir kereden fazla buharla pişirmeyin. Bu cihaz aşağıdaki işlemlere uygun değildir:

120 TÜRKÇE

- Yiyeceklerin buzunu çözme
- Donmuş gıdaları buharla pişirme
- Karıştırılmış yiyecekleri buharla pişirme
- Aynı malzemeleri 20 dakikadan daha uzun süre buharla pişirme
- Pirinç ve makarna pişirme
- Malzemeleri önce karıştırıp sonra buharla pişirme
- Çorba ve su gibi sıvıları ısıtma
- Yiyecekleri birkaç saat sıcak tutma
- Yiyecekleri tekrar ısıtma

Su haznesinin doldurulması

1 Ölçme kabını gerekli seviyeye kadar suyla doldurun (Şek. 3).

Ölçme kabında ölçüler mililitre olarak ve karşılık gelen buharla pişirme süreleri dakika olarak gösterilir. Önerilen miktarlar için ayrıca cihazla birlikte verilen tarif kitapçığına başvurun.

Dikkat: Su haznesini aşırı doldurmamak için ölçme kabında gösterilen maksimum seviyeyi (200 ml) kesinlikle aşmayın.

Dikkat: İçindeki mineraller su haznesinde kireç birikimine neden olabileceğinden mineralli su kullanmamanızı tavsiye ederiz.

2 Suyu doldurma deliğinden dökün ve kapağı kapatın (Şek. 4).

Dikkat: Su haznesine kesinlikle sudan başka şey koymayın.

Buharlı Pişirme

Bazı sebze ve meyveleri hafifçe buharda pişirerek, katı mama almaya yeni başlamış bebeğinize yedirebilirsiniz. Vitaminler ve diğer besinler korunduğundan, buharla pişirme yemek hazırlamanın en sağlıklı yoludur.

Dikkat: Pişirme sürelerini ayrıca verilen tarif kitapçığında bulabilirsiniz. Tariflerin çocuğunuzun yaşına uygun olup olmadığına dikkat edin.

Dikkat: Cihaz donmuş gıdaları buharla pişirme için gereken sıcaklığa kadar ısıtamayacağından donmuş malzemeleri buharla pişirmeyin. Bu cihazda buharla pişirmeden önce donmuş katı malzemelerin buzunu mutlaka çözün. Hazneye koymadan önce sallayarak buzlu çözülmüş malzemelerdeki fazla suyu alın.

1 Bıçak ünitesini, haznedeki bıçak ünitesi yuvasına yerleştirin (Şek. 5).

2 Katı gıdaları hazneye koymadan önce küçük parçalar halinde (2-3 cm'den büyük olmayan küpler) kesin.

Dikkat: Tek seferde çok büyük miktarda katı malzemeyi karıştırmayın. Bu malzemeleri küçük gruplar halinde karıştırın.

3 Malzemeleri kavanoza koyun (Şek. 6).

Dikkat: Yeşil bıçak ünitesinin üst kenarını geçmeyin.

Dikkat: Cihazın zarar görmemesi için buharla pişirme için su veya başka sıvıları koymayın.

4 Valfi kapağa takın (Şek. 7).

Dikkat: Valfin düzgün takıldığından emin olun.

5 Süzgeci haznenin kapağına takın ('klik' sesi duyulur) (Şek. 8)

6 Kapağı hazneye yerleştirin ve saatin ters yönünde çevirerek sabitleyin. Kapaktaki küçük çıkıntılar haznedeki yuvalara geçmelidir. Kapaktaki büyük çıkıntının, haznenin sapına tam olarak oturduğundan emin olun (Şek. 9).

- 7** Hazneyi kapak aşığı gelecek şekilde ters çevirerek motor ünitesinin üzerine yerleştirin. Sap sağ tarafta ve yerine tam oturmuş olmalıdır (Şek. 10).

Dikkat: Hazne ve sapın doğru konumda olmaması halinde cihaz buharla pişirme işlemine başlamaz.

- 8** Kontrol düğmesini buharla pişirme konumuna getirin.
D Buharla pişirme lambası turuncu renkte yanarak cihazın buharla pişirme yaptığını gösterir (Şek. 11).

Sıcak buhar veya sıcak su parmaklarınızı yakabilir. Sıcak parçalara ve buhara dokunmayın ve çocukların dokunmasına kesinlikle izin vermeyin; haşlanmaya neden olabilir (Şek. 12).

- D** Buharla pişirme süresi, su haznesine koyduğunuz su miktarına bağlıdır. ‘Malzemeler ve buharla pişirme süreleri’ bölümündeki tabloya ve tarife kitapçığına bakın.
D Buharla pişirme işlemi tamamlandığında cihaz sesli bir uyarı verir ve buharla pişirme ışığı söner.
9 Kontrol düğmesini kapalı konumuna ayarlayın. Sıcak buhar nedeniyle haşlanmamak için buhar çıkışından buhar gelmeye kadar 2 dakika bekleyin. (Şek. 13)

Dikkat: Başka malzemeleri buharla pişirmek için, işleme tekrar başlamadan önce 10 dakika cihazın soğumasını bekleyin.

- 10** Buharla pişirilmiş yiyeceklerle devam etmek için, aşağıdaki ‘Karıştırma ve buharla pişirme’ bölümünde verilen talimatları uygulayın.

- 11** Normal koşullarda, buharla pişirme sonrasında su haznesinde su kalmaz. Ancak bazı durumlarda (örneğin su haznesinde kireç birikmesi, buharla pişirme işleminin kesintiye uğraması veya amaca uygun olmayan kullanımda) haznede bir miktar su kalabilir. Bu durumda, bakteri oluşumunu engellemek için kullanım sonrasında su haznesini tamamen boşaltın. Su haznesinde kireç çözme işlemi için bkz. ‘Temizlik ve bakım’ bölümü.

Buharla pişirme sonrasında karıştırma

- 1** Hazne kulpunu kavrayın ve hazneyi motor ünitesinden kaldırarak çıkarın. Hazneyi çevirin ve sallayın, böylece mama bıçak ünitesine dökülür (Şek. 14).

Sadece hazne kulpundan tutun. Haznenin kapağı, alt ve dış yüzeyleri sıcaktır (Şek. 15).

- 2** Gerekirse, kapağı çıkarın ve karıştırılacak diğer malzemeleri ekleyin (örn. su veya yağ).

Hazneye daha fazla eklemek veya su haznesinde kalan suyu dökmek için haznenin ve su haznesinin kapağını açmadan önce, kapakların buharla pişirme işleminden sonra soğuduğundan mutlaka emin olun.

Hazneye sıvı koyduktan sonra hazneyi, kesinlikle buharla pişirme konumuna getirmeyin.

- 3** Hazneyi, kapağı yukarıya gelecek şekilde motor ünitesine yerleştirin. Sapının sağ tarafta ve kilitleme alanının iki çıkıntısının arasında olduğundan emin olun (Şek. 16).

- 4** Kontrol düğmesini karıştırma konumuna getirin. Yiyecek uygun şekilde karıştırılana kadar düğmeyi bu konumda tutun (Şek. 17).

Blenderi bir seferde 30 saniyeden fazla kullanmayın. Karıştırma işlemi 30 saniye içinde bitmezse, cihazı kapatın ve devam etmeden önce birkaç saniye bekleyin. Cihaz ısınırsa, devam etmeden önce birkaç dakika soğumaya bırakın.

Dikkat: Malzemeler haznenin yanlarına yapıştırsa, cihazı kapatın ve malzemeleri spatulayla çıkarın veya bir miktar sıvı ekleyin.

Dikkat: Servis etmeden önce mamanın doğru kıvama sahip olduğundan (örn. topaksız) emin olun.

Dikkat: Bebek maması hala çok katıysa yumuşayana kadar sıvı (örn. su) ilave edin.

5 Karıştırılmayı bitirdiğinizde, kontrol düğmesini bırakın (Şek. 18).

► Kontrol düğmesi otomatik olarak kapalı konumuna döner.

6 Karıştırılan mamayı haznededen alın. Gerekirse birlikte verilen spatulayı kullanın.

Bebek mamasının bebeğiniz için güvenli bir sıcaklıkta olduğundan emin olun.

7 Cihazı prizden çıkartın.

8 Normal koşullarda, buharla pişirme sonrasında su haznesinde su kalmaz. Ancak bazı durumlarda (örneğin su haznesinde kireç birikmesi, buharla pişirme işleminin kesintiye uğraması veya amaca uygun olmayan kullanım durumunda) haznede bir miktar su kalabilir. Bu durumda, bakteri oluşumunu engellemek için kullanım sonrasında su haznesini tamamen boşaltın. Su haznesinde kireç çözme işlemi için bkz. 'Temizlik ve bakım' bölümü.

Buharla pişirme yapmadan karıştırma

Bu cihaz aşağıdaki işlemler için uygundur:

- bebek maması için buharla pişirilmiş malzemeleri püre haline getirme
- bebek içecekleri için sıvı ve meyve karıştırma

Bu cihaz, buz küpleri ve şeker küpleri gibi sert malzemeleri parçalamak için kullanılmaz.

Hazneye sıvı koyduktan sonra hazneyi, kesinlikle buharla pişirme konumuna getirmeyin.

Dikkat: Sıvıları karıştırırken, hazneyi üzerindeki maksimum seviye göstergesinden daha fazla doldurmadığınızdan emin olun.

Dikkat: Bebek mamasını karıştırdıktan sonra kesinlikle buharla pişirmeyin.

1 Bıçak ünitesini, haznedeki bıçak ünitesi yuvasına yerleştirin (Şek. 5).

2 Katı gıdaları hazneye koymadan önce küçük parçalar halinde (2-3 cm'den büyük olmayan küpler) kesin.

İpucu: Tek seferde çok büyük miktarda katı malzemeyi karıştırmayın. Bu malzemeleri küçük gruplar halinde karıştırın.

3 Malzemeleri kavanoza koyun. (Şek. 6)

Dikkat: Yeşil bıçak ünitesinin üst kenarını geçmeyin.

4 Valfi kapağa takın (Şek. 7).

Dikkat: Valfin düzgün takıldığından emin olun.

5 Süzgeci haznenin kapağına takın ('klik' sesi duyulur) (Şek. 8)

6 Kapağı hazneye yerleştirin ve saatin ters yönünde çevirerek sabitleyin. Kapaktaki küçük çıkıntılar haznedeki yuvalara geçmelidir. Kapaktaki büyük çıkıntının, haznenin sapına tam olarak oturduğundan emin olun. (Şek. 9)

7 Hazneyi, kapağı yukarıya gelecek şekilde motor ünitesine yerleştirin. Sapının sağ tarafta ve kilitleme alanının iki çıkıntısının arasında olduğundan emin olun (Şek. 16).

8 Kontrol düğmesini karıştırma konumuna çevirin. Düğmeyi bu konumda en fazla 30 saniye tutun (Şek. 17).

Dikkat: Malzemeler haznenin kenarlarına yapıştırsa, cihazı kapatın ve yapışan malzemeyi spatula yardımıyla çıkarın veya bir miktar sıvı ekleyin. Haznedeki maksimum seviye göstergesini aşmayın.

Dikkat: Servis etmeden önce mamanın doğru kıvama sahip olduğundan (örn. topaksız) emin olun.

Dikkat: Bebek maması çok katıysa yumuşayana kadar sıvı (örn. su) ekleyin. Haznedeki maksimum seviye göstergesini aşmayın.

Dikkat: Bebek mamasını karıştırdıktan sonra kesinlikle buharla pişirmeyin.

Cihazı bir seferde 30 saniyeden fazla kullanmayın. Karıştırma işlemi 30 saniye içinde bitmezse, cihazı kapatın ve devam etmeden önce birkaç saniye bekleyin. Motor ünitesi ısınırsa, devam etmeden önce birkaç dakika soğumaya bırakın.

9 Karıştırmayı bitirdiğinizde, kontrol düğmesini bırakın. (Şek. 18)

► Kontrol düğmesi otomatik olarak kapalı konumuna döner.

10 Karıştırılan mamayı haznededen alın. Gerekirse birlikte verilen spatulayı kullanın.

Bebek mamasının bebeğiniz için güvenli bir sıcaklıkta olduğundan emin olun.

11 Cihazı prizden çıkartın.

Malzemeler ve buharla pişirme süreleri

Yemek türü	Malzeme	Yaklaşık buharla pişirme süresi*
Meyve	Elma	5 dak.
	Portakallar	10 dak.
	Şeftali	10 dak.
	Armut	5 dak.
	Ananas	15 dak.
	Erik	10 dak.
Sebzeler	Kuşkonmaz	10 dak.
	Brokoli	20 dak.
	Havuç	15 dak.
	Karnabahar	15 dak.
	Kereviz	15 dak.
	Kabak	15 dak.
	Rezene	15 dak.
	Taze fasulye	20 dak.
	Pırasa	15 dak.
	Soğan	15 dak.
	Bezelye	20 dak.
	Biber	15 dak.
	Patates	20 dak.
	Balkabağı	15 dak.
	Ispanak	15 dak.

Yemek türü	Malzeme	Yaklaşık buharla pişirme süresi*
	Şalgam	15 dak.
	Tatlı patates	15 dak.
	Domates	15 dak.
Et	Tavuk, sığır eti, kuzu eti, domuz eti vb.	20 dak.
Balık	Somon, dil balığı, morina, alabalık vb.	15 dak.

* Yiyecekler, 2-3 cm'den büyük olmayan küçük küpler halinde kesilmelidir.

Dikkat: Ölçme kabında ölçüler mililitre olarak ve buharla pişirme süresi dakika olarak gösterilir (50 ml = 5 dak, 100 ml = 10 dak, 150 ml = 15 dak, 200 ml = 20 dak).

Temizlik ve bakım

Her kullanım sonrasında cihazı mutlaka temizleyin.

Motor ünitesini kesinlikle suya sokmayın.

Cihazda kesinlikle beyazlatıcı veya kimyasal sterilizasyon solüsyonları/tabletleri kullanmayın.

Cihazı temizlemek için ovalama bezleri ya da benzin, aseton veya alkol gibi aşındırıcı temizlik ürünleri veya sıvılar kullanmayın.

- 1 Cihazı prizden çekin ve hazneyi motor ünitesinden ayırın (Şek. 19).
- 2 Kapağı hazneden çıkarın ve ters çevirin (Şek. 20).
- 3 Süzgeci ve valfi kapaktan çıkarın. (Şek. 21)
- 4 Valfi bir miktar bulaşık deterjanı ve sıcak suyla yıkayıp musluk suyunun altında durulayın.
- 5 Bıçak ünitesini hazneden çıkarın (Şek. 22).
- 6 Kullanımdan hemen sonra bıçak ünitesini musluk altında iyice temizleyin. Ayrıca, bıçak ünitesinin tüpünün iç kısmını yıkadığınızdan emin olun (Şek. 23).

Bıçak ünitesiyle çalışırken çok dikkatli olun. Kenarları son derece keskindir.

Dikkat: Bıçak ünitesini iyice temizlemek istiyorsanız, musluk suyuyla yıkadıktan sonra bulaşık makinesinde de yıkayabilirsiniz.

- 7 Yiyeceklerle temas eden diğer parçaları, kullandıktan hemen sonra bir miktar deterjan ve sıcak su ile temizleyin.

Dikkat: Motor ünitesi hariç tüm parçalar bulaşık makinesinde yıkanabilir.

- 8 Gerekirse, motor ünitesini nemli bir bezle silerek temizleyin.
- 9 Su haznesinde yiyecek parçacıkları olup olmadığını kontrol edin. Bunun için doldurma deliğinden bakabilir, suyun renginin normal olup olmadığına bakabilir veya su haznesinin kötü ya da yanık kokup kokmadığını kontrol edebilirsiniz. Eğer öyleyse, su haznesini temizleyin (bkz. 'Su haznesinin temizlenmesi').
- 10 Bakteri oluşumunu engellemek için doldurma deliğinin kapağını açık bırakın.

Su haznesindeki kirecin temizlenmesi

Su haznesine yiyecek parçacıklarının girmesi halinde bunlar; sonraki buharla pişirme işlemlerinde ısıtma elemanına yapışabilir. Bu parçacıklar yalnızca su haznesi yıkanarak çıkarılmaz. Ayrıca, %100 verimle çalışabilmesi için dört haftada bir cihazda oluşan kireç temizlenmelidir; Kireç oluşumunu azaltmak için cihazda önceden kaynatılmış veya süzölmüş su kullanılabilir. Su haznesindeki yiyecek parçacıklarını gidermek ve cihazdaki kireci temizlemek için aşağıdaki kireç çözme talimatlarını uygulayın.

- 1 Cihazın kapalı olduğundan emin olun.
 - 2 150 ml suya 50 ml beyaz sirke (%8 asetik asit) ekleyin.
- Dikkat: Sitrik asit tabanlı kireç çözücüler de kullanabilirsiniz. Diğer kireç çözücülerini kullanmayın.*
- 3 Su haznesini sirke (veya sitrik asit) ve sudan oluşan bir solüsyonla doldurun.
 - 4 Doldurma deliğinin kapağını kapatın.
 - 5 Boş hazneyi (içinde yiyecek olmadan) bıçak ünitesi ve kapak takılmış halde buharla pişirme konumuna getirin (yani kapak aşağıya bakacak şekilde).
 - 6 Kontrol düğmesini buharla pişirme konumuna getirin.
 - Buharla pişirme lambası turuncu renkte yanarak cihazın buharla pişirme yaptığını gösterir.
 - 7 5-6 dakika buharla pişirmenin ardından cihazı kapatın ve fişini çekin.
 - 8 Su deposundaki kullanılmış beyaz sirke solüsyonunu (%8 asetik asit) ve suyu boşaltın (Şek. 24).
 - 9 Su haznesini ve hazneyi su ile birkaç kez durulayın.
 - 10 Cihazı tekrar yemek pişirmek için kullanmadan önce su haznesine 200 ml su doldurun ve hazne boşken 20 dakika buharla pişirme işlemi uygulayın.
 - 11 Bakteri oluşumunu engellemek için doldurma deliğinin kapağını açık bırakın.

Geri dönüşüm

- Bu simge, ürünün normal evsel atıklarla birlikte atılmaması gerektiği anlamına gelir (2012/19/EU) (Şek. 25).
- Elektrikli ve elektronik ürünlerin ayrı olarak toplanmasına ilişkin ülkenizde geçerli olan kurallara uyun. Bu işlemin doğru şekilde yapılması çevreyi ve insan sağlığını olumsuz etkileyecek sonuçların önlenmesine yardımcı olur.

Saklama

- 1 Cihazı saklamadan önce su haznesini boşaltın (Şek. 24).
- 2 Cihaza yerleştirmeden önce tüm parçaların temiz ve kuru olduğundan emin olun (bkz. "Temizlik ve bakım" bölümü).
- 3 Zarar görmesini önlemek için cihazı bıçak ünitesi haznenin içindeyken saklayın.
- 4 Bakteri oluşumunu engellemek için kapağı hazneye yerleştirmeyin ve doldurma deliği kapağını açık bırakın.

Garanti ve destek

Bilgi veya desteğe ihtiyaç duyarsanız lütfen www.philips.com/support adresini ziyaret edin veya dünya çapında garanti kitapçığını okuyun.

Teknik spesifikasyonlar

- Gerilim/watt değeri: cihazın alt kısmındaki tip etiketine başvurun.
- Su haznesinin maksimum kapasitesi: 200 ml.
- Haznenin maksimum kapasitesi, sıvılar için: 450 ml.
- Koruma: sıcaklık kontrollü ısıtma sistemi ve güvenlik kilidi.

Sorun giderme

Bu bölüm, cihazda en sık karşılaşılabileceğiniz sorunları özetlemektedir. Sorunu aşağıdaki bilgilerle çözemiyorsanız sık sorulan sorular listesi için www.philips.com/support adresini ziyaret edin veya ülkenizdeki Müşteri Destek Merkezi ile iletişim kurun.

Sorun	Nedeni	Çözüm
Cihaz çalışmıyor	Bu cihazda emniyet kilidi bulunmaktadır. Parçaların motor ünitesine düzgün takılmaması durumunda cihaz çalışmaz.	Tüm parçaları düzgün şekilde takın. Bkz. 'Cihazın kullanımı' bölümü.
Buharla pişirme işi yanmıyor.	Cihaz prize takılı değil.	Fişi prize takın.
	Hazne, motor ünitesine tam oturmamıştır.	Hazneyi motor ünitesinin üzerine düzgün bir şekilde yerleştirin.
	Birinci buharla pişirme işlemi bittikten hemen sonra ikincisini başlatmak istiyorsunuz.	Cihazı kapatın ve ikinci buharla pişirme işlemi başlatmadan önce birkaç dakika soğumaya bırakın.
Malzemeler uygun şekilde ısıtmamıştır.	Haznedeki parçalar çok büyüktür; haznede çok fazla yiyecek vardır veya yeterince uzun süre buharla pişirilmemiştir.	Yiyecekleri küçük parçalara ayırın (2-3 cm), haznedeki yiyecek miktarını azaltın veya daha uzun bir buharla pişirme süresi seçin (maks. 20 dakika). Buharla pişirmek istediğiniz malzemeler veya hazırlamak istediğiniz tarif için doğru buharla pişirme süresini seçtiğinizden emin olmak için tarife kitapçığına ve/veya 'Malzemeler ve buharla pişirme süreleri' bölümündeki tabloya bakın.
Cihaz buharla pişirme yapmıyor.	Cihaza su koymanız gerekir.	Cihazı kapatın ve gereken miktarda su koyun.
	Hazne motor ünitesine doğru yerleştirilmemiştir.	Hazneyi cihaza doğru şekilde yerleştirin (Bkz. 'Cihazın kullanılması' bölümü 'Buharla pişirme' konusu).
Buharla pişirme işlemi çok uzun sürüyor veya buharla pişirme fonksiyonu hiç çalışmıyor.	Su haznesinde çok fazla kireç birikmiştir.	Su haznesinde kireç çözme işlemi uygulayın. Bkz. 'Temizlik ve bakım' bölümü 'Kireç çözme' konusu.
Doldurma deliğinden buhar çıkıyor.	Doldurma deliğinin kapağı doğru kapatılmamıştır.	Doldurma deliğinin kapağını uygun şekilde kapatın ('kık').

Sorun	Nedeni	Çözüm
	Motor ünitesinin buhar çıkışı yiyecek veya kireçle tıkanmıştır.	Contaya zarar vermeden sivri bir cisimle buhar çıkışını temizleyin ve daha sonra kireç çözme talimatlarını uygulayın. Bkz. 'Temizlik ve bakım' bölümü 'Kireç çözme' konusu.
	Kapağın buhar deliği tıkanmıştır.	Valfi çıkarın ve kapaktaki buhar deliğini iyice temizleyin.
Buharla pişirme işlemi tamamlandıktan sonra buharla pişirme ışığı tekrar yanıyor. Bir süre geçtikten sonra, cihaz tekrar sesli uyarı veriyor.	Cihazı kapatmadan 10 dakikadan daha fazla süreyle hazneyi tabana takılı bırakmış olabilirsiniz.	Buharla pişirme işlemi bittikten sonra 10 dakika içinde cihazı kapatın ve ardından, yiyecekleri kaşırtın veya haznedeki çıkarın.
Bıçak ünitesi veya motor ünitesi hareket etmiyor.	Haznede çok fazla yiyecek vardır.	Cihazı kapatın ve daha az miktarda malzeme işleyin. Hazneyi yeşil bıçak ünitesinin üst kenarından daha fazla doldurmayın.
İlk birkaç kullanımda motor ünitesinden kötü bir koku geliyor.	Bu durum normaldir.	Cihaz birkaç kez kullanıldıktan sonra bu kokuyu yaymaya devam etmesi halinde, koyduğunuz malzeme miktarı ve çalışma süresinin doğru olup olmadığını kontrol edin. Bkz. 'Malzemeler ve buharla pişirme süreleri'.
Cihaz birkaç kez kullandıktan sonra kökü koku yaymaya devam ediyor.	Hazneye çok fazla yiyecek koyuyorsunuz veya çok uzun süre kaşırtma uyguluyorsunuz.	Malzeme miktarını azaltın ve cihazla tek seferde 30 saniyeden uzun kaşırtma yapmayın.
Cihaz çok fazla ses yapıyor; istenmeyen kokular yayıyor; dokununca çok sıcak, duman çıkıyor; vb.	Haznede çok fazla yiyecek vardır.	Cihazı kapatın ve malzemeyi azaltın.
	Cihazın aralıksız çok uzun süre çalışmasına izin verdiniz.	Cihazla tek seferde 30 saniyeden fazla kaşırtma yapmayın.
Haznenin kapağı akırtıyor.	Kapak hazneye uygun şekilde takılmamıştır.	Kapağı hazneye uygun şekilde takın. Bkz. 'Cihazın kullanımı' bölümü.
	Haznede çok fazla yiyecek vardır.	Cihazı kapatın ve malzemeyi azaltın.
Doldurma deliğinde ve/veya haznede, süzgeçte ve kapakta beyaz noktalar bulunuyor.	Bu parçalarda kireçlenme olmuştur.	Bu durum normaldir. Düzenli olarak kireç çözme işlemi uygulayın. Bkz. 'Temizlik ve bakım' bölümü 'Kireç çözme' konusu.
Cihaz, kaşırtma işlemi sırasında çok fazla ses çıkıyor.	Süzgeç hazne kapağına takılmamıştır.	Süzgecin hazne kapağına takıldığından emin olun.

Sorun	Nedeni	Çözüm
Su haznesindeki suyun, haznedeki boşaltıldığında veya buharla pişirme sırasında hazneye girdiğinde değişik bir rengi veya hoş olmayan bir kokusu var.	Kullanım sırasında su haznesine yiyecek parçacıkları girmiştir.	Su haznesini 'Temizlik ve bakım' bölümü 'Su haznesinin temizlenmesi' başlığında verilen talimatlara göre temizleyin. Cihazı kullanırken talimatlara tam olarak uyun. Su haznesine fazla su (maks. 200 ml) ve hazneye fazla yiyecek (hazneyi yeşil bıçak ünitesinin üst kenarından daha fazla doldurmayın) koymadığınızdan emin olun. Aynı malzemeleri 20 dakikadan daha uzun süre buharla pişirmeyin ve buharla pişirme işlemi için doğrudan hazneye su koymayın. Ayrıca, valfin kapağa sabitlenmiş olduğundan emin olun.
Su haznesinden yanmış yiyecek kokusu geliyor	Kullanım sırasında su haznesine yiyecek parçacıkları girmiş ve ısıtma elemanının üzerine yapışmıştır.	Su haznesini 'Temizlik ve bakım' bölümü 'Su haznesinin temizlenmesi' başlığında verilen talimatlara göre temizleyin. Cihazı kullanırken talimatlara tam olarak uyun. Su haznesine fazla su (maks. 200 ml) ve hazneye fazla yiyecek (hazneyi yeşil bıçak ünitesinin üst kenarından daha fazla doldurmayın) koymadığınızdan emin olun. Aynı malzemeleri 20 dakikadan daha uzun süre buharla pişirmeyin ve buharla pişirme işlemi için doğrudan hazneye su koymayın. Ayrıca, valfin kapağa sabitlenmiş olduğundan emin olun.
Bebek mamasında siyah noktalar var veya haznedeki suyun rengi değişik.	Kullanım sırasında su haznesine yiyecek parçacıkları girmiş ve ısıtma elemanının üzerine yapışmıştır. Bu, yiyecek parçacıklarının kalıntılarının buharla pişirme sırasında hazneye girmesine neden olmaktadır.	Su haznesini 'Temizlik ve bakım' bölümü 'Su haznesinin temizlenmesi' başlığında verilen talimatlara göre temizleyin. Cihazı kullanırken talimatlara tam olarak uyun. Su haznesine fazla su (maks. 200 ml) ve hazneye fazla yiyecek (hazneyi yeşil bıçak ünitesinin üst kenarından daha fazla doldurmayın) koymadığınızdan emin olun. Aynı malzemeleri 20 dakikadan daha uzun süre buharla pişirmeyin ve buharla pişirme işlemi için doğrudan hazneye su koymayın. Ayrıca, valfin kapağa sabitlenmiş olduğundan emin olun.

Вступ

Вітаємо Вас із покупкою та ласкаво просимо до клубу Philips Avent! Щоб у повній мірі скористатися підтримкою, яку пропонує Philips Avent, зареєструйте свій виріб на веб-сайті www.philips.com/welcome.

Ця пароварка-блендер особливо підходить для приготування невеликих порцій їжі для малюка. Пароварка-блендер допомагає батькам готувати свіжу їжу для дітей завдяки простій функції обробки парюю і змішування в одному пристрої.

Загальний опис (Мал. 1)

- 1 Кришка з отвором для пари
- 2 Сито
- 3 Ріжучий блок
- 4 Глек із тримачем ріжучого блока
- 5 Отвір для води на резервуарі
- 6 Паровий отвір на блоці двигуна
- 7 Область фіксації для ручки
- 8 Блок двигуна
- 9 Індикатор обробки парюю
- 10 Регулятор
- 11 Клапан
- 12 Лопатка
- 13 Мірна чашка
- 14 Основа пристрою зі шнуром живлення

Важлива інформація

Перед тим як використовувати пристрій, уважно прочитайте цей посібник користувача і зберігайте його для майбутньої довідки.

Небезпечно

- Ніколи не занурюйте блок двигуна у воду чи іншу рідину та не мийте його під краном.

Попередження

- Перед тим як під'єднувати пристрій до електромережі, перевірте, чи збігається напруга, вказана на пристрої, з напругою у мережі.
- Не використовуйте пристрій, якщо штекер, шнур живлення або сам пристрій пошкоджено.
- Якщо шнур живлення пошкоджений, для уникнення небезпеки його необхідно замінити, звернувшись до компанії Philips, уповноваженого сервісного центру або фахівців із належною кваліфікацією.
- Цим пристроєм можуть користуватися особи із послабленими фізичними відчуттями або розумовими здібностями, чи без належного досвіду та знань, за умови, що користування відбувається під наглядом, їм було проведено інструктаж щодо безпечного користування пристроєм та їм було повідомлено про можливі ризики.

- Пристроєм не можна користуватися дітям. Тримайте пристрій і його шнур подалі від дітей.
- Не дозволяйте дітям бавитися пристроєм.
- Не торкайтеся ножів ріжучого блока, коли пристрій підключено до мережі та під час чищення. Леза дуже гострі.
- Якщо ріжучий блок забивається, від'єднайте пристрій від мережі та видаліть продукти, які прилипли до ріжучого блока.
- Під час обробки парюю пристрій дуже нагрівається, що може спричинити опіки. Піднімайте глек лише за ручку.
- Остерігайтесь гарячої пари, що виходить з глека під час роботи пристрою, а також коли відкриваєте кришку.
- Не забувайте також про гарячу пару, що виходить з отвору для води на резервуарі, коли відкриваєте його кришку.
- Після обробки продуктів гаряча пара ще деякий час продовжує виходити із парового отвору на блоці двигуна та отвору для пари на кришці глека. Будьте уважні, коли знімаєте глек із блока двигуна.
- Якщо пристрій використовувати неналежним чином, з отвору для води може виходити гаряча пара. Для запобігання або усунення цієї проблеми див. розділ "Усунення несправностей".
- Не залишайте пристрій працювати без нагляду.
- Не намагайтеся розібрати блок двигуна з метою обслуговування або чищення. Віднесіть його до авторизованого сервісного центру Philips для ремонту.

Увага

- Не використовуйте насадки чи деталі інших виробників, за винятком тих, які рекомендує компанія Philips. Використання таких насадок чи деталей призведе до втрати гарантії.
- Не ставте пристрій на або біля увімкненої чи ще гарячої пічки або кухонної плити.
- Перед тим, як чистити пристрій, завжди від'єднайте його від мережі і дайте охолонути.
- Ніколи не ставте глек або будь-які інші частини пристрою в мікрохвильову піч, оскільки металеві частини ручки глека і ріжучого блока не призначені для такого використання.
- Ніколи не стерилізуйте глек або будь-які інші частини пристрою в стерилізаторі чи мікрохвильовій печі, оскільки металеві частини ручки глека і ріжучого блока не призначені для такого використання.

- Цей пристрій призначений виключно для побутового використання. Якщо пристрій використовується неналежно, для (напів-)професійних чи інших цілей всупереч цій інструкції, гарантія втрачає чинність, а компанія Philips не несе відповідальності за заподіяну шкоду.
- Будьте обережні, коли наливаєте у чашу гарячу рідину, оскільки гаряча рідина і пара можуть вилитися і спричинити опіки.
- Дайте пристрою охолонути протягом 10 хвилин перед тим, як обробляти парою ще одну порцію продуктів.
- Пристрій не призначено для подрібнення твердих продуктів, наприклад, кубиків льоду чи цукру.
- Не змішуйте пристроєм довше, ніж 30 секунд. Якщо продукти недостатньо змішалися за 30 секунд, перед тим як продовжувати, вимкніть пристрій на кілька секунд. Якщо пристрій нагріється, дайте йому охолонути кілька хвилин перед тим, як продовжувати.
- Ставте пристрій на стійку горизонтальну і рівну поверхню. Перевірте, чи достатньо вільного місця навколо нього для запобігання пошкодженню майна (наприклад, шаф чи інших предметів), оскільки під час використання з пристрою виходить гаряча пара.
- Не використовуйте пошкоджений пристрій чи пристрій, який впав. З питанням ремонту зверніться до сервісного центру, уповноваженого Philips.
- Ніколи не наливайте воду, іншу рідину або подрібнену їжу у глек для обробки парою, щоб не пошкодити пристрій.
- Не використовуйте функцію обробки парою за відсутності у резервуарі води.
- Не наливайте у резервуар надто багато води (макс. 200 мл). Не наповнюйте мірну чашку вище максимальної позначки.
- Під час приготування продуктів не переповнюйте глек. Перевіряйте, чи верхні краї зеленого ріжучого блока не покриті продуктами (Мал. 2).
- Змішуючи рідини, не наповнюйте глек вище максимальної позначки (450 мл).
- Не вставляйте в отвір для води чи паровий отвір жодних предметів.
- Не доливайте нічого в резервуар для води під час обробки парою. Із пристрою може вийти гаряча пара або вода.

- Після обробки парою кришка має охолонути, після чого її можна відкривати і за необхідності додавати продукти для змішування.
- Не під'єднуйте пристрій до зовнішнього перемикача, наприклад, таймера, чи до мережі, яка часто вимикається комунальними службами. Це запобігає виникненню небезпечної ситуації, що може бути спричинена випадковою зміною налаштувань теплового перемикача.
- Перед тим як годувати дитину, перевіряйте температуру їжі, приклавши її до зовнішньої сторони долоні.
- Завжди перевіряйте консистенцію дитячої їжі. Слідкуйте, щоб у їжі не було грудочок.
- Коли процес обробки парою (макс. 20 хв.) завершиться, не розігрівайте дитячу їжу повторно.
- Виймайте продукти з глека лише за допомогою лопатки з комплекту.
- Регулярне видалення накипу запобігає пошкодженню пристрою.
- Перед тим як замінити приладдя або торкатися частин, які рухаються під час використання, вимкніть пристрій та від'єднайте його від мережі.
- Будьте обережні під час роботи з гострими ножами, спорожнюючи чашу і виконуючи чищення.
- Завжди від'єднайте пристрій від мережі, якщо залишаєте його без нагляду.
- Не дозволяйте дітям виконувати чищення та обслуговування.
- Рівень шуму: $L_s = 89$ дБ (А).

Система безпеки

Цей пристрій обладнано вбудованою системою безпеки. Пристрій працюватиме лише тоді, якщо всі частини встановлено на блок двигуна належним чином. Якщо всі частини встановлено правильно, вбудовану систему запобіжного блокування буде вимкнено.

Пристрій також обладнано вбудованою системою захисту від перегрівання. Перегрівання може статися, якщо час між двома процесами обробки занадто короткий, якщо довго використовується функція змішування або якщо забагато продуктів у глеку. Якщо система захисту від перегрівання вимкне пристрій під час обробки, встановіть регулятор у положення "0" і дайте пристрою охолонути кілька хвилин. Після цього, пристрій можна використовувати знову.

Електромагнітні поля (ЕМП)

Цей пристрій Philips відповідає усім чинним стандартам та правовим нормам, що стосуються впливу електромагнітних полів.

Перед першим використанням

- 1** Зніміть із пристрою весь пакувальний матеріал.
- 2** Помийте усі частини, крім блока двигуна (див. розділ “Чищення та догляд”).

Застосування пристрою

Перед тим як годувати дитину, перевіряйте температуру їжі, приклавши її до зовнішньої сторони долоні.

Після обробки парою кришка має охолонути, після чого її можна знімати і, за необхідності, додавати продукти для змішування. Не наповнюйте глек вище максимальної позначки.

Перш ніж розпочинати новий процес обробки, спорожніть резервуар для води.

Перед обробкою парою перевірте, чи на верхніх краях зеленого ріжучого блока немає продуктів.

Змішуючи рідини, не наповнюйте глек вище максимальної позначки (450 мл).

Цей пристрій призначено для обробки парою неподрібнених свіжих продуктів із подальшим подрібненням їх для приготування дитячої їжі. У буклеті подано кілька рецептів. Зазвичай їжу слід спершу обробити парою, а потім подрібнити. Проте, пристрій можна також використовувати лише для обробки парою або лише для подрібнення. Коли Ви використовуєте пристрій лише для подрібнення, пропустіть розділи “Наповнення резервуара для води” та “Обробка парою” і виконайте лише вказівки розділу “Подрібнення”. Після подрібнення ніколи не обробляйте їжу парою. Ніколи не обробляйте парою одну і ту саму порцію продуктів понад 20 хвилин або більше одного разу.

Пристрій НЕ призначений для викладених нижче дій:

- Розморожування їжі
- Обробка замороженої їжі
- Обробка подрібненої їжі
- Обробка одних і тих самих інгредієнтів довше, ніж 20 хвилин
- Приготування рису і макаронних виробів
- Спершу подрібнення інгредієнтів, тоді їх обробка
- Розігрівання рідин, наприклад супу чи води
- Підтримання їжі теплою протягом кількох годин
- Розігрівання їжі

Наповнення резервуара для води

- 1** Наповніть мірну чашку до потрібного рівня (Мал. 3).

На мірній чашці позначено мілілітри і відповідний час обробки парою у хвилинах. Для визначення рекомендованої кількості продуктів для рецептів див. окрему брошуру з рецептами.

Примітка: Не наповнюйте мірну чашку вище максимальної позначки (200 мл), щоб не переповнити резервуар для води.

Примітка: Радимо не використовувати мінеральну воду, оскільки мінерали, що містяться в такій воді, можуть утворювати накип всередині резервуара для води.

- 2** Налийте воду в отвір для води і накрийте кришкою (Мал. 4).

Примітка: Ніколи не заповнюйте резервуар для води нічим іншим, окрім води.

Обробка парою

Трохи оброблені парою деякі овочі і фрукти ідеально підходять для дітей, які починають їсти тверду їжу. Обробка парою - це найздоровіший спосіб приготування їжі, який дозволяє зберегти багато вітамінів та важливих поживних речовин.

Примітка: Рецепти та час приготування страв за цими рецептами можна знайти в окремій брошурі з рецептами. Пам'ятайте, що рецепти подаються з урахуванням віку дитини.

Примітка: Не обробляйте заморожені продукти, оскільки пристрій не може нагріти заморожені продукти до температури, потрібної для приготування. Завжди розморожуйте заморожені тверді продукти, перш ніж обробляти їх у цьому пристрої. Перш ніж класти розморожені продукти в глек, злийте з них воду.

1 Встановіть ріжучий блок на тримач ріжучого блока на глеку (Мал. 5).

2 Перед тим як покласти у глек тверді продукти, поріжте їх на дрібні шматки (кубики, розміром до 2-3 см).

Примітка: Не обробляйте одночасно велику кількість твердих продуктів. Кладіть їх у блендер невеликими порціями.

3 Покладіть продукти у глек (Мал. 6).

Примітка: Не наповнюйте вище рівня верхніх країв зеленого ріжучого блока.

Примітка: Ніколи не наливайте воду або будь-яку іншу рідину у глек для обробки парою, щоб не пошкодити пристрій.

4 Встановіть клапан на кришку (Мал. 7).

Примітка: Зафіксуйте клапан належним чином.

5 Встановіть сіточку на кришці та зафіксуйте її (Мал. 8).

6 Накрийте глек кришкою і поверніть її за годинниковою стрілкою, щоб зафіксувати. Малі виступи на кришці мають заходити у жолобки на глеку. Слідкуйте, щоб подовження кришки знаходилось на ручці глека (Мал. 9).

7 Встановіть глек на блоці двигуна догори дном, тобто кришкою донизу. Ручка має бути справа і встановлена належним чином (Мал. 10).

Примітка: Пристрій не розпочне обробку парою, якщо глек і ручка не знаходяться у правильному положенні.

8 Поверніть регулятор у положення обробки парою.

▶ Індикатор обробки парою засвічується оранжевим кольором, повідомляючи про обробку парою (Мал. 11).

Гаряча пара або вода можуть обпекти пальці. Не торкайтеся самі і не дозволяйте дітям торкатися гарячих частин та уникайте контакту із парою, щоб не обпектися (Мал. 12).

▶ Час обробки залежить від кількості води у резервуарі. Див. таблицю в розділі “Продукти та час обробки парою” і книгу з рецептами.

▶ Після завершення обробки парою пристрій гуде, а індикатор вимикається.

9 Встановіть регулятор у положення вимкнення. Зачекайте 2 хвилини, поки пара не перестане виходити з отвору для пари, щоб не обпектись гарячою парою. (Мал. 13)

Примітка: Якщо потрібно приготувати наступну порцію продуктів, перед повторним приготуванням дайте пристроєві охолонути протягом 10 хвилин.

10 Якщо Ви бажаєте змішати оброблену парою їжу, виконайте подані нижче дії розділу “Змішування після обробки парою”.

11 За нормальних умов, після обробки парою у резервуарі для води її не повинно залишитись. Однак, за певних обставин (наприклад, в разі утворення накипу всередині резервуара для води, під час втручання в процес обробки чи використання не за призначенням) незначна кількість води може залишитися в резервуарі для води. У такому випадку, після використання повністю спорожніть резервуар, щоб уникнути утворення бактерій. Інформацію щодо видалення накипу див. у розділі “Чищення та догляд”.

Подрібнення після обробки парою

1 Візьміть за ручку глека і зніміть глек із блока двигуна. Покрутіть глеком і струсіть його так, щоб їжа впала на ріжучий блок (Мал. 14).

Беріть глек лише за ручку. Кришка, низ і зовнішня поверхня глека гарячі (Мал. 15).

2 За необхідності зніміть кришку і додайте продукти для змішування (напр., воду чи олію).

Перш ніж знімати кришку глека та кришку резервуара для води після обробки парою, щоб додати продукти в глек чи злити зайву воду з резервуара для води, обов'язково перевіряйте, чи ці кришки вистигли.

Заливши рідину в глек, ніколи не встановлюйте глек у положення для обробки парою.

3 Встановіть глек у вертикальному положенні на блок двигуна, щоб кришка відкривалася догори. Ручка має знаходитися справа і між двома виступами області фіксації (Мал. 16).

4 Поверніть регулятор у положення для подрібнення. Тримайте регулятор у цьому положенні, доки продукти добре не змішаються (Мал. 17).

Не змішуйте пристроєм довше, ніж 30 секунд. Якщо продукти недостатньо змішалися за 30 секунд, перед тим як продовжувати, вимкніть пристрій на кілька секунд. Якщо пристрій нагріється, дайте йому охолонути кілька хвилин перед тим, як продовжувати.

Примітка: Якщо продукти прилипають до стінок глека, вимкніть пристрій та почистіть їх за допомогою лопатки або додавши трохи рідини.

Примітка: Перед тим як давати дитині їсти, перевірте, чи приготована дитяча їжа має належну консистенцію (напр., без грудочок).

Примітка: Якщо дитяча їжа все ще занадто тверда, доливайте рідини (напр., води), поки вона не набуде належної консистенції.

5 Після змішування просто відпустіть регулятор (Мал. 18).

► Регулятор автоматично вимикається.

6 Вийміть змішані продукти з глека. Якщо потрібно, скористайтеся лопаткою з комплекту.

Слідкуйте, щоб температура дитячої їжі була безпечна для дитини.

7 Від'єднайте пристрій від мережі.

8 За нормальних умов, після обробки парою у резервуарі для води її не повинно залишитись. Однак, за певних обставин (наприклад, в разі утворення накипу всередині резервуара для води, під час втручання в процес обробки чи використання не за призначенням) незначна кількість води може залишитися в резервуарі для води. У такому випадку, після використання повністю спорожніть резервуар, щоб уникнути утворення бактерій. Інформацію щодо видалення накипу див. у розділі “Чищення та догляд”.

Подрібнення без обробки парою

Пристрій призначено для:

- приготування пюре із оброблених парою і варених продуктів для приготування дитячої їжі;
- змішування рідин і фруктів для приготування дитячих напоїв.

Пристрій не призначено для подрібнення твердих продуктів, наприклад, кубиків льоду чи цукру.

Заливши рідину в глек, ніколи не встановлюйте глек у положення для обробки парою.

Примітка: Змішуючи рідини, не наповнюйте глек вище максимальної позначки, що зазначена на ньому.

Примітка: Ніколи не обробляйте парою дитячу їжу після того, як подрібнили її.

- 1** Встановіть ріжучий блок на тримач ріжучого блока на глеку (Мал. 5).
- 2** Перед тим як покласти у глек тверді продукти, поріжте їх на дрібні шматки (кубики, розміром до 2-3 см).

Порада: Не обробляйте одночасно велику кількість твердих продуктів. Кладіть їх у блендер невеликими порціями.

- 3** Покладіть продукти у глек. (Мал. 6)

Примітка: Не наповнюйте вище рівня верхніх країв зеленого ріжучого блока.

- 4** Встановіть клапан на кришку (Мал. 7).

Примітка: Зафіксуйте клапан належним чином.

- 5** Встановіть сіточку на кришці та зафіксуйте її (Мал. 8).
- 6** Накрийте глек кришкою і поверніть її за годинниковою стрілкою, щоб зафіксувати. Малі виступи на кришці мають заходити у жолобки на глеку. Слідкуйте, щоб подовження кришки знаходилось на ручці глека. (Мал. 9)
- 7** Встановіть глек у вертикальному положенні на блок двигуна, щоб кришка відкривалася догори. Ручка має знаходитися справа і між двома виступами області фіксації (Мал. 16).
- 8** Поверніть регулятор у положення змішування. Тримайте регулятор у цьому положенні потрібний період часу, але не більше 30 секунд (Мал. 17).

Примітка: Якщо продукти прилипають до стінок глека, вимкніть пристрій і перемішайте їх за допомогою лопатки або додайте трохи рідини. Не наповнюйте глек вище максимальної позначки.

Примітка: Перед тим як давати дитині їсти, перевірте, чи приготована дитяча їжа має належну консистенцію (напр., без грудочок).

Примітка: Якщо дитяча їжа все ще дуже тверда, доливайте рідини (наприклад, води), поки вона не набуде належної консистенції. Не наповнюйте глек вище максимальної позначки.

Примітка: Ніколи не обробляйте парою дитячу їжу після того, як подрібнили її.

Не використовуйте пристрій для подрібнення безперервно довше, ніж 30 секунд. Якщо продукти недостатньо подрібнилися за 30 секунд, перед тим як продовжувати, вимкніть пристрій на кілька секунд. Якщо блок двигуна нагріється, дайте йому охолонути кілька хвилин перед тим, як продовжувати.

- 9** Після змішування просто відпустіть регулятор. (Мал. 18)
▶ Регулятор автоматично вимикається.

10 Вийміть змішані продукти з глека. Якщо потрібно, скористайтесь лопаткою з комплекту. Слідкуйте, щоб температура дитячої їжі була безпечна для дитини.

11 Від'єднайте пристрій від мережі.

Продукти та час обробки паром

Тип продуктів	Інгредієнт	Приблизний час обробки паром*
Фрукти	Яблука	5 хв.
	Апельсини	10 хв.
	Персики	10 хв.
	Груші	5 хв.
	Ананас	15 хв.
	Сливи	10 хв.
Овочі	Спаржа	10 хв.
	Брокколи	20 хв.
	Морква	15 хв.
	Цвітна капуста	15 хв.
	Селера	15 хв.
	Молоді кабачки	15 хв.
	Фенхель	15 хв.
	Квасоля	20 хв.
	Цибуля-порей	15 хв.
	Цибуля	15 хв.
	Горох	20 хв.
	Перець	15 хв.
	Картопля	20 хв.
	Гарбуз	15 хв.
	Шпинат	15 хв.
	Бруква	15 хв.
Солодка картопля	15 хв.	
Помідори	15 хв.	
М'ясо	Курытина, яловичина, баранина, свинина тощо	20 хв.
Риба	Лосось, камбала, тріска, форель тощо	15 хв.

* Усі продукти слід різати маленькими кубиками до 2-3 см.

Примітка: На мірній чашці подано мілілітри і відповідний час обробки паром у хвиликах (50 мл = 5 хв., 100 мл = 10 хв., 150 мл = 15 хв., 200 мл = 20 хв.).

Чищення та догляд

Завжди чистіть пристрій після кожного використання.

Ніколи не занурюйте блок двигуна у воду.

Ніколи не кладіть у пристрій відбілювачі або хімічні розчини/таблетки для стерилізації.

Ніколи не використовуйте для чищення пристрою жорстких губок, абразивних засобів чи рідин для чищення, таких як бензин, ацетон чи спирт.

- 1** Вийміть пристрій із розетки і зніміть глек із блока двигуна (Мал. 19).
- 2** Зніміть кришку з глека і переверніть її догори дном (Мал. 20).
- 3** Зніміть сито і клапан із кришки. (Мал. 21)
- 4** Помийте клапан гарячою водою з миючим засобом та сполосніть його під проточною водою.
- 5** Зніміть ріжучий блок із глека (Мал. 22).
- 6** Ретельно чистіть ріжучий блок під краном відразу після використання. Не забувайте також сполоснути внутрішню частину трубки ріжучого блока (Мал. 23).

Чистіть ріжучий блок дуже обережно. Леза дуже гострі.

Примітка: Якщо Ви хочете краще почистити ріжучий блок, після споліскування його можна також помити у посудомийній машині.

- 7** Інші частини, що контактують з їжею, мийте у гарячій воді з додаванням миючого засобу відразу після використання.

Примітка: Усі частини, крім блока двигуна, можна також мити у посудомийній машині.

- 8** За необхідності блок двигуна чистіть вологою ганчіркою.
- 9** Перевірте, чи частинки їжі не потрапили у резервуар для води. Це можна зробити, зазірнувши через отвір для води; про наявність їжі також свідчить незвичайний колір води чи неприємний запах або запах горілого з резервуара. У такому випадку почистіть резервуар для води (див. підрозділ “Чищення резервуара для води” у цьому розділі).
- 10** Залиште кришку отвору для води відкритою для запобігання утворенню бактерій.

Видалення накипу з резервуара для води.

Якщо у резервуар для води потраплять частинки їжі, вони можуть прилипнути до нагрівального елемента під час наступного процесу обробки паром. Ці частинки не вдасться видалити звичайним полосканням резервуара.

Крім того, для забезпечення 100% ефективності роботи пристрою видаляйте накип кожного місяця. Для зменшення утворення накипу радимо наливати у пристрій кип'ячену або фільтровану воду.

Для видалення частинок їжі з резервуара для води і очищення пристрою від накипу дотримуйтесь наведених нижче інструкцій щодо видалення накипу.

- 1** Пристрій має бути вимкнено.
- 2** Додайте 50 мл прозорого оцту (8% розчин оцтової кислоти) до 150 мл води.

Примітка: Можна також використовувати засоби для видалення накипу на основі лимонної кислоти. Не використовуйте інші види засобів для видалення накипу.

- 3** Наповніть резервуар для води розчином оцту (або лимонної кислоти) і водою.
- 4** Закрийте отвір для води кришкою.

- 5 Встановіть порожній глек (без будь-якої їжі всередині) з ріжучим блоком і кришкою на блок двигуна в положення для обробки парою (щоб кришка була спрямована донизу).
- 6 Поверніть регулятор у положення обробки парою.
 - ▶ Індикатор обробки парою засвічується оранжевим кольором, повідомляючи про обробку парою.
- 7 Після обробки парою протягом 5-6 хвилин вимкніть пристрій і від'єднайте його від розетки.
- 8 Вилийте використаний розчин білого оцту (8% оцтової кислоти) та води з резервуара (Мал. 24).
- 9 Добре кілька разів промийте резервуар для води і глек.
- 10 Налийте у резервуар 200 мл води і, перед тим як знову користуватися пристроєм для приготування їжі, дайте йому попрацювати один довгий цикл обробки парою (20 хв.) із порожнім глеком.
- 11 Залиште кришку отвору для води відкритою для запобігання утворенню бактерій.

Утилізація

- Цей символ означає, що цей виріб не підлягає утилізації зі звичайними побутовими відходами (2012/19/EU) (Мал. 25).
- Дотримуйтесь правил розділеного збору електричних і електронних пристроїв у Вашій країні. Належна утилізація допоможе запобігти негативному впливу на навколишнє середовище та здоров'я людей.

Зберігання

- 1 Перед тим як відкласти пристрій на зберігання, спорожніть резервуар для води (Мал. 24).
- 2 Перед тим як відкласти пристрій на зберігання, перевіряйте, чи всі деталі чисті та сухі (див. розділ "Чищення та догляд").
- 3 Для запобігання пошкодженню зберігайте пристрій із ріжучим блоком у глеку.
- 4 Для запобігання розвитку бактерій не ставте кришку на глек і залиште відкритою кришку отвору для води.

Гарантія та підтримка

Якщо Вам необхідна інформація чи підтримка, відвідайте веб-сайт **www.philips.com/support** чи прочитайте окремий гарантійний талон. Компанія Philips встановлює строк служби на даний виріб – не менше 3 років

Технічні характеристики

- Напруга/потужність: див. таблицю з даними на дні пристрою.
- Максимальна ємність резервуара для води: 200 мл.
- Максимальна ємність глека, рідини: 450 мл.
- Захист: система контролю температури і запобіжного блокування.

Усунення несправностей

У цьому розділі зведено основні проблеми, які можуть виникнути під час використання пристрою. Якщо Ви не в змозі вирішити проблему за допомогою інформації, поданої нижче, відвідайте веб-сайт **www.philips.com/support** для перегляду списку частих запитань або зверніться до Центру обслуговування клієнтів у своїй країні.

Проблема	Можлива причина	Вирішення
Пристрій не працює.	Пристрій обладнано запобіжником. Він не працюватиме, якщо частини пристрою неправильно закріплено на блоці двигуна.	Закріпіть усі частини належним чином. Див. розділ "Застосування пристрою".
Індикатор обробки парюю не засвічується.	Пристрій не приєднано до мережі. Глек неправильно встановлено на блоці двигуна.	Вставте штепсель у розетку на стіні. Встановіть глек належним чином на блоці двигуна.
	Ви хочете почати наступний цикл обробки парюю відразу після завершення попереднього.	Вимкніть пристрій і перед тим як розпочати наступний цикл обробки парюю, дайте йому охолонути кілька хвилин.
Продукти підігріваються не повністю.	У глеку надто великі шматки, надто багато їжі або їжа оброблялася парюю не достатньо часу.	Поріжте продукти на дрібні шматки (2-3 см), зменшіть кількість продуктів у глеку або виберіть довший час обробки парюю (макс. 20 хвилин). Готуйте відповідно до книги рецептів і/або таблиці в розділі "Продукти та час обробки парюю", що дозволяє також вибрати правильний час обробки продуктів парюю.
Пристрій не обробляє парюю.	У пристрої немає води. Глек на блоці двигуна встановлено в неправильному положенні.	Вимкніть пристрій і налейте відповідну кількість води. Встановіть глек на пристрої у правильне положення (див. підрозділ "Обробка парюю" в розділі "Застосування пристрою").
Обробка парюю триває надто довго чи функція обробки парюю не спрацьовує.	У резервуарі для води дуже багато накипу.	Видаліть накип із резервуара для води. Див. розділ "Чищення та догляд", підрозділ "Видалення накипу".
З отвору для води виходить пара.	Кришку отвору для води не закрито належним чином. Парковий отвір на блоці двигуна заблоковано їжею або накипом.	Закрийте отвір для води кришкою належним чином (до клацання). Почистьте паровий отвір гострим предметом, не пошкоджуючи ущільнення, та дотримуйтеся вказівок щодо видалення накипу. Див. розділ "Чищення та догляд", підрозділ "Видалення накипу".

Проблема	Можлива причина	Вирішення
	Отвір для пари в кришці заблоковано.	Зніміть клапан і належним чином почистіть отвір для пари у кришці.
Індикатор обробки парою засвітиться знову після обробки парою. Через деякий час пристрій знову гудітиме.	Ви випадково залишили глек на платформі довше, ніж на 10 хвилин, не вимикаючи пристрою.	Вимикайте пристрій в межах 10 хвилин після обробки їжі парою, після чого змішуйте їжу або виймайте її із глека.
Ріжучий блок або блок двигуна заблоковано.	У глеку надто багато продуктів.	Вимкніть пристрій і переробляйте продукти меншими порціями. Не наповнюйте глек вище рівня верхніх країв зеленого ріжучого блока.
Під час першого використання з двигуна виходить неприємний запах.	Це нормально.	Якщо з пристроєм продовжує виходити неприємний запах після кількох разів використання, перевірте, чи Ви переробляєте відповідну кількість продуктів і чи вибрано правильний час обробки. Див. розділ "Продукти та час обробки парою".
Із пристрою продовжує виходити неприємний запах, навіть після кількох разів використання.	Ви кладете у глек надто багато їжі або дуже довго змішуєте.	Обробляйте меншу кількість їжі та не змішуйте пристроєм більше 30 секунд.
Пристрій шумить, виділяє неприємний запах, гарячий на дотик, з нього йде дим тощо.	У глеку надто багато продуктів.	Вимкніть пристрій та переробляйте продукти меншими порціями.
	Пристрій працює надто довго без перерви.	Не змішуйте пристроєм довше 30 секунд.
Кришка глека протікає.	Кришку неправильно встановлено на глеку.	Встановіть кришку на глеку належним чином. Див. розділ "Застосування пристрою".
	У глеку надто багато продуктів.	Вимкніть пристрій та переробляйте продукти меншими порціями.
На отворі для води та/чи глеку, сіточці і кришці з'явилися білі плями.	На цих частинах утворився накип.	Це нормально. Періодично видаляйте накип. Див. розділ "Чищення та догляд", підрозділ "Видалення накипу".

Проблема	Можлива причина	Вирішення
Під час змішування пристрій дуже шумить.	Сіточка не прикріплена до кришки глека.	Слідкуйте, щоб сіточка була прикріплена до кришки глека.
Виливаючи воду з резервуара або коли вода потрапляє в глек під час обробки парою, Ви помітили, що вона має неприродний вигляд чи неприємний запах.	У резервуар для води потрапили частинки їжі.	Почистіть резервуар для води відповідно до інструкцій в розділі "Чищення та догляд", підрозділ "Чищення резервуара для води". Під час використання пристрою строго дотримуйтесь інструкцій. Не переповнюйте резервуар для води (макс. 200 мл) і глек (не наповнюйте глек продуктами вище рівня верхніх країв зеленого ріжучого блока). Не обробляйте парою одні й ті самі продукти більше 20 хвилин і не доливайте воду безпосередньо в глек. Також перевірте, чи зафіксований клапан у кришці.
З резервуара для води чується запах смаженої або підгорілої їжі	Під час використання пристрою в резервуарі для води потрапили частинки їжі і прилипли до нагрівального елемента.	Почистіть резервуар для води відповідно до інструкцій в розділі "Чищення та догляд", підрозділ "Чищення резервуара для води". Під час використання пристрою строго дотримуйтесь інструкцій. Не переповнюйте резервуар для води (макс. 200 мл) і глек (не наповнюйте глек продуктами вище рівня верхніх країв зеленого ріжучого блока). Не обробляйте парою одні й ті самі продукти більше 20 хвилин і не доливайте воду безпосередньо в глек. Також перевірте, чи зафіксований клапан у кришці.
Темні крапки на дитячій їжі або вода в глеку має неприродний колір.	Під час використання пристрою в резервуарі для води потрапили частинки їжі і прилипли до нагрівального елемента. Це призводить до того, що частинки їжі потрапляють у глек під час обробки парою.	Почистіть резервуар для води відповідно до інструкцій в розділі "Чищення та догляд", підрозділ "Чищення резервуара для води". Під час використання пристрою строго дотримуйтесь інструкцій. Не переповнюйте резервуар для води (макс. 200 мл) і глек (не наповнюйте глек продуктами вище рівня верхніх країв зеленого ріжучого блока). Не обробляйте парою одні й ті самі продукти більше 20 хвилин і не доливайте воду безпосередньо в глек. Також перевірте, чи зафіксований клапан у кришці.

Кіріспе

Осы затты сатып алуыңызбен құттықтаймыз және Philips Avent компаниясына қош келдіңіз! Philips Avent ұсынатын қолдауды толығымен қолдану үшін өніміңізді

www.philips.com/welcome торабында тіркеңіз.

Осы біріктірілген булағыш және блендер сәби тағамының кішкентай мөлшерін дайындауға қолайлы. Біріктірілген булағыш және блендер бір құралда қарапайым булау және араластыру функциясымен сәбилерге арналған таза тағамдарды дайындауда барлық ата-аналарға қолдау көрсетеді.

Жалпы сипаттама (I-сурет)

- 1 Бу саңылауы қақпағы
- 2 Тор
- 3 Пышақ бөлігі
- 4 Пышақ бөлігі ұстағышы бар құмыра
- 5 Су ыдысының толтыру саңылауы
- 6 Мотор бөлігіндегі бу шығысы
- 7 Тұтқаның құлыптау аймағы
- 8 Мотор бөлігі
- 9 Булау шамы
- 10 Басқару тұтқасы
- 11 Клапан
- 12 Қалақ
- 13 Өлшеуіш стакан
- 14 Электр сымынан тұратын құрал асты

Маңызды

Құралды қолданбастан бұрын осы пайдаланушы нұсқаулығын мұқият оқып шығыңыз да, оны келешекте қарау үшін сақтап қойыңыз.

Қауіпті

- Моторды суға немесе басқа сұйықтыққа батыруға болмайды, немесе кран астындағы сумен шаюға да болмайды.

Ескерту

- Құралды қоспас бұрын, онда көрсетілген кернеудің жергілікті желі кернеуіне сәйкес келетінін тексеріп алыңыз.
- Штепсельдік ұшы, қуат сымы немесе өзі зақымданған болса, құралды қолданбаңыз.
- Қуат сымы зақымданған болса, қауіпті жағдай орын алмауы үшін, оны тек Philips компаниясында, Philips мақұлдаған қызмет орталығында немесе білікті мамандар ауыстыруы керек.
- Құралды қауіпсіз пайдалану жөніндегі нұсқаулар беріліп, басқа біреу қадағалаған және құралды пайдалануға қатысты қауіп-қатерлер түсіндірілген жағдайда, осы құралды физикалық, сезу немесе ойлау қабілеті шектеулі, білімі мен тәжірибесі аз адамдар пайдалана алады.

- Бұл құралды балалардың пайдалануына болмайды. Құралды және сымды балалар жетпейтін жерде сақтаңыз.
- Балалар құралмен ойнамауы керек.
- Саптама-пышақтың кесетін жүздерін, әсіресе құрал розеткаға жалғаулы тұрғанда және тазалау барысында ұстамаңыз. Кесетін жүздер өте өткір болады.
- Егер пышақ тұрып қалса, құрылғыны алдымен розеткадан ажыратып пышақ бөлігіндегі азықтарды шығарыңыз.
- Булау барысында құрал ыстық болады және тұрткен кезде күйдіруі мүмкін. Құмыраны тек тұтқасымен көтеріңіз.
- Булау барысында және оның қақпағын ашқанда құмырадан қатты ыстық бу шығады.
- Қақпақты ашқан кезде ыстық бу су ыдысының толтыру саңылауынан шығатынын тексеріңіз.
- Булау процесі аяқталғанда құмыра қақпағындағы бу саңылауынан және мотор бөлігіндегі бу шығысынан шамалы уақыт ыстық бу шығады. Құмыраны мотор бөлігінен көтеріп шығару кезінде абай болыңыз.
- Егер құрал дұрыс пайдаланылмаса, толтыру саңылауынан ыстық бу шығуы мүмкін. Осыны болдырмау немесе шешу үшін «Ақаулықтарды жою» тарауын қараңыз.
- Құралды қадағалаусыз қосып қоюға болмайды.
- Техникалық қызмет көрсету немесе тазалау мақсаттары үшін мотор бөлігін бөлшектеуге болмайды. Жөндеу үшін өкілетті Philips қызмет көрсету орталығына апарыңыз.

Абайлаңыз

- Басқа өндірушілердің бөлшектерін немесе қосымша қондырғыларын, немесе Philips арнайы кеңес ретінде ұсынбаған бөлшектерді қолдануға болмайды. Егер сіз сондай бөлшектерді немесе қосымша қондырғыларды қолданған болсаңыз, онда сіздің кепілдігіңіз өз күшін жоғалтады.
- Құралды қосылып тұрған не болмаса әлі ыстық пештің немесе плитаның үстіне де, қасына да қоймаңыз.
- Тазарту үшін, алдымен құралды розеткадан ажыратып, суытып алу керек.
- Микротолқынды пеште құмыраны немесе құралдың басқа бөлігін пайдаланбаңыз, себебі құмыра тұтқасы мен пышақтың металл бөліктерін онда қолдануға болмайды.
- Құмыраны немесе құралдың басқа бөлігін қысқа толқынды пеште немесе стерилизаторда стерилдеуге болмайды, себебі құмыра

тұтқасы мен пышақтың металл бөліктері мұндай қолданыс үшін қолайлы емес.

- Бұл құрал тек үйде қолдануға арналған. Құрал дұрыс пайдаланылмаған немесе кәсіби не жартылай кәсіби мақсатта қолданылған болса, сондай-ақ, нұсқаулықта көрсетілгендей қолданбаса, кепілдік жарамсыз болады және Philips компаниясы ешбір зақымға жауапты болмайды.
- Стаканға ыстық сұйықтық құйғанда сақ болыңыз, өйткені ыстық сұйықтық және бу күйіп қалуға және шығысқа әкелуі мүмкін.
- Басқа ингредиенттер бөлігін булау алдында құралды 10 минут суытыңыз.
- Құрал мұз текшелері және қант текшелері сияқты қатты ингредиенттерді турауға арналмаған.
- Құралмен араластыруды бір уақытта 30 секундтан асырмаңыз. Егер араластыруды 30 секунд ішінде аяқтамаған болсаңыз, құралды сөндіріп, ары қарай жалғастыру алдында бірнеше секунд күтіңіз. Егер құрал ысып кетсе, жалғастыру алдында бірнеше минут суытыңыз.
- Құралды тұрақты, көлденең және тегіс бетке қойыңыз. Пайдалану барысында құралдан ыстық бу шығатын болса, кабиналарға немесе басқа заттарға зақым келтірмеу үшін жеткілікті орын бар екендігін тексеріңіз.
- Құласа немесе зақымдалса, құралды пайдаланбаңыз. Philips рұқсат берген қызмет орталығына апарып, жөндетіңіз.
- Құралға зақым келтіріп алмау үшін булау мақсатында құмыраға ешқашан суды, басқа сұйықтықтарды немесе араласқан тағамды құймаңыз.
- Булау функциясын сусыз ешқашан пайдаланбаңыз.
- Су ыдысын (ең көбі 200 мл) асыра толтырмаңыз. Өлшеуіш стаканда көрсетілген ең жоғарғы деңгейден асырмаңыз.
- Ингредиенттерді булау кезінде құмыраны асыра толтырмаңыз. Жасыл пышақ бөлігінің үстіңгі бөлігімен тағаммен жабылмағанын тексеріңіз (2-сурет).
- Сұйықтықты араластыру кезінде құмырада (450 мл) көрсетілген ең жоғарғы деңгейден асырмаңыз.
- Толтыру саңылауына немесе бу шығысына ешқандай зат салмаңыз.
- Булау процесі барысында су ыдысын ешқашан толтырмаңыз, себебі нәтижесінде ыстық су және бу құралдан шығуы мүмкін.
- Қажет болғанда араластыратын қосымша ингредиенттер қосу үшін қақпақты ашпастан бұрын булаудан кейін қақпақтың суығанын тексеріңіз.

- Құралды таймер тәрізді сырттан ажыратып қосу құрылғысына немесе коммуналды мекемелер жиі қосып өшіретін желіге жалғамаңыз. Бұл термалды сақтандырғыштың кездейсоқ қайта қосылуынан туындайтын қауіптің алдын алады.
- Балаңызды тамақтандыра алдында тағамның температурасын алақаныңыздың сыртқы жағымен әрқашан тексеріңіз.
- Бала тағамы сәйкестігін үнемі тексеріңіз. Тағамда түйдектердің жоқ екенін тексеріңіз.
- Булау процесі (ең көбі 20 минут) аяқталғанда сәби тағамын қайта буламаңыз немесе қайта қыздырмаңыз.
- Құмырадан тағамды алу үшін тек берілген қалақты пайдаланыңыз.
- Жүйелі түрде қақты кетіру құралға зақым келтірмейді.
- Қолдану кезінде қозғалатын қосалқы құралдарын немесе жақын бөлшектерін ауыстыра алдында құрылғыны өшіріп, қуат көзінен ажыратыңыз.
- Құмыраны босату және тазалау барысында үшкір пышақтармен абай болыңыз.
- Құрылғы қолданылмаса, оны қуат көзінен ажыратыңыз.
- Тазалау және пайдаланушының қызмет көрсету жұмысын балалар орындамауы керек.
- Шу деңгейі: $L_c = 89$ дБ(А).

Қауіпсіздік жүйесі

Құрал кірістірілген қауіпсіздік құлпымен жабдықталған. Құрал тек мотор бөлігіне барлық бөлшектер дұрыс құрастырылса жұмыс істейді. Егер барлық бөлшектер дұрыс құрастырылса, кірістірілген қауіпсіздік құлпы құлыптан босатылады.

Құрал қатты қызып кету қорғанысымен де жабдықталған. Егер екі булау процесінің арасындағы уақыт тым қысқа болса, араластыру функциясы тым ұзақ пайдаланылса немесе құмырада тым көп ингредиенттер болса, қатты қызып кету орын алуы мүмкін. Егер қатты қызып кету қорғанысы пайдалану барысында құралды өшірсе, басқару тұтқасын 0 мәніне орнатып, құралды бірнеше минут суытыңыз. Осыдан кейін құралды қайта пайдалануға болады.

Электромагниттік өрістер (ЭМӨ)

Осы Philips құрылғысы электромагниттік өрістерге қатысты барлық қолданыстағы стандарттар мен ережелерге сәйкес келеді.

Алғашқы рет қолданар алдында

- 1** Құралдан бүкіл орауышты алыңыз.
- 2** Мотор бөлігінен басқа барлық бөлшектерді тазалаңыз («Тазалау және техникалық қызмет көрсету» тарауын қараңыз).

Құрылғыны қолдану

Ескерту: Балаңызды тамақтандыра алдында тағамның температурасын алақаныңыздың сыртқы жағымен әрқашан тексеріңіз.

Ескерту: Қажет болғанда араластыруға қосымша ингредиенттер қосу үшін оны алу алдында булаудан кейін қақпақтың суығанын тексеріңіз. Құмырада көрсетілген ең жоғарғы деңгейден асырмаңыз.

Ескерту: Жаңа булау процесін бастау үшін су ыдысын қайта толтыру алдында оны босатыңыз.

Ескерту: Булауды бастау алдында жасыл пышақ бөлігінің үстіңгі шеті жабылмағанын тексеріңіз.

Ескерту: Сұйықты араластыру кезінде құмырада (450 мл) көрсетілген ең жоғарғы деңгейден асырмаңыз.

Бұл құрал таза қатты ингредиенттерді булауға және сәби тағамын алу үшін араластыруға арналған. Кейбір мысалдарды рецепт буклетінен қараңыз. Алдымен, қалыпты түрде ингредиенттерді булап, оларды араластырыңыз. Дегенмен, құралды тек булауға немесе араластыруға пайдалануға болады. Құралды тек араластыруға пайдалану кезінде «Су ыдысын толтыру» және «Булау» бөлімдерін өткізіп жіберіп, тек «Араластыру» бөліміндегі нұсқауларды орындаңыз. Ингредиенттердің бір бөлігін 20 минуттан аса немесе бірнеше рет буламаңыз. Бұл құралды келесі әрекеттер үшін пайдалануға **БОЛМАЙДЫ**:

- Тағамды еріту
- Қатырылған тағамды булау
- Әлдеқашан араласқан тағамды булау
- Бірдей ингредиенттерді 20 минуттан артық булау
- Күріш пен пастаны пісіру
- Алдымен ингредиенттерді араластыру, одан кейін булау
- Сорпа немесе су сияқты сұйықтықты қыздыру
- Тағамды бірнеше сағат жылы сақтау
- Тағамды қайта қыздыру

Су ыдысын толтыру

1 Өлшеуіш стаканды қажетті деңгейге дейін сумен толтырыңыз (3-сурет).

Өлшеуіш стакан миллилитрді және тиісті булау уақытын минут бірлігінде көрсетеді. Рецепттердің ұсынылатын мөлшерін бөлек рецепт буклетінен қараңыз.

Ескертпе: Су ыдысы артық толтырылмағанын тексеру үшін өлшеуіш стаканға (200 мл) көрсетілген ең жоғарғы деңгейден асырмаңыз.

Ескертпе: Минералды суды пайдаланбауды ұсынамыз, себебі судың осындай түріндегі минералдар су ыдысы ішінде қақ түзілуіне себеп болады.

2 Суды толтыру саңылауына құйып, қақпақты жабыңыз (4-сурет).

Ескертпе: Су ыдысына судан басқа сұйықтықты құймаңыз.

Бумен үтіктеу

Егер белгілі бір көкөністер мен жемістер буланса, олар қатты тағамды жеуді бастаған сәбилерге арналған. Булау — тағам дайындаудың денсаулыққа ең пайдалы жолы, себебі тағам көптеген витамин мен басқа нәрлі зат түрлерін сақтайды.

Ескертпе: Бөлек рецепт буклетінен осы рецепттерге талап етілетін рецепттерді және әзірлеу уақытын табуға болады. Рецепттер бала жасына қатысты екендігін ескеріңіз.

Ескертпе: Қатырылған ингредиенттерді буламаңыз, себебі құралда қатырылған тағамды булауға қажетті температураға дейін қыздыру мүмкін емес. Осы құралда оларды еріту алдында қатырылған қатты ингредиенттерді үнемі ерітіңіз. Құмыраға салу алдында ерітілген ингредиенттерден артық суды шайқап төгіңіз.

1 Құмырадағы пышақ тұтқасына пышақты салыңыз (5-сурет).

2 Құмыраға салмастан бұрын қатты ингредиенттерді кішкентай бөліктерге (2-3 см-ден кішкентай текшелер) бөліңіз.

Ескертпе: Қатты ингредиенттерді шайқап жатқанда бірден көп мөлшерін шайқамаңыз. Оның орнына, ол ингредиенттерді бірнеше кішкене топтама ретінде шайқаныз.

3 Ингредиенттерді құмыраға салыңыз (6-сурет).

Ескертпе: Жасыл пышақ бөлігінің үстіңгі шетінен асырмаңыз.

Ескертпе: Құралға зақым келтірмеу үшін булауға арналған құмыраға су немесе басқа сұйықтық құймаңыз.

4 Қақпаққа клапан салыңыз (7-сурет).

Ескертпе: Клапанның дұрыс бекітілгенін тексеріңіз.

5 Құмыра қақпағына торды салыңыз («сырт») (8-сурет).

6 Құмыра қақпағын салып, бекіту үшін сағат тілімен бұраңыз. Қақпақтағы кішкентай проекциялар құмырадағы ойықтарға жылжиды. Қақпақтың үлкен проекциясы құмыра тұтқасының үстіне орналасқанын тексеріңіз (9-сурет)

7 Құмыраны мотор бөлігіне жоғарыдан төмен қақпағын төмен қаратып орналастырыңыз. Тұтқа оң жақта екендігін және дұрыс тіркелгенін тексеріңіз (10-сурет).

Ескертпе: Егер құмыра және тұтқа дұрыс күйде болмаса, құрал булауды бастамайды.

8 Басқару тұтқасын булау күйіне бұраңыз.

► Құралдың булап жатқанын көрсету үшін булау шамы қызғылт сары түспен жанады (11-сурет).

Ескерту: Ыстық бу немесе ыстық су саусақтарды күйдіруі мүмкін. Ыстық бөлшектер мен буды ұстамаңыз және балалардың ұстауына жол бермеңіз, себебі күйікке себеп болуы мүмкін (12-сурет).

► Булау уақыты су ыдысына салынған су мөлшеріне байланысты. «Ингредиенттер және булау уақыты» тарауындағы кестені және рецепт буклетін қараңыз.

► Булау процесі аяқталған кезде құрал дыбыстық сигнал шығарып, булау шамы өшеді.

9 Басқару тұтқасын өшіру күйіне орнатыңыз. Ыстық буға күюді болдырмау үшін бу шығысынан бу тоқтағанша 2 минут күтіңіз (13-сурет).

Ескертпе: Егер ингредиенттердің басқа бөлігін булау керек болса, булау процесін қайта бастау алдында құралды 10 минут суытыңыз.

10 Егер буланған тағамды араластыру керек болса, төмендегі «Булаудан кейін араластыру» бөліміндегі нұсқауларды орындаңыз.

11 Қалыпты жағдайларда булаудан кейін су ыдысында су қалмайды. Дегенмен, кейбір жағдайларда (мысалы, су ыдысында құрылатын қақ, булау процесі кідірісі немесе нұсқаусыз пайдалану жағдайында) су ыдысында біраз су қалуы мүмкін. Мұндай жағдайда бактериялық өсімді болдырмау үшін су ыдысын толығымен босатыңыз. Су ыдысының қағын тазалау үшін «Тазалау және техникалық қызмет көрсету» тарауын қараңыз.

Булаудан кейін араластыру

- 1** Құмыра тұтқасын ұстап, құмырадан мотор бөлігінен көтеріп шығарыңыз. Құмыраны бұрап, пышақ бөлігіне тағамды құлатпай шайқаңыз (14-сурет).

Ескерту: Тек құмыра тұтқасын ұстаңыз. Құмыра қақпағы, асты және сыртқы беті ыстық (15-сурет).

- 2** Қажет болғанда қақпақты алып, қосымша ингредиенттерді араластыруға қосыңыз (мысалы, су немесе май).

Ескерту: Құмыраға қосымша ингредиенттер қосу немесе су ыдысынан қалған суды төгу мақсатында ашу алдында булаудан кейін құмыра қақпағы мен су ыдысының қақпағы суығанын тексеріңіз.

Ескерту: Құмыраға сұйықтықты қосқаннан кейін құмыраны булау орнына қоймаңыз.

- 3** Құмыраны мотор бөлігіне тігінен, мысалы, қақпақты тігінен, орналастырыңыз. Тұтқа оң жақта екендігін және құлыптау аймағының екі шетіне орналастырылғанын тексеріңіз (16-сурет).

- 4** Басқару тұтқасын араластыру күйіне бұраңыз. Тағам дұрыс араласқанша тұтқаны осы күйде ұстаңыз (17-сурет).

Ескерту: Құралмен араластыруды бір уақытта 30 секундтан асырмаңыз. Егер араластыруды 30 секунд ішінде аяқтамаған болсаңыз, құралды сөндіріп, ары қарай жалғастыру алдында бірнеше секунд күтіңіз. Егер құрал ысып кетсе, жалғастыру алдында бірнеше минут суытыңыз.

Ескертпе: Егер ингредиенттер құмыра қабырғасына жабысса, құралды өшіріп, қалақпен оларды босатыңыз немесе шамалы сұйықтық қосыңыз.

Ескертпе: Пайдаланбастан бұрын араластырылған сәби тағамы дұрыс сәйкестікке (мысалы, кесіктер жоқ) ие екендігін тексеріңіз.

Ескертпе: Егер сәби тағамы әлі де қатты болса, сәби тағамы жұмсақ және теріс болмайынша шамалы сұйықтық (мысалы, су) қосыңыз.

- 5** Араластыруды аяқтаған кезде басқару тұтқасын босатыңыз (18-сурет).

▶ Тұтқа автоматты түрде өшіру күйіне оралады.

- 6** Құмырадан араластырылған тағамды алыңыз. Қажет болса, берілген қалақты пайдаланыңыз.

Ескерту: Сәби тағамы сәбиге арналған қауіпсіз температурада екендігін тексеріңіз.

- 7** Құрылғыны ток көзінен ажыратыңыз.

- 8** Қалыпты жағдайларда булаудан кейін су ыдысында су қалмайды. Дегенмен, кейбір жағдайларда (мысалы, су ыдысында құрылатын қақ, булау процесі кідірісі немесе нұсқаусыз пайдалану жағдайында) су ыдысында біраз су қалуы мүмкін. Мұндай жағдайда бактериялық өсімді болдырмау үшін су ыдысын толығымен босатыңыз. Су ыдысының қағын тазалау үшін «Тазалау және техникалық қызмет көрсету» тарауын қараңыз.

Буламай араластыру

Бұл құрал мына адамдарға арналған:

- сәби тағамына арналған буланған және әзірленген ингредиенттерді езу
- бала сусыны үшін сұйықтықтар мен жемістерді араластыру

Ескертпе: Сұйықтықты араластыру кезінде құмырадағы ең жоғарғы деңгей көрсеткішінен асыра толтырмаңыз.

Ескертпе: Араластырудан кейін сәби тағамын буламаңыз.

150 ҚАЗАҚША

Ескерту: Құрал мұз текшелері және қант текшелері сияқты қатты ингредиенттерді турауға арналмаған.

Ескерту: Құмыраға сұйықтықты қосқаннан кейін құмыраны булау орнына қоймаңыз.

1 Құмырадағы пышақ тұтқасына пышақты салыңыз (5-сурет).

2 Құмыраға салмастан бұрын қатты ингредиенттерді кішкентай бөліктерге (2-3 см-ден кішкентай текшелер) бөліңіз.

Кеңес. Қатты ингредиенттерді шайқап жатқанда бірден көп мөлшерін шайқамаңыз. Оның орнына, ол ингредиенттерді бірнеше кішкене топтама ретінде шайқаныз.

3 Ингредиенттерді құмыраға салыңыз (6-сурет).

Ескертпе: Жасыл пышақ бөлігінің үстіңгі шетінен асырмаңыз.

4 Қақпаққа клапан салыңыз (7-сурет).

Ескертпе: Клапанның дұрыс бекітілгенін тексеріңіз.

5 Құмыра қақпағына торды салыңыз («сырт») (8-сурет).

6 Құмыра қақпағын салып, бекіту үшін сағат тілімен бұраңыз. Қақпақтағы кішкентай проекциялар құмырадағы ойықтарға жылжиды. Қақпақтың үлкен проекциясы құмыра тұтқасының үстіне орналасқанын тексеріңіз (9-сурет)

7 Құмыраны мотор бөлігіне тігінен, мысалы, қақпақты тігінен, орналастырыңыз. Тұтқа оң жақта екендігін және құлыптау аймағының екі шетіне орналастырылғанын тексеріңіз (16-сурет).

8 Басқару тұтқасын араластыру күйіне бұраңыз. Тұтқаны осы күйде ұстаңыз, бірақ 30 секундтан асырмаңыз (17-сурет).

Ескертпе: Егер ингредиенттер құмыра қабырғасына жабысса, құралды өшіріп, қалақпен оларды босатыңыз немесе шамалы сұйықтық қосыңыз. Құмырада көрсетілген ең жоғарғы деңгейден асырмаңыз.

Ескертпе: Пайдаланбастан бұрын араластырылған сәби тағамы дұрыс сәйкестікке (мысалы, кесіктер жоқ) ие екендігін тексеріңіз.

Ескертпе: Егер сәби тағамы әлі де қатты болса, сәби тағамы жұмсақ және тегіс болмайынша шамалы сұйықтық (мысалы, су) қосыңыз. Құмырада көрсетілген ең жоғарғы деңгейден асырмаңыз.

Ескертпе: Араластырудан кейін сәби тағамын буламаңыз.

Ескерту: Құралмен араластыруды бір уақытта 30 секундтан аса қоспаңыз. Егер сіз шайқауды 30 секунд ішінде аяқтамаған болсаңыз, мотор бөлігін сөндіріп, ары қарай жалғастыру алдында бірнеше минут күтіңіз. Егер құрал ысып кетсе, жалғастыру алдында бірнеше минут суытыңыз.

9 Араластыруды аяқтаған кезде басқару тұтқасын босатыңыз (18-сурет).

▶ Тұтқа автоматты түрде өшіру күйіне оралады.

10 Құмырадан араластырылған тағамды алыңыз. Қажет болса, берілген қалақты пайдаланыңыз.

Ескерту: Сәби тағамы сәбиге арналған қауіпсіз температурада екендігін тексеріңіз.

II Құрылғыны ток көзінен ажыратыңыз.

Ингредиенттер және булау уақыты		
Тамақ түрі	Ингредиенттер	Тиісті булау уақыты*
Жеміс жидек	Алма	5 мин
	Апельсин	10 мин.
	Шабдалы	10 мин.
	Алмұрт	5 мин
	Ананас	15 мин
	Алхоры	10 мин.
Көкөністер	Қояншөп	10 мин.
	Брокколи	20 мин.
	Сәбіз	15 мин.
	Түрлі түсті капуста	15 мин.
	Сельдерей	15 мин.
	Цукини	15 мин.
	Фенхель	15 мин.
	Баданалар	20 мин.
	Жуа	15 мин.
	Пияз	15 мин.
	Бұршақ	20 мин.
	Бұрыш	15 мин
	Картоп	20 мин.
	Асқабақ	15 мин.
	Шпинат	15 мин.
Тарна	15 мин.	
Тәтті картоп	15 мин.	
Қызанақ	15 мин.	
Ет	Тауық, сиыр, қой, шошқа, т.б.	20 мин.
Балық	Албырт, теңіз тілі, нәлім, бахта, т.б.	15 мин.

* Барлық тағам 2-3 см-ден кішкентай кубиктерге кесілуі керек.

Ескертпе: Өлшеуіш стакан миллиметрді және тиісті булау уақытын минут бірлігінде көрсетеді (50 мл = 5 мин, 100 мл = 10 мин, 150 мл = 15 мин, 200 мл = 20 мин).

Тазалау және күту

Ескерту: Құралды қолданған сайын тазалаңыз.

Ескерту: Мотор бөлігін суға батырмаңыз.

Ескерту: Құрылғыда ағартқышты немесе химиялық стерилдеу ерітінділерін/таблеткаларын ешқашан пайдаланбаңыз.

Ескерту: Қырғыш жөке, қырғыш тазалағыш агенттерді, бензин, ацетон немесе спирт тәріздес агрессивті сұйықтықтарды құралды тазалау үшін қолдануға болмайды.

- 1** Құралды ажыратып, құмыраны мотор бөлігінен алыңыз (19-сурет).
- 2** Құмыра қақпағын алып, қақпақты жоғарыдан төмен қаратып бұраңыз (20-сурет).
- 3** Тор мен клапанды қақпақтан алыңыз (21-сурет).
- 4** Клапанды ыстық суда кішкене тазалағыш сұйықтық қосып жуып, ағын су астында шайып жіберіңіз.
- 5** Құмырадан пышақ бөлігін алыңыз (22-сурет).
- 6** Пышақ бөлігін су астында, дереу қолданыстан кейін тазалаңыз. Сонымен қатар, пышақ бөлігі түтігінің ішін шайыңыз (23-сурет).

Ескерту: Пышақ бөлігін өте мұқият ұстаңыз. Кесетін жүздер өте өткір болады.

Ескертпе: Егер пышақ бөлігін дұрыстап тазалау керек болса, шайғаннан кейін ыдыс жуғышқа салуға болады.

- 7** Ыстық суда байланысқа түсетін басқа бөлшектерді қолданыстан кейін дереу жуу сұйықтығымен тазалаңыз.

Ескертпе: Мотор бөлімінен басқа бөлшектерінің бәрін ыдыс жуғышта жууға болады.

- 8** Қажет болғанда мотор бөлігін дымқыл шүберекпен сүртіңіз.
- 9** Су ыдысына тағам бөлшектері енбегенін тексеріңіз. Тағам бөлшектері болған жағдайда толтыру саңылауын қараумен немесе су түсі қалыпсыз болған жағдайда тексерумен және су ыдысынан жағымсыз не күйік иісі шығатынын иіскеумен орындауға болады. Егер осы мәселе тудырса, су ыдысын тазалаңыз (осы тараудағы «Су ыдысын тазалау» бөлімін қараңыз).
- 10** Бактериялық өсімді болдырмау үшін толтыру саңылауы қақпағын ашық қалдырыңыз.

Су ыдысы қағын кетіру

Егер тағам бөлшектері су ыдысына өтсе, келесі булау процестері барысында су ыдысына қыздыру элементі жабысуы мүмкін. Бұл бөлшектер су ыдысын шаюмен жойылмайды.

Оған қоса, жұмыс 100% тиімді түрде жалғаспауы үшін құрал қағын төрт апта сайын тазалаңыз. Қақ тұруды азайту үшін құралда алдын ала қайнатылған немесе сүзілген суды пайдалануға болады. Су ыдысынан тағам бөліктерін жою және құрал қағын тазалау мақсатында төмендегі қақты тазалау нұсқауларын орындаңыз.

- 1** Құрылғының өшірілгенін тексеріңіз.
- 2** 50 мл ақ сірке суды (8% сірке су қышқылы) 150 мл суға қосыңыз.

Ескертпе: Сондай-ақ, цитрустық қышқыл негізіндегі қақ түсіргіштерді пайдалануға болады. Қақ түсіргіштердің басқа түрлерін пайдаланбаңыз.

- 3** Су ыдысын сірке су ерітіндісімен (немесе цитрустық қышқыл) және сумен толтырыңыз.
- 4** Су құятын саңылау қақпағын жабыңыз.

- 5 Бос құмыраны (ешбір тағамсыз) монтаждалған пышақ бөлігімен және мотор бөлігіндегі қақпақты булау күйіне салыңыз (мысалы, төмен қаратылған қақпақ).
- 6 Басқару тұтқасын булау күйіне бұраңыз.
 - ▶ Құралдың булап жатқанын көрсету үшін булау шамы сарғыш түспен жанады.
- 7 5-6 мин булаудан кейін құралды өшіріп, қуат көзінен ажыратыңыз.
- 8 Су ыдысынан пайдаланылған ақ сірке су (8% сірке су қышқылы) ерітіндісін және суды төгіңіз (24-сурет).
- 9 Су ыдысын және құмыраны таза сумен бірнеше рет шайыңыз.
- 10 Су ыдысын 200 мл сумен толтырып, құралды тағаммен қайта пайдаланбастан бұрын бос құмырамен 20 минут булау циклін орындауға мүмкіндік беріңіз.
- 11 Бактериялық өсімді болдырмау үшін толтыру саңылауы қақпағын ашық қалдырыңыз.

Өңдеу

- Бұл таңба осы өнімді қалыпты тұрмыстық қалдықпен тастауға болмайтынын білдіреді (2012/19/EU) (25-сурет).
- Электрондық және электр өнімдерді бөлек жинау бойынша жергілікті ережелерді орындаңыз. Дұрыс тастау қоршаған ортаға және адам денсаулығына кері әсерін тигізбеуге көмектеседі.

Сақтау

- 1 Құралды сақтамастан бұрын су ыдысын босатыңыз (24-сурет).
- 2 Құралды сақтап қояр алдында, оның барлық бөліктерінің таза және құрғақ екенін тексеріңіз. («Тазалау және техникалық қызмет көрсету» тарауын қараңыз).
- 3 Құралды зақымдамау үшін пышақты құмыра ішінде сақтаңыз.
- 4 Бактериялық өсімді болдырмау үшін қақпақты құмыраға орналастырмаңыз және толтыру саңылауының қақпағын ашық қалдырмаңыз.

Кепілдік және қолдау

Егер сізге ақпарат немесе қолдау қажет болса, www.philips.com/support сайтына кіріңіз немесе бөлек дүниежүзілік кепілдік парақшасын оқыңыз.

Техникалық ерекшеліктер

- Кернеу/ватт: құрал астындағы түр тақтайшасын қараңыз.
- Су ыдысының ең жоғарғы сыйымдылығы: 200 мл.
- Құмыраның ең жоғарғы сыйымдылығы, сұйықтық: 450 мл.
- Қорғаныс: температура басқарылатын қыздыру жүйесі және қауіпсіздік құлпы

Ақаулықтарды шешу

Бұл тарауда құралда ең жиі кездесетін мәселелер жинақталған. Төмендегі ақпараттың көмегімен мәселені шеше алмасаңыз, жиі қойылатын сұрақтар тізімін көру үшін www.philips.com/support тарабына кіріңіз немесе еліңіздегі Тұтынушыларды қолдау орталығына хабарласыңыз.

Ақаулық	Мүмкін себептер	Шешімі
Құрал жұмыс жасамайды.	Құрал қауіпсіздік құлпымен жабықталған. Егер бөлшектер мотор бөлігіне дұрыс орнатылмаған болса, құрал жұмыс істемейді.	Барлық бөлшектерді дұрыстап құрастырыңыз. «Құралды пайдалану» тарауын қараңыз.
Булау шамы жанбайды.	Құрал розеткаға жалғанбаған. Құмыра мотор бөлігіне дұрыс салынбайды.	Штепсельдік ұшты қабырға розеткасына қосыңыз. Құмыраны мотор бөлігіне дұрыс салыңыз.
	Біреуі аяқталғаннан кейін екінші булау процесін бастауға болады.	Құралды өшіріп, екінші булау процесін бастау алдында бірнеше минут суытыңыз.
Ингредиенттер толығымен қыздырылмайды.	Құмырадағы бөліктер тым үлкен, құмырада тағам тым көп немесе тағам жеткілікті уақыт буланбаған.	Тағамды кішкентай бөліктерге (2-3 см) кесіп, құмырадағы тағам мөлшерін азайтыңыз немесе ұзақ булау уақытын (ең көбі 20 минут) таңданыз. Буланатын ингредиенттерге дұрыс булау уақыты және дайындау керек рецептті таңдалғанын тексеру үшін рецепт буклетін және «Ингредиенттер және булау уақыты» тарауындағы кестені тексеріңіз.
Құралдан бу шықпайды.	Құралға су құймағансыз. Құмыраны мотор бөлігіне дұрыс күймен қоймаңыз.	Құралды өшіріп, судың дұрыс мөлшерін құралға құймаңыз. Құмыраны құралға дұрыс күймен салыңыз («Құралды пайдалану» тарауындағы «Булау» бөлімін қараңыз).
Булау ұзақ уақыт алады немесе бу функциясы толығымен жұмыс істемейді.	Су ыдысындағы қақ мөлшері тым көп.	Су ыдысы қағын тазалаңыз. «Тазалау және техникалық қызмет көрсету» тарауын, «Қақты кетіру» бөлімін қараңыз.
Толтыру саңылауынан бу шығады.	Толтыру саңылауының қақпағы дұрыстап жабылмаған.	Толтыру саңылауы қақпағын дұрыстап жабыңыз («сырт»).

Ақаулық	Мүмкін себептер	Шешімі
	Мотор бөлігіндегі бу шығысы тағаммен немесе қақпен құлыпталады.	Бекітпеге зақым келтірмей үшкір нысанды бу шығысын тазалап, болашақта қақты кетіру нұсқауларын орындаңыз. «Тазалау және техникалық қызмет көрсету» тарауын, «Қақты кетіру» бөлімін қараңыз.
	Қақпақтағы бу саңылауы құлыпталады.	Клапанды алып, қақпақтағы бу саңылауын дұрыстап тазалаңыз.
Булау процесі аяқталғаннан кейін булау шамы жанады. Шамалы уақыттан кейін құралдан қайта сигнал шығады.	Құралды өшірүсіз құмыраны негізге 10 минуттан аса кездейсоқ қалдырыңыз.	Булау процесі аяқталғаннан кейін құралды 10 минут өшіріп, тағамды араластырып, құмырадан алыңыз.
Пышақтар немесе мотор бөлігі айналмай тұрып қалды.	Құмыра ішіндегі тағам мөлшері тым көп.	Құралды өшіріп, кішкентай мөлшерін өңдеңіз. Жасыл пышақ бөлігінің үстіңгі шетінен асыра толтырмаңыз.
Алғашқы бірнеше рет қолданған кезде мотордан жаман иіс шығады.	Бұл әдеттегі нәрсе.	Егер бірнеше рет қолданғаннан кейін де иіс кетпесе, дайындап жатқан тағамдар көлемі мен дайындау уақытының дұрыс қойылғанын тексеріңіз. «Ингредиенттер және булау уақыты» тарауын қараңыз.
Бірнеше рет пайдаланғаннан кейін құралдан жағымсыз иіс шыға береді.	Құмыраға тым көп тағам салғансыз немесе құралмен тым көп араластырғансыз.	Кішкентай мөлшерін өңдеңіз және бір қолданғанда араластыру құралын 30 секундтан артық уақытқа қоспаңыз.
Құрал қатты қызады, одан қатты шу, түтін, жағымсыз иіс және т.б. шығады.	Құмыра ішіндегі тағам мөлшері тым көп.	Электр құралын өшіріңіз және өнімнің аз көлемін дайындаңыз.
	Сіз құралды үздіксіз тым ұзақ уақыт бойы қосып қойған боларсыз.	Бір қолданғанда араластыру құралын 30 секундтан артық уақытқа қоспаңыз.
Құмыра қақпағынан тамақ ағып жатыр.	Құмыраға қақпақ дұрыс монтаждалмаған.	Құмыраға қақпақты дұрыстап бекітіңіз. «Құралды пайдалану» тарауын қараңыз.

Ақаулық	Мүмкін себептер	Шешімі
	Құмыра ішіндегі тағам мөлшері тым көп.	Электр құралын өшіріңіз және өнімнің аз көлемін дайындаңыз.
Толтыру саңылауында және құмырада, торда және қақпақта ақ дақтар бар.	Осы бөлшектерде қақ түзілген.	Бұл — қалыпты жағдай. Қақты жүйелі түрде кетіріңіз. «Тазалау және техникалық қызмет көрсету» тарауын, «Қақты кетіру» бөлімін қараңыз.
Құралмен араластыру кезінде тым көп шу шығады.	Құмыра қақпағына тор тіркелмеген.	Құмыра қақпағына тор тіркелмегенін тексеріңіз.
Су ыдысы сыртына құйған кезде немесе булау кезінде құмыраға енген кезде су ыдысындағы су қалыпсыз түске ие болады немесе су ыдысындағы су жағымсыз иіске ие болады.	Пайдалану кезінде тағам бөлшектері су ыдысына енді.	«Тазалау және техникалық қызмет көрсету» тарауындағы, «Су ыдысын тазалау» бөліміндегі нұсқауларға сәйкес су ыдысын тазалаңыз. Нұсқауларға сәйкес құралды дұрыс пайдаланыңыз. Су ыдысын сумен (ең көбі 200 мл) артық толтырылмағанын және тағаммен құмыраны артық толтырылмағанын тексеріңіз (жасыл пышақ бөлігінің үстіңгі шетінен асыра толтырмаңыз). Бірдей ингредиенттерді 20 минуттан аса буламаңыз және булау суын тікелей құмыраға құймаңыз. Сонымен қатар, клапан қақпаққа бекітілгенін тексеріңіз.
Су ыдысынан гриль немесе күйген тағам иісі шығады	Пайдалану барысында тағам бөліктері су ыдысына енген және қыздыру элементінде күйген.	«Тазалау және техникалық қызмет көрсету» тарауындағы, «Су ыдысын тазалау» бөліміндегі нұсқауларға сәйкес су ыдысын тазалаңыз. Нұсқауларға сәйкес құралды дұрыс пайдаланыңыз. Су ыдысын сумен (ең көбі 200 мл) артық толтырылмағанын және тағаммен құмыраны артық толтырылмағанын тексеріңіз (жасыл пышақ бөлігінің үстіңгі шетінен асыра толтырмаңыз). Бірдей ингредиенттерді 20 минуттан аса буламаңыз және булау суын тікелей құмыраға құймаңыз. Сонымен қатар, клапан қақпаққа бекітілгенін тексеріңіз.

Ақаулық	Мүмкін себептер	Шешімі
Сәби тағамында кара дақтар бар немесе құмырадағы су қалыпсыз түске ие.	Пайдалану барысында тағам бөліктері су ыдысына енген және қыздыру элементінде күйген. Бұл булау барысында осы тағам бөліктері қалдықтарының құмыраға енуіне себеп болады.	«Тазалау және техникалық қызмет көрсету» тарауындағы, «Су ыдысын тазалау» бөліміндегі нұсқауларға сәйкес су ыдысын тазалаңыз. Нұсқауларға сәйкес құралды дұрыс пайдаланыңыз. Су ыдысын сумен (ең көбі 200 мл) артық толтырылмағанын және тағаммен құмыраны артық толтырылмағанын тексеріңіз (жасыл пышақ бөлігінің үстіңгі шетінен асыра толтырмаңыз). Бірдей ингредиенттерді 20 минуттан аса буламаңыз және булау суын тікелей құмыраға құймаңыз. Сонымен қатар, клапан қақпаққа бекітілгенін тексеріңіз.

Бала тағамын булағыш-блендер

Өндіруші: "Филипс Консьюмер Лайфстайл Б.В.", Туссендиепен 4, 9206 АД, Драхтен, Нидерланды

Ресей және Кедендік Одақ территориясына импорттаушы: "ФИЛИПС" ЖШҚ, Ресей Федерациясы, 123022 Мәскеу қаласы, Сергей Макеев көшесі, 13-үй, тел. +7 495 961-1111

SCF870: 220-240 В; 50/60 Гц; 400 Вт

Тұрмыстық қажеттіліктерге арналған

المشكلة	السبب المحتمل	الحل
توجد رائحة طعام مشوي أو محروق منبعثة من خزان الماء.	لقد دخلت أجزاء الطعام في خزان الماء خلال الاستعمال وتراكمت على عنصر التسخين.	نظّف خزان الماء وفق التعليمات الواردة في فصل "التنظيف والصيانة"، قسم "تنظيف خزان الماء". احرص على استخدام الجهاز وفق التعليمات تمامًا. تأكد من عدم تعبئة خزان الماء بشكل زائد بالماء (٢٠٠ مل كحد أقصى) ومن عدم تعبئة الوعاء بشكل زائد بالطعام (لا تقم بملء الوعاء إلى ما بعد الحافة العلوية لوحدة الشفرات الخضراء). لا تقم بالطهي بالبخار لنفس المكونات لأكثر من ٢٠ دقيقة ولا تضع الماء في الوعاء مباشرة عند الطهي بالبخار. وتأكد أيضًا من تثبيت الصمام في الغطاء.
توجد بقع داكنة في طعام الأطفال أو الماء الموجود بالوعاء لونه غير طبيعي.	لقد دخلت أجزاء الطعام في خزان الماء خلال الاستعمال وتراكمت على عنصر التسخين. يتسبب ذلك في دخول بقايا أجزاء الطعام هذه إلى الوعاء خلال الطهي بالبخار.	نظّف خزان الماء وفق التعليمات الواردة في فصل "التنظيف والصيانة"، قسم "تنظيف خزان الماء". احرص على استخدام الجهاز وفق التعليمات تمامًا. تأكد من عدم تعبئة خزان الماء بشكل زائد بالماء (٢٠٠ مل كحد أقصى) ومن عدم تعبئة الوعاء بشكل زائد بالطعام (لا تقم بملء الوعاء إلى ما بعد الحافة العلوية لوحدة الشفرات الخضراء). لا تقم بالطهي بالبخار لنفس المكونات لأكثر من ٢٠ دقيقة ولا تضع الماء في الوعاء مباشرة عند الطهي بالبخار. وتأكد أيضًا من تثبيت الصمام في الغطاء.

المشكلة	السبب المحتمل	الحل
تضيء لمبة الطهي بالبخار مرة أخرى بعد انتهاء عملية الطهي بالبخار. وبمرور بعض الوقت، يُطلق الجهاز صفارة أخرى.	لقد تركت الوعاء على القاعدة عن دون قصد لأكثر من ١٠ دقائق بدون إيقاف تشغيل الجهاز.	أوقف تشغيل الجهاز خلال ١٠ دقائق من انتهاء عملية الطهي بالبخار ثم اخلط الطعام أو قم بإزالته من الوعاء.
وحدة الشفرات أو وحدة الموتور عالقة.	توجد كمية كبيرة جدًا من الطعام في الوعاء.	أوقف تشغيل الجهاز وقم بتحضير كمية أصغر. لا يجب تعبئة الوعاء إلى ما بعد الحافة العلوية لوحدة الشفرات الخضراء.
تنبعث رائحة كريهة من وحدة الموتور في المرات القليلة الأولى من استخدام الجهاز.	هذا أمر طبيعي.	إذا استمر الجهاز في إصدار هذه الرائحة بعد الاستخدام لعدة مرات، تحقق من صحة الكميات التي تقوم بتحضيرها وأوقات التحضير. انظر فصل "المكونات وأوقات الطهي بالبخار".
يستمر انبعاث رائحة كريهة من الجهاز بعد الاستخدام لعدة مرات.	لقد وضعت كمية كبيرة جدًا من الطعام في الوعاء أو أنك تترك الجهاز يقوم بالخلط لفترة طويلة.	قم بتحضير كميات أقل ولا تترك الجهاز يقوم بالخلط لأكثر من ٣٠ ثانية في المرة الواحدة.
يُصدر الجهاز الكثير من الضجيج، وتنبعث منه رائحة كريهة، وأشعر بالسخونة عند لمسه، وينبعث منه الدخان... إلخ	توجد كمية كبيرة جدًا من الطعام في الوعاء.	أوقف تشغيل الجهاز وقم بتحضير كمية أصغر.
يوجد تسرب في غطاء الوعاء.	لم تقم بتركيب الغطاء بالشكل الملائم على الوعاء.	لا تدع الجهاز يقوم بالخلط لأكثر من ٣٠ ثانية في المرة الواحدة. ركب الغطاء بالشكل الملائم على الوعاء. راجع فصل "استخدام الجهاز".
توجد بقع بيضاء على فتحة التعبئة و/أو على الوعاء والمصفاة والغطاء.	توجد كمية كبيرة جدًا من الطعام في الوعاء.	أوقف تشغيل الجهاز وقم بتحضير كمية أصغر.
يصدر الجهاز الكثير من الضجيج أثناء الخلط.	يتراكم الكلس على هذه الأجزاء.	هذا أمر طبيعي. احرص على تنظيف الكلس بانتظام. انظر فصل "التنظيف والصيانة"، قسم "تنظيف الكلس".
الماء الموجود في خزان الماء يكون لونه غير طبيعي عند صبه من خزان الماء أو عندما يدخل إلى الوعاء خلال الطهي بالبخار، أو الماء الموجود بخزان الماء رائحته كريهة.	لم تتركب المصفاة بغطاء الوعاء.	تأكد من تركيب المصفاة بغطاء الوعاء.
لقد دخلت أجزاء الطعام إلى خزان الماء خلال الاستعمال.	نظف خزان الماء وفق التعليمات الواردة في فصل "التنظيف والصيانة"، قسم "تنظيف خزان الماء". احرص على استخدام الجهاز وفق التعليمات تمامًا. تأكد من عدم تعبئة خزان الماء بشكل زائد بالماء (٣٠٠ مل كحد أقصى) ومن عدم تعبئة الوعاء بشكل زائد بالطعام (لا تقم بملء الوعاء إلى ما بعد الحافة العلوية لوحدة الشفرات الخضراء). لا تقم بالطهي بالبخار لنفس المكونات لأكثر من ٢٠ دقيقة ولا تضع الماء في الوعاء مباشرة عند الطهي بالبخار. وتأكد أيضًا من تثبيت الصمام في الغطاء.	

- السعة القصوى لخزان الماء: ٢٠٠ مل
- السعة القصوى للوعاء، السوائل: ٤٥٠ مل
- الحماية: نظام تسخين يتم التحكم فيه عن طريق درجة الحرارة وقفل للأمان.

استكشاف الأعطال وإصلاحها

يلخص هذا الفصل المشكلات العامة التي يمكن أن تواجهك مع استخدام الجهاز. وإذا لم تتمكن من حل المشكلة باستخدام المعلومات الواردة أدناه، يُرجى زيارة www.philips.com/support للحصول على قائمة بالأئلة الشائعة أو اتصل بمركز رعاية المستهلك في بلدك.

المشكلة	السبب المحتمل	الحل
الجهاز لا يعمل.	هذا الجهاز مزود بقفل أمان. ولن يعمل الجهاز إذا لم يتم تركيب الأجزاء بالشكل الملائم على وحدة الموتور.	رُكِّب جميع الأجزاء بالشكل الملائم. راجع فصل "استخدام الجهاز".
لا تضيء لمبة الطهي بالبخار.	الجهاز غير موصل بالتيار الكهربائي.	أدخل القابس في مقبس الحائط.
	لوعاء غير مرَّكَّب بشكل سليم على وحدة الموتور.	اركِّب الوعاء بالشكل الملائم على وحدة الموتور.
	تريد البدء في عملية ثانية للطهي بالبخار بعد انتهاء العملية السابقة مباشرة.	أوقف تشغيل الجهاز واتركه يبرد لبضع دقائق قبل البدء في العملية الثانية للطهي بالبخار.
المكونات لم يتم تسخينها بالكامل.	القطع الموجودة في الوعاء كبيرة جدًا أو يوجد الكثير من الطعام في الوعاء أو أنك لم تقم بطهي الطعام بالبخار لفترة كافية.	قَطِّع الطعام إلى قطع صغيرة (٢ إلى ٣ سم) أو قم بتقليل كمية الطعام الموجود في الوعاء أو حدد وقتًا أطول للطهي بالبخار (٢٠ دقيقة كحد أقصى). ارجع إلى كتيب الوصفات و/أو الجدول الموضح في قسم "المكونات وأوقات الطهي بالبخار" للتأكد من اختيار الوقت الصحيح للطهي بالبخار بالنسبة للمكونات التي تريد طهيها بالبخار أو الوصفة التي ترغب في تحضيرها.
الجهاز لا يقوم بإصدار البخار.	لم تضع الماء في الجهاز.	أوقف تشغيل الجهاز وضع الكمية المناسبة من الماء في الجهاز.
	لم تضع الوعاء على وحدة الموتور بالشكل الصحيح.	ضع الوعاء على الجهاز بالشكل الملائم (انظر قسم "الطهي بالبخار" في فصل "استخدام الجهاز").
يستغرق الطهي بالبخار وقتًا طويلًا جدًا أو أن وظيفة الطهي بالبخار لا تعمل على الإطلاق.	توجد كمية كبيرة جدا من الكلس المتركم في خزان الماء.	نظف خزان الماء من الترسبات المتركمة. انظر فصل "التنظيف والصيانة"، قسم "تنظيف الكلس".
يخرج البخار من فتحة التعبئة.	غطاء فتحة التعبئة لم يتم إغلاقه بإحكام.	أغلق غطاء فتحة التعبئة جيدًا ("نقرة").
	منفذ خروج البخار الموجود بوحدة الموتور مسدود بالطعام أو الكلس.	نظف فتحة خروج البخار باستخدام أداة مديبة مع الحرص على عدم إتلاف مانع التسرب واتباع تعليمات تنظيف الكلس في المستقبل. انظر فصل "التنظيف والصيانة"، قسم "تنظيف الكلس".
	فتحة البخار الخاصة بالغطاء مسدودة.	قم بفك الصمام ونظِّف فتحة البخار الخاصة بالغطاء بالشكل الملائم.

- ٩ تحقق من دخول أي أجزاء للطعام في خزان الماء. يمكنك القيام بذلك بالنظر في فتحة التعبئة للتحقق من وجود أي أجزاء طعام بداخله أو بالتحقق مما إذا كان لون الماء غير طبيعي وعن طريق الشم إذا كان خزان الماء تنبعث منه رائحة كريهة أو رائحة احتراق. وفي حالة حدوث ذلك، نظف خزان الماء (انظر فصل "تنظيف خزان الماء" في هذا الفصل).
- ١٠ اترك غطاء فتحة التعبئة مفتوحًا لمنع نمو البكتيريا.

تنظيف خزان الماء من الكلس

في حالة دخول أجزاء الطعام في خزان الماء، يمكن أن تلتصق بعنصر التسخين في خزان الماء خلال العمليات التالية للطهي بالبخار. وهذه الأجزاء لا يمكن إزالتها بشطف خزان الماء فحسب. وبالإضافة إلى ذلك، يجب عليك تنظيف الكلس من الجهاز كل أربعة أسابيع لضمان استمراره في العمل بكفاءة ١٠٠٪. وللتقليل من تراكم الكلس، من المفيد أن تستخدم ماءً مغليًا مسبقًا أو مرشحًا في الجهاز. لإزالة أجزاء الطعام المتراكمة داخل خزان الماء ولتنظيف الجهاز من الكلس، اتبع تعليمات تنظيف الكلس أدناه.

- ١ تأكد من إيقاف تشغيل الجهاز.
- ٢ أضف ٥٠ مل خل أبيض (٨٪ حمض الخليك) إلى ١٥٠ مل ماء.
- ملاحظة: يمكنك أيضًا استخدام مزبل ترسبات به حمض الستريك. لا تستخدم أي أنواع أخرى من مزيلات الترسبات.
- ٣ قم بملء خزان الماء بمحلول الخل (أو حمض الستريك) والماء.
- ٤ أغلق غطاء فتحة التعبئة.
- ٥ ضع الوعاء الفارغ (بدون وجود أي طعام بداخله) مجمعًا بالكامل مع وحدة الشفرات والغطاء على وحدة الموتور في وضع الطهي بالبخار (حيث يشير الغطاء إلى الأسفل على سبيل المثال).
- ٦ أدر مفتاح التحكم على وضع الطهي بالبخار.
- تضيء لمبة الطهي بالبخار باللون البرتقالي للإشارة إلى أنه جاري الطهي بالبخار في الجهاز.
- ٧ أوقف تشغيل الجهاز بعد ٥ إلى ٦ دقائق من الطهي بالبخار وافصله عن التيار الكهربائي.
- ٨ قم بتفريغ خزان المياه من محلول الخل الأبيض المستخدم (٨٪ من حمض الخليك) والماء. (الشكل ٢٤).
- ٩ اشطف خزان الماء والوعاء جيدًا بالماء النقي لعدة مرات.
- ١٠ قم بملء الخزان بمقدار ٢٠٠ مل ماء ودع الجهاز يكمل عملية واحدة للطهي لمدة ٢٠ دقيقة بحيث يكون الوعاء فارغًا قبل استخدام الجهاز مع الطعام مرة أخرى.
- ١١ اترك غطاء فتحة التعبئة مفتوحًا لمنع نمو البكتيريا.

إعادة التدوير

لا تتخلص من الجهاز مع النفايات المنزلية العادية عند نهاية فترة استخدامه، ولكن قم بتسليمه إلى نقطة تجميع رسمية لإعادة تدويره. فأنت تساعد من خلال القيام بهذا الإجراء في الحفاظ على البيئة.

التخزين

- ١ قم بتفريغ خزان الماء قبل تخزين الجهاز (شكل ٢٤).
- ٢ تأكد من نظافة جميع الأجزاء وجفافها قبل تخزين الجهاز (انظر فصل "التنظيف والصيانة").
- ٣ خزّن الجهاز مع وضع وحدة الشفرات في الوعاء لتجنب التلف.
- ٤ لا تضع الغطاء على الوعاء وارك غطاء فتحة التعبئة مفتوحًا لتجنب نمو البكتيريا.

الضمان والدعم

إذا كنت بحاجة إلى معلومات أو دعم، يرجى زيارة www.philips.com/support أو الاطلاع على كتيب الضمان العالمي المنفصل.

المواصفات الفنية

- انظر صفحة الطراز الموجودة في الجزء السفلي من الجهاز.

نوع الطعام	المكونات	الوقت التقريبي للطهي بالبخار*
	بصل	١٥ دقيقة
	بازلاء	٢٠ دقيقة
	فلفل	١٥ دقيقة
	بطاطس	٢٠ دقيقة
	يقطين	١٥ دقيقة
	سبانخ	١٥ دقيقة
	لفت	١٥ دقيقة
	بطاطا حلوة	١٥ دقيقة
	طماطم	١٥ دقيقة
اللحوم	الفراخ واللحم البقري ولحم الضأن... إلخ	٢٠ دقيقة
السّمك	سمك السلمون وسمك موسى وسمك القد وسمك السلمون المرقط... إلخ	١٥ دقيقة

* يجب تقطيع كل المأكولات إلى مكعبات صغيرة، لا تزيد عن ٢ إلى ٢ سم.

ملاحظة: كأس المعاييرة مدرج بالمليمترات ويوضح وقت الطهي بالبخار المناظر بالدقائق (٥٠ مل = ٥ دقائق، ١٠٠ مل = ١٠ دقائق، ١٥٠ مل = ١٥ دقيقة، ٢٠٠ مل = ٢٠ دقيقة).

التنظيف والصيانة

نظف الجهاز بعد كل استخدام.

لا تغمر وحدة الموتور في الماء مطلقًا.

لا تستخدم محاليل/أقراص التبييض أو التعقيم الكيميائي في الجهاز.

لا تستخدم أدوات الفك أو مواد التنظيف الكاشطة أو أي سوائل مثل البنزين أو الأسيتون أو الكحول في تنظيف الجهاز.

١ افصل الكهرباء عن الجهاز وانزع الوعاء من وحدة الموتور (شكل ١٩).

٢ أزل الغطاء من الوعاء واقبل الغطاء رأسًا على عقب (شكل ٢٠).

٣ أخرج المصفاة والصمام من الغطاء (شكل ٢١).

٤ نظّف الصمام في الماء الساخن مع بعض من سائل التنظيف ثم اشطفه تحت ماء الصنبور الجاري.

٥ فك وحدة الشفرات من الوعاء (شكل ٢٢).

٦ نظّف وحدة الشفرات تحت الصنبور جيّدًا، وبعد الاستخدام مباشرة. تأكد أيضًا من شطف الجزء الداخلي من الأنبوب الخاص بوحدة الشفرات (شكل ٢٣).

تعامل مع وحدة الشفرات بحرص شديد. حواف التقطيع حادة للغاية.

ملاحظة: إذا كنت ترغب في تنظيف وحدة الشفرات بعناية أكبر، يمكنك أيضًا وضعها في غسالة الأطباق بعد الشطف.

٧ نظّف الأجزاء الأخرى التي لامست الطعام في الماء الساخن باستخدام بعض من سائل التنظيف بعد الاستخدام مباشرة.

ملاحظة: جميع الأجزاء قابلة للتنظيف في غسالة الأطباق أيضًا، باستثناء وحدة الموتور.

٨ وعند الضرورة، نظّف وحدة الموتور باستخدام قطعة قماش مبللة.

٦ ضع الغطاء على الوعاء وقم بلفه في اتجاه عقارب الساعة لتثبيته. يجب أن تنزلق النتوءات الصغيرة الموجودة في الغطاء في الفتحات الطولية الموجودة بالوعاء. تأكد من إرساء النتوء الكبير للغطاء بدقة على مقبض الوعاء (شكل ٩).

٧ ضع الوعاء في وضع عمودي على وحدة الموتور، بحيث يكون الغطاء لأعلى. تأكد من أن المقبض على الجانب الأيمن وبين نتوئي منطقة القفل (شكل ١٦).

٨ أدر مفتاح التحكم على وضع الخلط. ثبت المفتاح في هذا الوضع لأطول فترة تحتاجها لكن بما لا يزيد عن ٣٠ ثانية (شكل ١٧).

ملاحظة: في حالة التصاق المكونات بجوانب الوعاء، قم بإيقاف تشغيل الجهاز وأزلها باستخدام الملعقة أو بإضافة بعض السائل. لا تتخطى مؤشر مستوى الحد الأقصى المبين على الوعاء.

ملاحظة: تأكد من أن طعام الأطفال المخلوط بالقوام الصحيح (لا توجد به قطع كبيرة على سبيل المثال) قبل تقديمه.

ملاحظة: إذا ظل طعام الأطفال صلبًا جدًا، أضف بعض السائل (مثل الماء) حتى يصبح ليّنًا وسلّسًا.

لا تتخطى مؤشر مستوى الحد الأقصى المبين على الوعاء.

ملاحظة: لا تقم بطهي طعام الأطفال بالبخار بعد خلطه.

لا تدع الجهاز يقوم بالخلط لأكثر من ٣٠ ثانية في المرة الواحدة. وإذا لم تنته من الخلط بعد ٣٠ ثانية، أوقف تشغيل الجهاز وانتظر لبضع ثواني قبل المتابعة. وأيضا في حالة سخونة وحدة الموتور، اتركه يبرد لبضع دقائق قبل المتابعة.

٩ بعد الانتهاء من الخلط، فقط قم بتحرير مفتاح التحكم (شكل ١٨).

يعود المفتاح إلى وضع إيقاف التشغيل تلقائيًا.

١٠ قم بإزالة الطعام المخلوط من الوعاء. استخدم الملعقة المرفقة عند الضرورة.

تأكد من أن طعام الأطفال ليس ساخنًا على طفلك.

١١ افصل الجهاز عن التيار الكهربائي.

المكونات وأوقات الطهي بالبخار

نوع الطعام	المكونات	الوقت التقريبي للطهي بالبخار*
الفاكهة	تفا	٥ دقائق
	برتقال	١٠ دقائق
	خوخ	١٠ دقائق
	كمثرى	٥ دقائق
	أناناس	١٥ دقائق
الخضروات	برقوق	١٠ دقائق
	هليون	١٠ دقائق
	بروكولي	٢٠ دقائق
	جزر	١٥ دقائق
	قرنبيط	١٥ دقائق
	كرفس	١٥ دقائق
	كوسا خضراء	١٥ دقيقة
	شمر	١٥ دقيقة
	حبوب فرنسية	٢٠ دقيقة
	كرات أفرنجي	١٥ دقيقة

احرص دائمًا على التأكد من أن غطاء الوعاء وغطاء خزان الماء أصبح باردًا بعد الطهي بالبخار قبل فتحهما إضافة المزيد من المكونات إلى الوعاء أو لإزالة الماء المتبقي من خزان الماء.

بعد وضع السوائل في الوعاء، لا تضع الوعاء في وضع الطهي بالبخار على الإطلاق.

3 ضع الوعاء في وضع عمودي على وحدة الموتور، بحيث يكون الغطاء لأعلى. تأكد من أن المقبض على الجانب الأيمن وبين نتوني منطقة القفل (شكل 16).

4 أدر مفتاح التحكم على وضع الخلط. ثبت المفتاح في هذا الوضع حتى يتم خلط الطعام بالشكل الملائم (شكل 17). لا تدع الجهاز يقوم بالخلط لأكثر من 30 ثانية في المرة الواحدة. وإذا لم تنته من الخلط بعد 30 ثانية، أوقف تشغيل الجهاز وانتظر ليضع نتوني قبل المتابعة. وأيضًا في حالة سخونة الجهاز، اتركه يبرد ليضع دقائق قبل المتابعة.

ملاحظة: في حالة التصاق المكونات بجوانب الوعاء، قم بإيقاف تشغيل الجهاز وأزلها باستخدام الملعقة أو بإضافة بعض السائل.

ملاحظة: تأكد من أن طعام الأطفال المخلوط بالقوام الصحيح (لا توجد به قطع كبيرة على سبيل المثال) قبل تقديمه. ملاحظة: إذا ظل طعام الأطفال صلبًا جدًا، أضف بعض السائل (مثل الماء) حتى يصبح لينًا وسلسًا.

5 وبعد الانتهاء من الخلط، فقط قم بتحرير مفتاح التحكم (شكل 18). يعود المفتاح إلى وضع إيقاف التشغيل تلقائيًا.

6 قم بإزالة الطعام المخلوط من الوعاء. استخدم الملعقة المرفقة عند الضرورة. تأكد من أن طعام الأطفال ليس ساخنًا على طفلك.

7 افصل الجهاز عن التيار الكهربائي.

8 في الظروف العادية، لن يتبقى أي ماء في خزان الماء بعد الطهي بالبخار. ومع ذلك، وفي بعض المواقف (في حالة تراكم الكلس داخل خزان الماء أو مقاطعة عملية الطهي بالبخار أو الاستخدام في غير الأغراض المخصصة على سبيل المثال)، يمكن أن يتبقى بعض الماء في خزان الماء. وفي هذه الحالة، قم بتفريغ خزان الماء تمامًا بعد الاستخدام لتجنب نمو البكتيريا. ولتنظيف خزان الماء من الكلس، انظر فصل "التنظيف والصيانة".

الخلط بدون طهي بالبخار

الجهاز مصمم للاستخدام في هذه الأغراض:

- هرس المكونات المطهية بالبخار لتحضير طعام الأطفال
- خلط السوائل والفواكه للحصول على مشروبات للأطفال

الجهاز غير مُخصص لهرس المكونات الصلبة مثل مكعبات الثلج ومكعبات السكر.

بعد وضع السوائل في الوعاء، لا تضع الوعاء في وضع الطهي بالبخار على الإطلاق.

ملاحظة: عند خلط السوائل، تأكد من عدم تعبئة الوعاء إلى ما بعد مستوى الحد الأقصى في الوعاء. ملاحظة: لا تقم بطهي طعام الأطفال بالبخار بعد خلطه.

1 ركب وحدة الشفرات على حامل وحدة الشفرات في الوعاء (شكل 5).

2 قطع المكونات الصلبة إلى قطع صغيرة (مكعبات لا يزيد حجمها عن 2 إلى 3 سم) قبل وضعها في الوعاء.

نصيحة: لا تقم بتحضير كميات كبيرة من المكونات الجامدة في المرة الواحدة. بدلًا من ذلك، قم بتحضير هذه المكونات على دفعات صغيرة.

3 ضع المكونات في الوعاء. (شكل 6)

ملاحظة: لا تتخط الحافة العلوية من وحدة الشفرات الخضراء.

4 ضع الصمام على الغطاء (شكل 7).

ملاحظة: تأكد من تثبيت الصمام بإحكام.

5 ضع المصفاة في غطاء الوعاء ("نقرة") (شكل 8).

ملاحظة: لا تقم بطهي المكونات المجمدة بالبخار لأن الجهاز لا يمكنه تسخين الأطعمة المجمدة إلى درجة الحرارة المطلوبة للطهي بالبخار. احرص دائمًا على إزابة الثلج من المكونات الصلبة المجمدة قبل طهيها بالبخار في هذا الجهاز. تخلص من الماء الزائد من المكونات المذاب الثلج منها قبل وضعها في الوعاء.

١ ركب وحدة الشفرات على حامل وحدة الشفرات في الوعاء (شكل ٥).

٢ قطع المكونات الصلبة إلى قطع صغيرة (مكعبات لا يزيد حجمها عن ٢ إلى ٣ سم) قبل وضعها في الوعاء.

ملاحظة: لا تقم بتحضير كميات كبيرة من المكونات الجامدة في المرة الواحدة. بدلاً من ذلك، قم بتحضير هذه المكونات على دفعات صغيرة.

٣ ضع المكونات في الوعاء (شكل ٦).

ملاحظة: لا تتخط الحافة العلوية من وحدة الشفرات الخضراء.

ملاحظة: لا تضع الماء أو أي سائل آخر في الوعاء عند الطهي بالبخار، حتى لا يتلف الجهاز.

٤ ضع الصمام على الغطاء (شكل ٧).

ملاحظة: تأكد من تثبيت الصمام بإحكام.

٥ ضع المصفاة في غطاء الوعاء ("نقرة") (شكل ٨).

٦ ضع الغطاء على الوعاء وقم بلفه في اتجاه عقارب الساعة لتثبيته. يجب أن تنزلق النتوءات الصغيرة الموجودة في الغطاء في الفتحات الطويلة الموجودة بالوعاء. تأكد من إرساء النتوء الكبير للغطاء بدقة على مقبض الوعاء (شكل ٩).

٧ ضع الوعاء في وضع مقلوب على وحدة الموتور، أي يكون الغطاء مواجهًا لأسفل. تأكد من أن المقبض على الجانب الأيمن وأنه مركب بشكل سليم (شكل ١٠).

ملاحظة: الجهاز لا يبدأ في الطهي بالبخار إذا لم يكن الوعاء والمقبض في الوضع الصحيح.

٨ أدر مفتاح التحكم على وضع الطهي بالبخار.

تضيء لمبة الطهي بالبخار باللون البرتقالي للإشارة إلى أنه جاري الطهي بالبخار في الجهاز (شكل ١١).

-يمكن أن يتسبب البخار الساخن أو الماء الساخن في حرق أصابعك. لا تلمس الأجزاء الساخنة والبخار ولا تسمح للأطفال بالقيام بذلك أيضًا، حيث قد يسبب ذلك الحروق (شكل ١٢).

يتوقف الوقت المطلوب للطهي بالبخار على كمية الماء التي وضعتها في خزان الماء. انظر الجدول في فصل "المكونات وأوقات الطهي بالبخار" وكتيب الوصفات.

عند انتهاء عملية الطهي بالبخار، تسمع صوت جرس من الجهاز وتنطفئ لمبة الطهي بالبخار.

٩ اضبط مفتاح التحكم على وضع إيقاف التشغيل "OFF". انتظر دقيقتين حتى يتوقف خروج البخار من منفذ خروج البخار، وذلك لتجنب الحروق التي قد يسببها البخار الساخن. (شكل ١٣)

ملاحظة: إذا كنت ترغب في طهي دفعة جديدة من المكونات بالبخار، اترك الجهاز لمدة ١٠ دقائق حتى يبرد قبل البدء في الطهي بالبخار مرة أخرى.

١٠ وإذا كنت ترغب في متابعة خلط الطعام المطهي بالبخار، اتبع التعليمات الموضحة في قسم "الخلط بعد الطهي بالبخار" أدناه.

١١ في الظروف العادية، لن يتبقى أي ماء في خزان الماء بعد الطهي بالبخار. ومع ذلك، وفي بعض المواقف (في حالة تراكم الكلس داخل خزان الماء أو مقاطعة عملية الطهي بالبخار أو الاستخدام في غير الأغراض المخصصة على سبيل المثال)، يمكن أن يتبقى بعض الماء في خزان الماء. وفي هذه الحالة، قم بتفريغ خزان الماء تمامًا بعد الاستخدام لتجنب نمو البكتيريا. ولتنظيف خزان الماء من الكلس، انظر فصل "التنظيف والصيانة".

الخلط بعد الطهي بالبخار

١ امسك بمقبض الوعاء وارفع الوعاء من على وحدة الموتور. قم بتدوير الوعاء وهزه حتى ينزل الطعام على وحدة الشفرات (شكل ١٤).

لا تلمس سوى مقبض الوعاء. عادة ما يكون الغطاء والجزء السفلي والسطح الخارجي للوعاء ساخنة (شكل ١٥).

٢ عند الضرورة، انزع الغطاء وأضف مكونات إضافية للخلط (مثل الماء أو الزيت).

المجال الكهرومغناطيسي (EMF)

يتطابق هذا الجهاز من شركة Philips مع جميع المعايير والقوانين السارية فيما يتعلق بالتعرض للمجالات الكهرومغناطيسية.

قبل الاستخدام لأول مرة

- ١ قم بإزالة جميع مواد التغليف من الجهاز.
- ٢ نظّف جميع الأجزاء باستثناء وحدة الموتور (انظر فصل "التنظيف والصيانة").

استخدام الجهاز

احرص دائماً على التحقق من درجة حرارة طعام الأطفال على ظهر يدك قبل إطعام الطفل.
احرص دائماً على التأكد من أن الغطاء أصبح بارئاً بعد الطهي بالبخار قبل إزالته لإضافة المزيد من المكونات للخلط، عند الضرورة. لا تتعدى الكمية القصوى المبينة على الوعاء.
قم بتفريغ خزان الماء قبل إعادة تعبئتها لبدء عملية جديدة للطهي بالبخار.
احرص دائماً على التأكد من عدم تغطية الحافة العلوية لوحدة الشفراء الخضراء بالطعام عند البدء في الطهي بالبخار.
لا تتخطى مستوى الحد الأقصى المبيّن على الوعاء (٤٥٠ مل) عند خلط السوائل.

هذا الجهاز مخصص لطهي المكونات الصلبة الطازجة بالبخار ثم خلطها للحصول على طعام الأطفال. انظر كتيب الوصفات للاطلاع على بعض الأمثلة. عادة ما تقوم أولاً بطهي المكونات بالبخار ثم خلطها. ومع ذلك، يمكنك أيضاً استخدام الجهاز في الطهي بالبخار أو الخلط فقط. عند استخدام الجهاز في الخلط فقط، تخطى أقسام "تعبئة خزان الماء" و"الطهي بالبخار" واتبع التعليمات الموجودة في قسم "الخلط" فقط. وبعد الخلط، لا تقم مطلقاً بطهي الطعام المخلوط بالفعل بالبخار. لا تقم مطلقاً بطهي نفس الدفعة من المكونات بالبخار لأكثر من ٢٠ دقيقة أو أكثر من مرة واحدة.
هذا الجهاز غير مخصص للاستخدام في الأغراض التالية:

- إذابة الثلج من الطعام
- طهي الطعام المجمد بالبخار
- طهي الطعام المخلوط بالفعل بالبخار
- طهي نفس المكونات بالبخار لأكثر من ٢٠ دقيقة
- طهي الأرز والمعكرونة
- خلط المكونات أولاً ثم طهيها بالبخار
- تسخين السوائل مثل الشربة أو الماء
- الحفاظ على الطعام ساخناً لعدة ساعات
- إعادة تسخين الطعام

تعبئة خزان الماء

- ١ قم بملء كأس المعايرة بالماء حتى المستوى المطلوب (شكل ٣).
كأس المعايرة مُدرج بالمليالترات ويوضح الوقت الملائم للطهي بالبخار بالدقائق. اطّلع على كتيب الوصفات المنفصل للتعرف على المقادير التي يوصى بها بالنسبة للوصفات.
ملاحظة: لا تتخطى مستوى الحد الأقصى الموضح على كأس المعايرة (٢٠٠ مل) للتأكد من عدم تعبئة خزان الماء بشكل زائد.
ملاحظة: ننصحك بعدم استخدام المياه المعدنية، حيث إن ما يحتوي عليه هذا النوع من المياه من معادن يُسبب تراكم الكلس داخل خزان الماء.
- ٢ صب الماء في فتحة التعبئة وقم بغلق الغطاء (شكل ٤).
ملاحظة: لا تقم مطلقاً بوضع أي شيء غير الماء في خزان الماء.

التي بالبخار

في حالة الطهي الخفيف بالبخار لأنواع معينة من الخضروات والفاكهة، تكون مثالية للأطفال الذين في مرحلة البدء في تناول الأطعمة الصلبة. الطهي بالبخار هو الطريقة الأكثر صحية لتحضير الطعام، حيث يحتفظ الطعام بالكثير من الفيتامينات والمواد الغذائية الصحية الأخرى.

ملاحظة: يمكنك التعرف على الوصفات وأوقات الطهي المطلوبة بالنسبة لهذه الوصفات من كتيب الوصفات المنفصل. لاحظ أن الوصفات مرتبطة بعمر الطفل.

تنبيه

- لا تُقدّم أبدًا على استخدام أية ملحقات أو أجزاء من شركات تصنيع أخرى غير التي توصي بها شركة Philips حديثًا. فإذا استخدمت مثل هذه الملحقات أو الأجزاء، فسيصبح ضمانك لاغياً.
- لا تضع الجهاز على أو بالقرب من أحد المواقد أو البوتاجازات العاملة أو التي لا تزال ساخنة.
- احرص دائمًا على فصل التيار الكهربائي عن الجهاز واتركه حتى يبرد قبل تنظيفه.
- لا تُقدّم أبدًا على استخدام الوعاء أو أي أجزاء أخرى من الجهاز في فرن الميكروويف، حيث إن الأجزاء المعدنية في مقبض الوعاء ووحدة الشفرات ليست مناسبة لمثل هذا الاستخدام.
- لا تُقدّم أبدًا على تعقيم الوعاء أو أي أجزاء أخرى من الجهاز في جهاز التعقيم أو فرن الميكروويف، حيث إن الأجزاء المعدنية في مقبض الوعاء ووحدة الشفرات ليست مناسبة لمثل هذا الاستخدام.
- هذا الجهاز مصمم للاستخدام المنزلي فقط. في حال استخدام الجهاز بشكل غير سليم أو استخدامه في أغراض مهنية أو شبه مهنية أو في حال عدم استخدامه وفقًا للإرشادات الموضحة في دليل المستخدم، عندئذ يصبح الضمان لاغياً ولن تقبل شركة Philips تحمل أية مسؤولية عن أي أضرار.
- احتسب عند صب السائل الساخن في الوعاء لأن السائل الساخن والبخار قد يخرجان ويسببان الحروق.
- دع الجهاز لمدة ١٠ دقائق حتى يبرد قبل طهي دفعة أخرى من المكونات بالبخار.
- الجهاز غير مُخصص لفرم المكونات الصلبة مثل مكعبات الثلج ومكعبات السكر.
- لا تدع الجهاز يقوم بالخلط لأكثر من ٢٠ ثانية في المرة الواحدة. وإذا لم تنته من الخلط بعد ٢٠ ثانية، أوقف تشغيل الجهاز وانتظر لبضع ثواني قبل المتابعة.
- وأيضًا في حالة سخونة الجهاز، اتركه يبرد لبضع دقائق قبل المتابعة.
- ضع الجهاز على سطح ثابت ومستو وأقصى. تأكد من وجود مساحة كافية حول الجهاز لتجنب حدوث التلف في أشياء مثل الخزائن أو الأشياء الأخرى، حيث ينعيب البخار الساخن من الجهاز خلال الاستخدام.
- لا تستخدم الجهاز في حالة سقوطه أو تلفه بأي شكل من الأشكال. توجه بالجهاز إلى أحد مراكز الخدمة المعتمدة من Philips لإصلاحه.
- لا تضع أبدًا الماء أو السوائل الأخرى أو الطعام الممزوج في الوعاء الخاص بالطهي بالبخار لتجنب الإضرار بالجهاز.
- لا تستخدم وظيفة الطهي بالبخار بدون ماء.
- تأكد من عدم تعبئة خزان الماء بشكل زائد (٢٠٠ مل كحد أقصى). لا تتخطى مستوى الحد الأقصى المبيّن على كأس المعايرة.
- عند طهي المكونات بالبخار، تأكد من عدم تعبئة الوعاء بشكل زائد. تأكد من أن الحافة العلوية لوحدة الشفرات الخضراء غير مغطاة بالطعام (شكل ٢).
- عند خلط السوائل، لا تتخطى مستوى الحد الأقصى المبيّن على الوعاء (٤٥٠ مل).
- لا تقم بإدخال أي أجسام في فتحة التعبئة أو منفذ خروج البخار.
- لا تقم أبدًا بإعادة تعبئة خزان الماء خلال عملية الطهي بالبخار، حيث يمكن أن يخرج الماء الساخن والبخار الساخن من الجهاز نتيجة لذلك.
- احرص دائمًا على التأكد من أن الغطاء أصبح باردًا بعد الطهي بالبخار قبل فتحه لإضافة المزيد من المكونات للخلط، عند الضرورة.
- لا توصل الجهاز بمفتاح تحويل خارجي مثل المؤقت ولا توصله بدائرة كهربائية يتم تشغيلها وإيقاف تشغيلها بشكل منتظم عن طريق المرفق. يساعد ذلك على منع وقوع الخطر الذي يمكن أن ينتج عن إعادة الضبط غير المقصود لعنصر الفصل الحراري.
- احرص دائمًا على التحقق من درجة حرارة طعام الأطفال على ظهر يدك قبل إعطائهم الطعام.
- احرص دائمًا على التحقق من قوام طعام الأطفال. تأكد من عدم وجود قطع كبيرة في الطعام.
- عند انتهاء عملية الطهي بالبخار (٢٠ دقيقة كحد أقصى)، لا تقم بطهي طعام الأطفال بالبخار أو تسخينه مرة أخرى.
- فقط استخدم الملعقة المزودة لإخراج الطعام من الوعاء.
- تُساعد الإزالة المنتظمة للكلس على تجنب تلف الجهاز.
- أوقف تشغيل الجهاز وافصله عن مصدر التزويد بالطاقة قبل تغيير الملحقات أو الإمساك بالقطع التي تتحرك أثناء الاستخدام.
- توخّ الحذر عند التعامل مع الشفرات الحادة أثناء إفراغ الدورق وأثناء التنظيف.
- افصل الجهاز دائمًا عن مصدر التزويد بالطاقة في حال تركه بدون مراقبة.
- يجب ألا يقوم الأطفال بتنظيف الجهاز أو صيانته.

نظام الأمان

هذا الجهاز مزود بقفل أمان مضمن. لا يعمل الجهاز إلا بعد تجميع كل الأجزاء بالشكل الملائم على وحدة الموتور. في حالة تجميع كل الأجزاء بالشكل الصحيح، سيتم تحرير قفل الأمان الداخلي.

والجهاز مزود أيضًا بميزة الحماية من السخونة الزائدة. يمكن أن تحدث السخونة الزائدة إذا كانت الفترة بين كل عمليتين للطهي بالبخار قصيرة جدًا أو في حالة استخدام وظيفة الخلط لفترة طويلة جدًا أو في حالة وجود كمية زائدة من المكونات في الوعاء. إذا قامت وظيفة الحماية من السخونة الزائدة بإيقاف تشغيل الجهاز خلال الاستخدام، اضبط مفتاح التحكم على ٠ وارتك الجهاز لبضع دقائق حتى يبرد. بعدئذ يمكنك استخدام الجهاز مرة أخرى.

تهانينا على شراكتك الجهاز ومرحبًا بك في عالم Philips AVENT! للاستفادة الكاملة من الدعم الذي توفره Philips AVENT، سجل منتجك على العنوان www.philips.com/welcome. مجموعة جهاز الطهي بالبخار والخلط مناسبة خصيصًا لإعداد الكميات الصغيرة من طعام الأطفال. كما توفر مجموعة جهاز الطهي بالبخار والخلط الدعم لجميع الآباء فيما يتعلق بتحضير الوجبات الطازجة لأطفالهم مع وظيفة بسيطة للطهي بالبخار والخلط مُدمجة في جهاز واحد.

الوصف العام (شكل 1)

- 1 غطاء يحتوي على فتحة لخروج البخار
- 2 المصفاة
- 3 وحدة الشفرات
- 4 وعاء مزود بحامل لوحدة الشفرات
- 5 فتحة التعبئة في خزان الماء
- 6 منفذ البخار في وحدة الموتور (المحرك)
- 7 منطقة القفل للمقبض
- 8 وحدة الموتور
- 9 لمبة الطهي بالبخار
- 10 مقبض التحكم
- 11 الصمام
- 12 ملعقة
- 13 كأس المعايرة
- 14 الجزء السفلي من الجهاز مع سلك توصيل الكهرباء

هام

يُرجى قراءة دليل المستخدم هذا بعناية قبل استخدام الجهاز والاحتفاظ به للرجوع إليه في المستقبل.

خطر

- لا تغمر وحدة الموتور أبدًا في الماء أو أي سائل آخر أو تشطفها تحت ماء الصنبور.

تحذير

- تأكد من أن درجة الفولتية الموضحة على الجهاز تتوافق مع فولتية التيار الكهربائي المحلي قبل توصيل الجهاز.
- لا تستخدم الجهاز في حالة وجود تلف بسلك التيار الكهربائي أو القابس أو الجهاز نفسه.
- إذا تلف سلك التيار الكهربائي، فيجب استبداله بمعرفة شركة Philips أو مركز خدمة معتمد لدى شركة Philips أو أشخاص ذوي مؤهلات مناسبة لتجنب المخاطر.
- لم يتم تصميم هذا الجهاز ليستخدمه الأشخاص (بمن فيهم الأطفال) ذوي الإعاقات الحسية أو العقلية أو الذين يتفكرون إلى الخبرة والمعرفة ما لم يحصلوا على الإشراف والتوجيه فيما يتعلق باستعمال هذا الجهاز من الشخص المسئول عن سلامتهم.
- يجب مراقبة الأطفال للتأكد من عدم عبثهم بالجهاز.
- احفظ الجهاز والسلك الكهربائي الخاص به بعيدًا عن متناول الأطفال.
- لا تلمس الحواف القاطعة لوحدة الشفرات، خاصة عندما يتم توصيل الجهاز بالكهرباء وأثناء التنظيف. حواف التقطيع حادة للغاية.
- في حالة التصاق وحدة الشفرات، أفضل الجهاز عن الكهرباء قبل إخراج المكونات التي أدت إلى إعاقة وحدة الشفرات.
- يسخن الجهاز جدًا خلال الطهي بالبخار ويمكن أن يتسبب في الحروق في حالة لمسه. لا ترفع الوعاء إلا باستخدام المقبض فقط.
- احترس من البخار الساخن الخارج من الوعاء خلال الطهي بالبخار وعند إزالة الغطاء.
- احترس من البخار الساخن الخارج من فتحة التعبئة الخاصة بخزان الماء عند فتح الغطاء.
- عند انتهاء عملية الطهي بالبخار، يستمر البخار الساخن في الانبعاث من منفذ البخار الموجود بوحدة الموتور وفتحة خروج البخار الموجودة في غطاء الوعاء لبعض الوقت. احترس عند رفع الوعاء من وحدة الموتور.
- في حالة استخدام الجهاز بشكل غير ملائم، يمكن أن يخرج البخار الساخن من فتحة التعبئة. ارجع إلى فصل "اكتشاف المشكلات وحلها" لحل هذه المشكلة.
- لا تترك الجهاز يعمل بدون مراقبة.
- لا تفك وحدة الموتور لأغراض الصيانة أو التنظيف. توجه بالجهاز إلى أحد مراكز الخدمة المعتمدة من Philips لإصلاحه.