

JBL® CLUB SPEAKERS



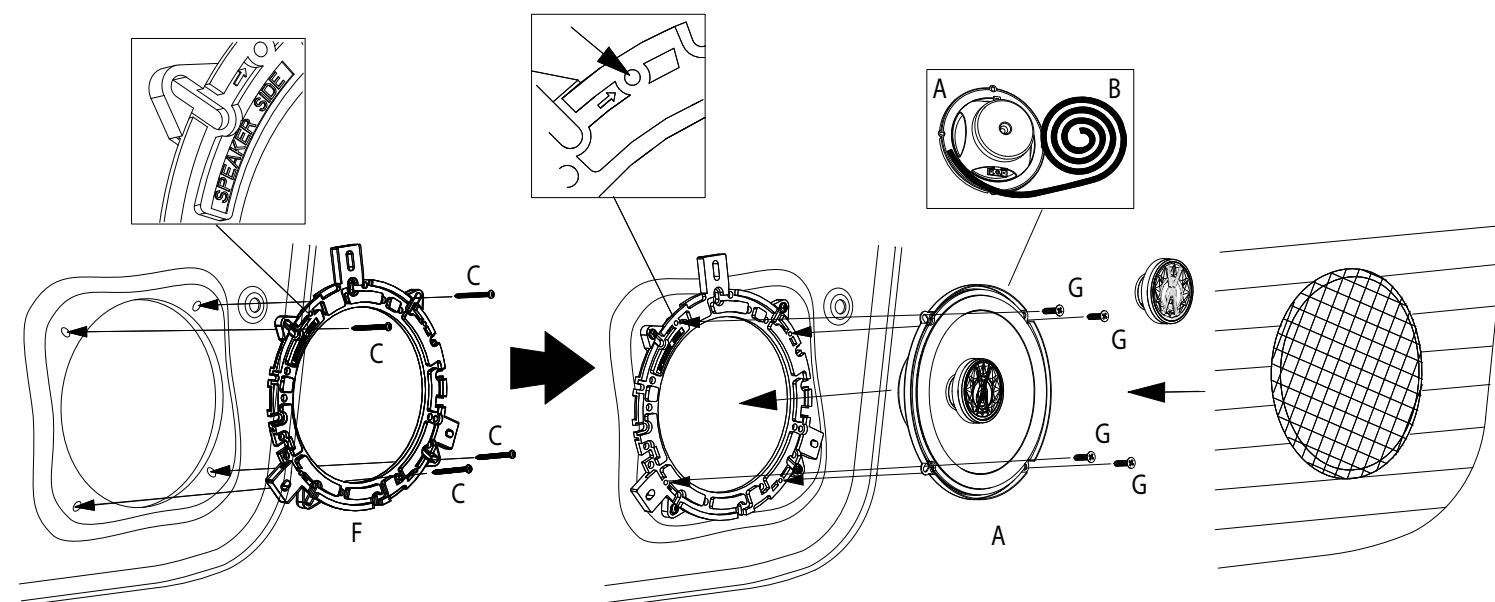
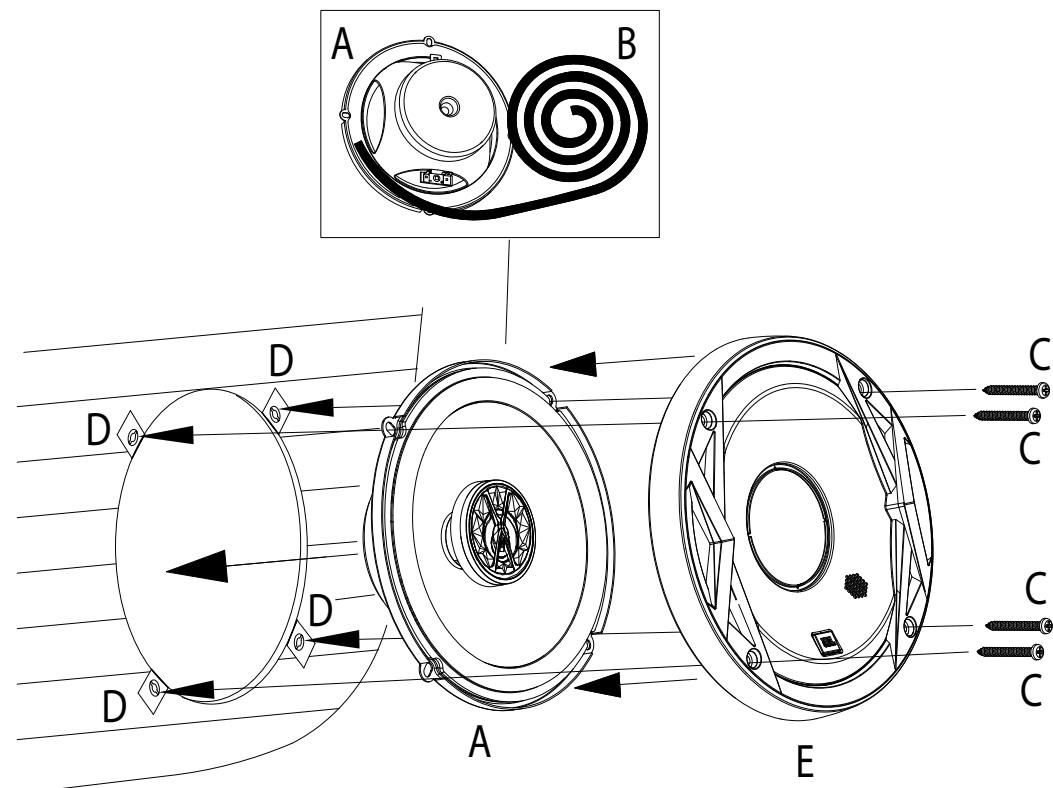
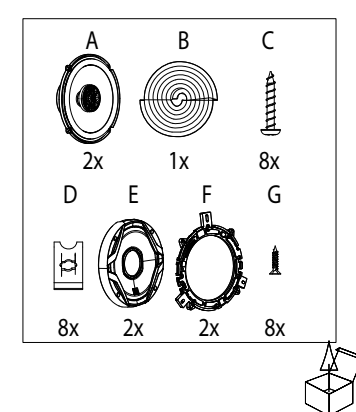
by HARMAN

Car Audio Speaker
 Haut-parleur audio automobile
 Altavoz de audio para automóvil
 Alto-falante automotivo
 Fahrzeuglautsprecher
 Diffusore Car Audio
 Autoluidspreker
 Bilstereohøytaler
 Autokaiutin
 Автомобильный динамик
 Bilhögtalare
 Bilhöjtaler
 カーオーディオ・スピーカー
 Głośnik samochodowy
 카오디오 스피커
 车载扬声器
 汽車音響喇叭
 Speaker Audio Mobil
 Araba Ses Hoparlörü

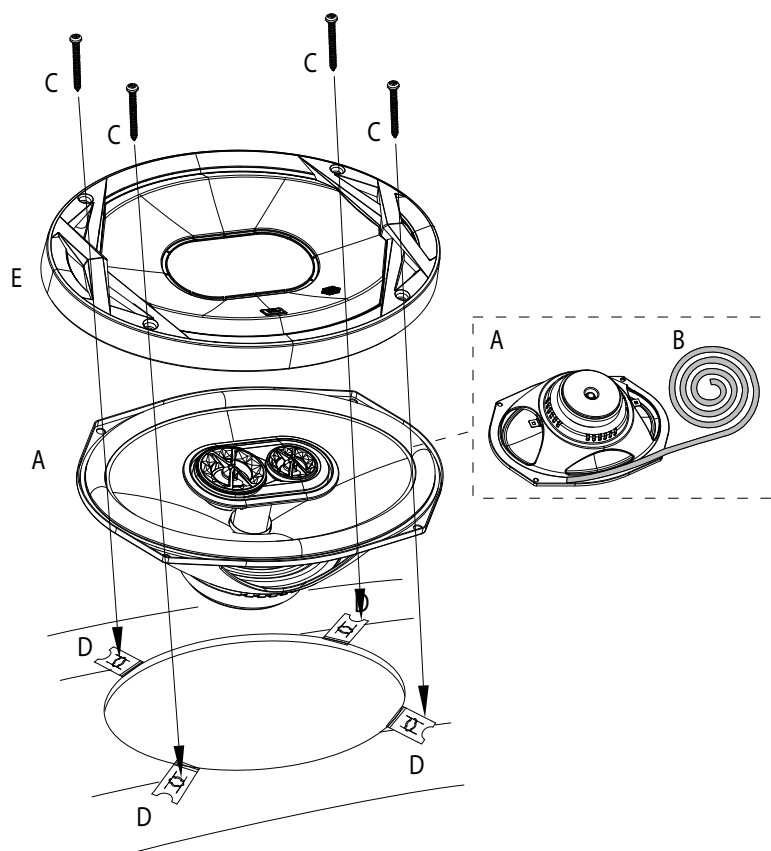
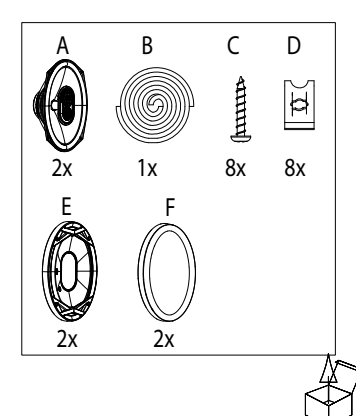


Installation manual
 Manuel d'installation
 Manual de instalación
 Manual de instalação
 Installationshandbuch
 Manuale d'installazione
 Installatiehandleiding
 Installasjonsveiledning
 Asennusopas
 Руководство по установке
 Installationsanvisning
 Installationsmanual
 設置マニュアル
 Instrukcja instalacji
 설치 설명서
 安装手册
 安裝手冊
 Panduan instalasi
 Kurulum kılavuzu

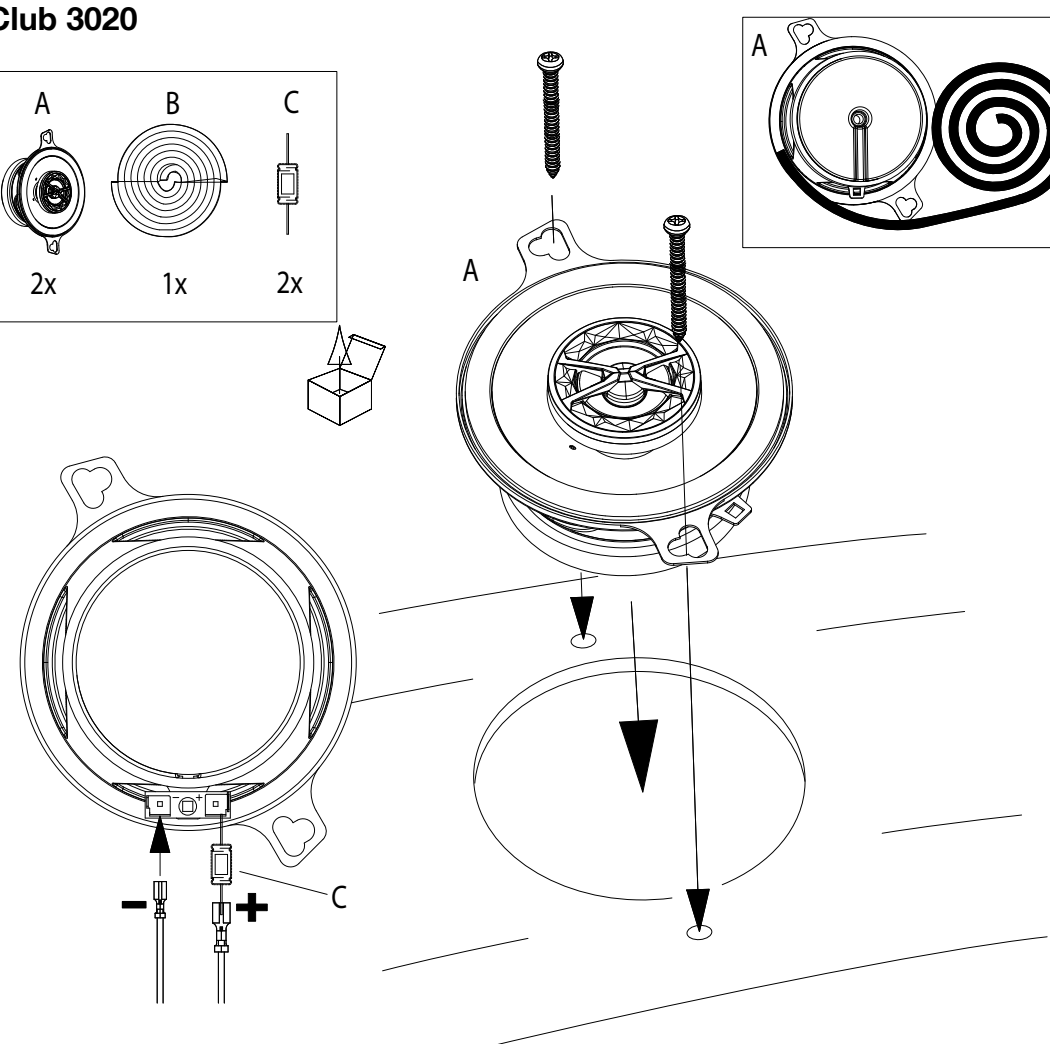
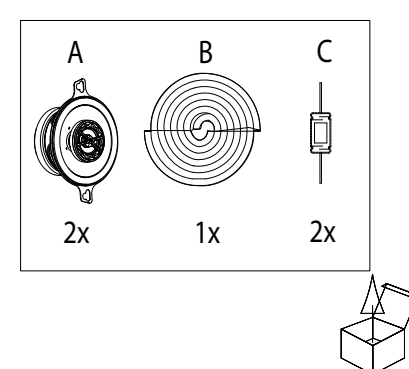
CLUB 6520



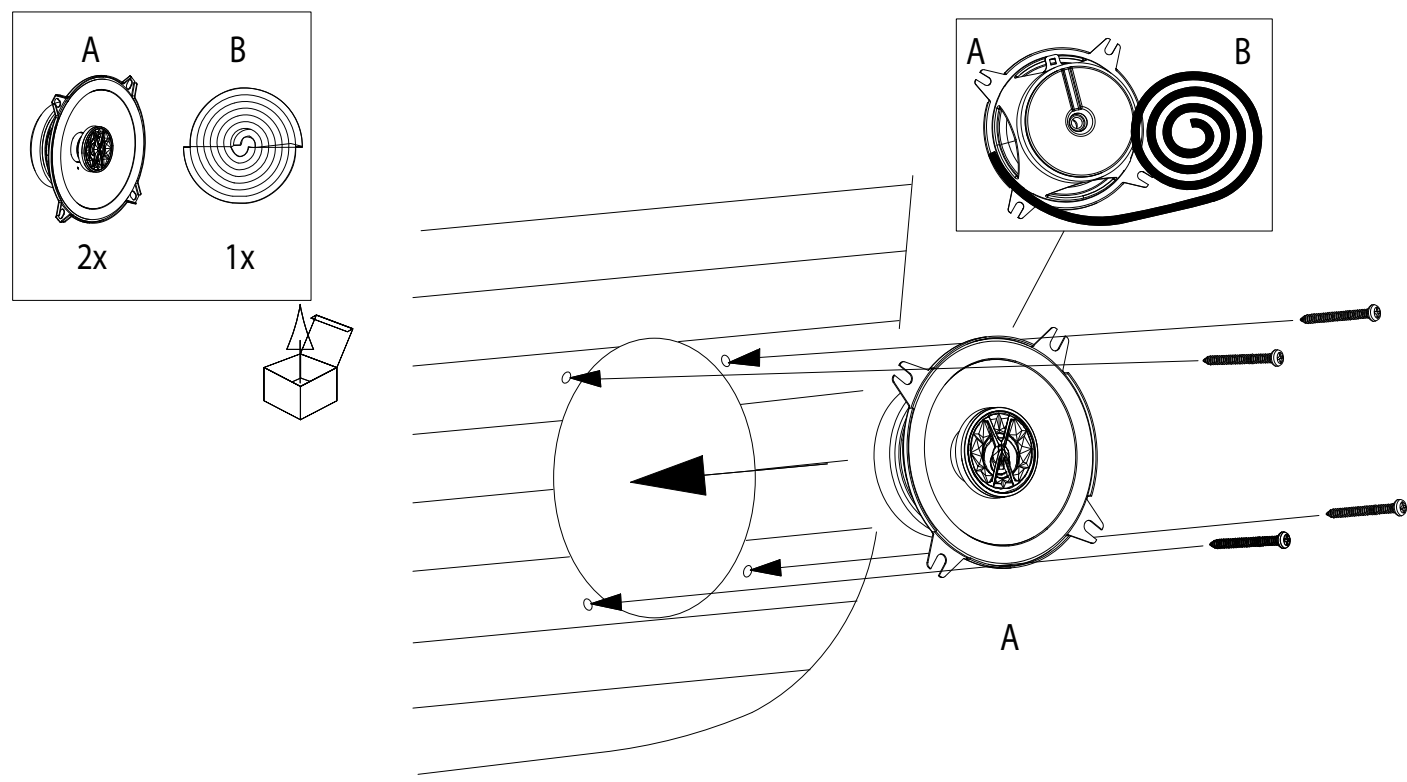
CLUB 9630



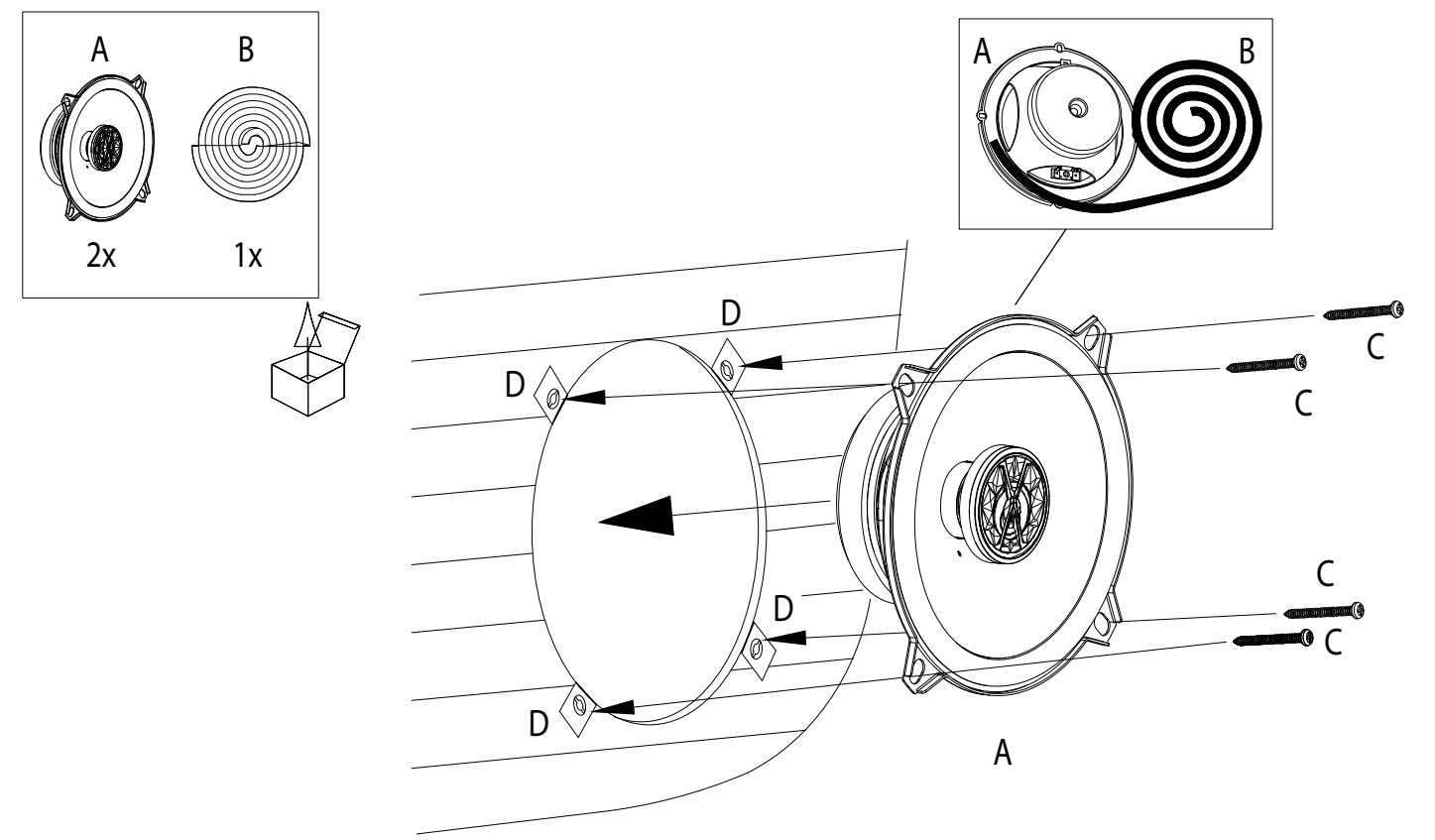
Club 3020



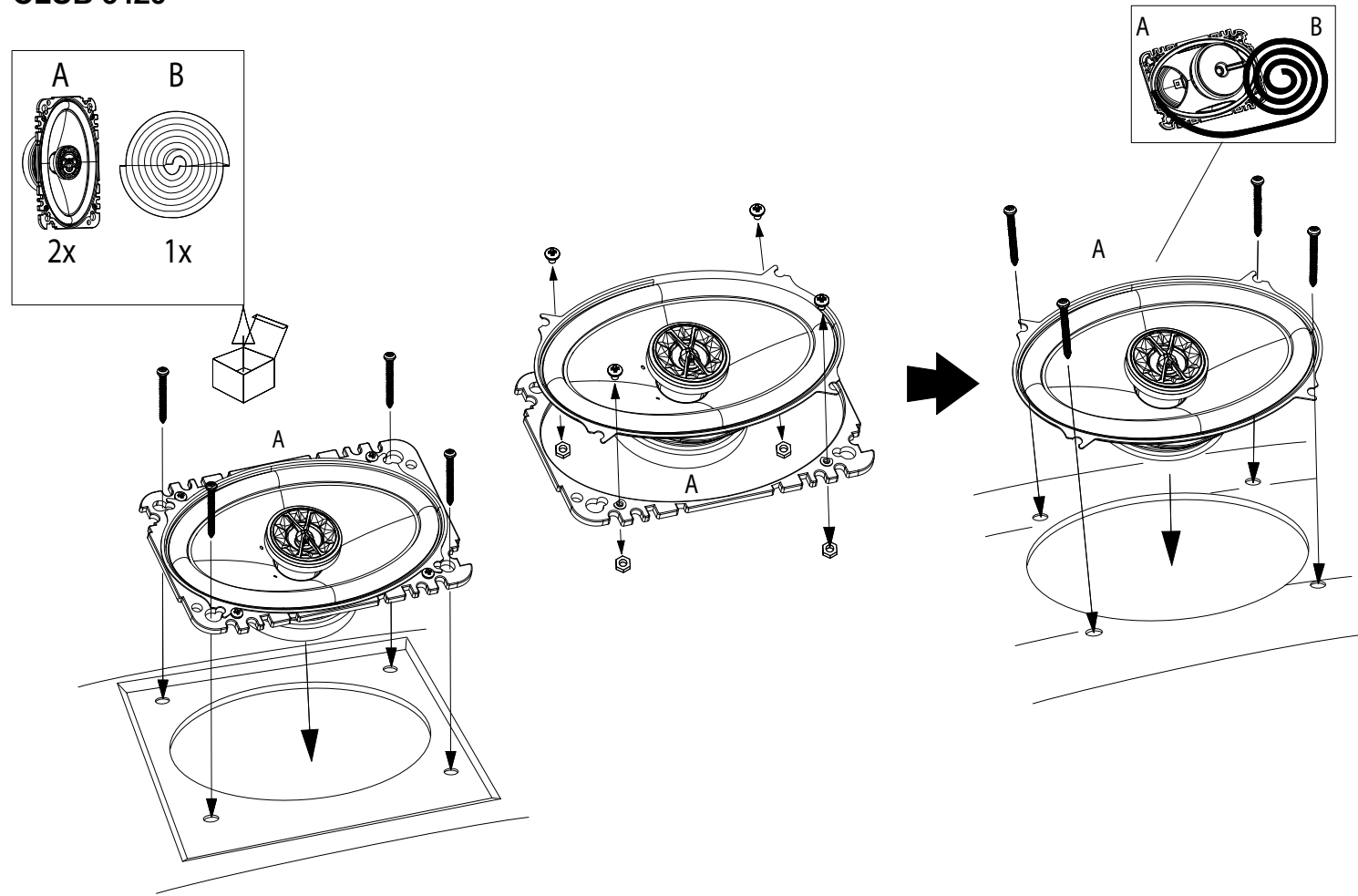
CLUB 4020



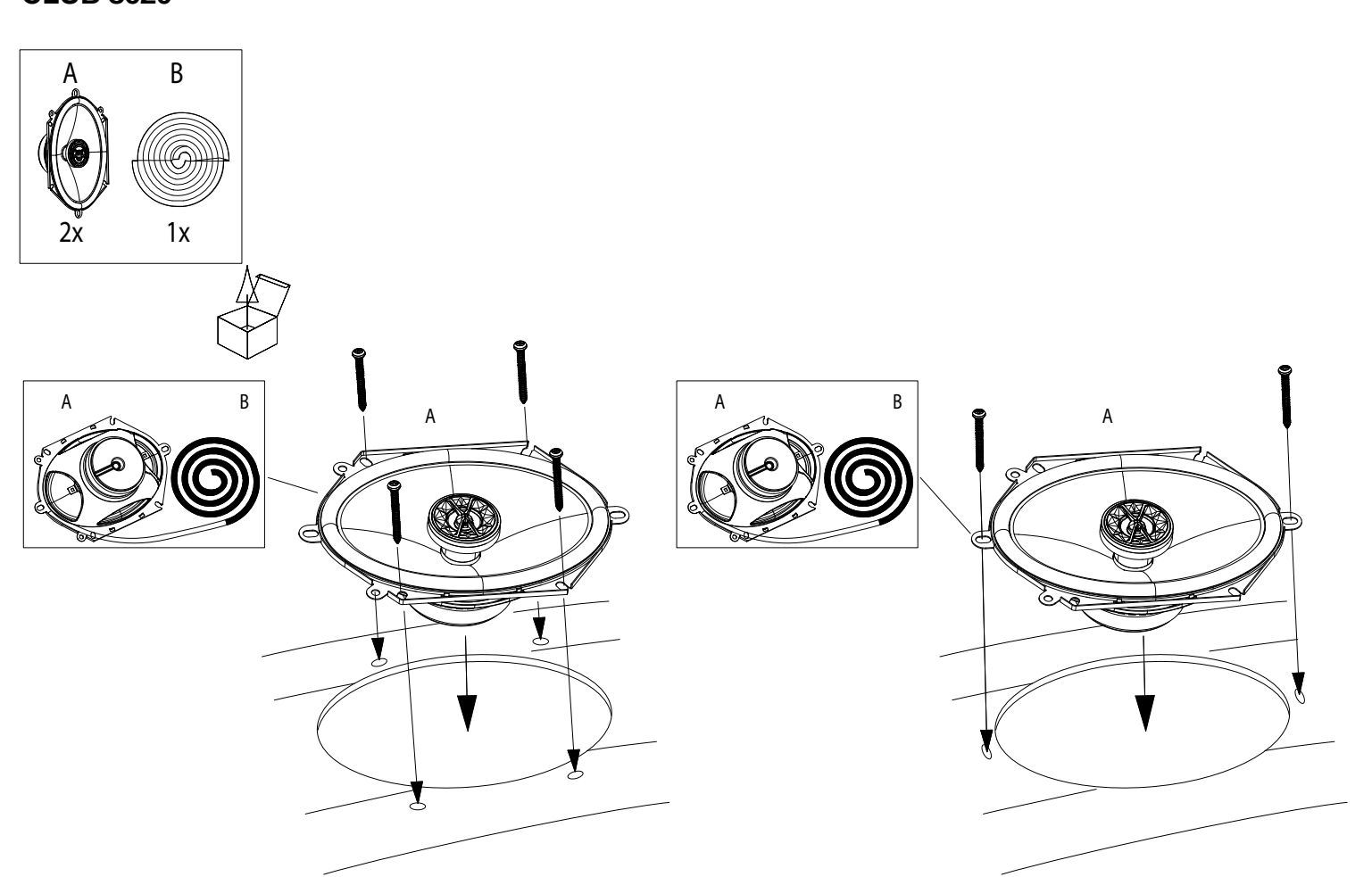
CLUB 5020



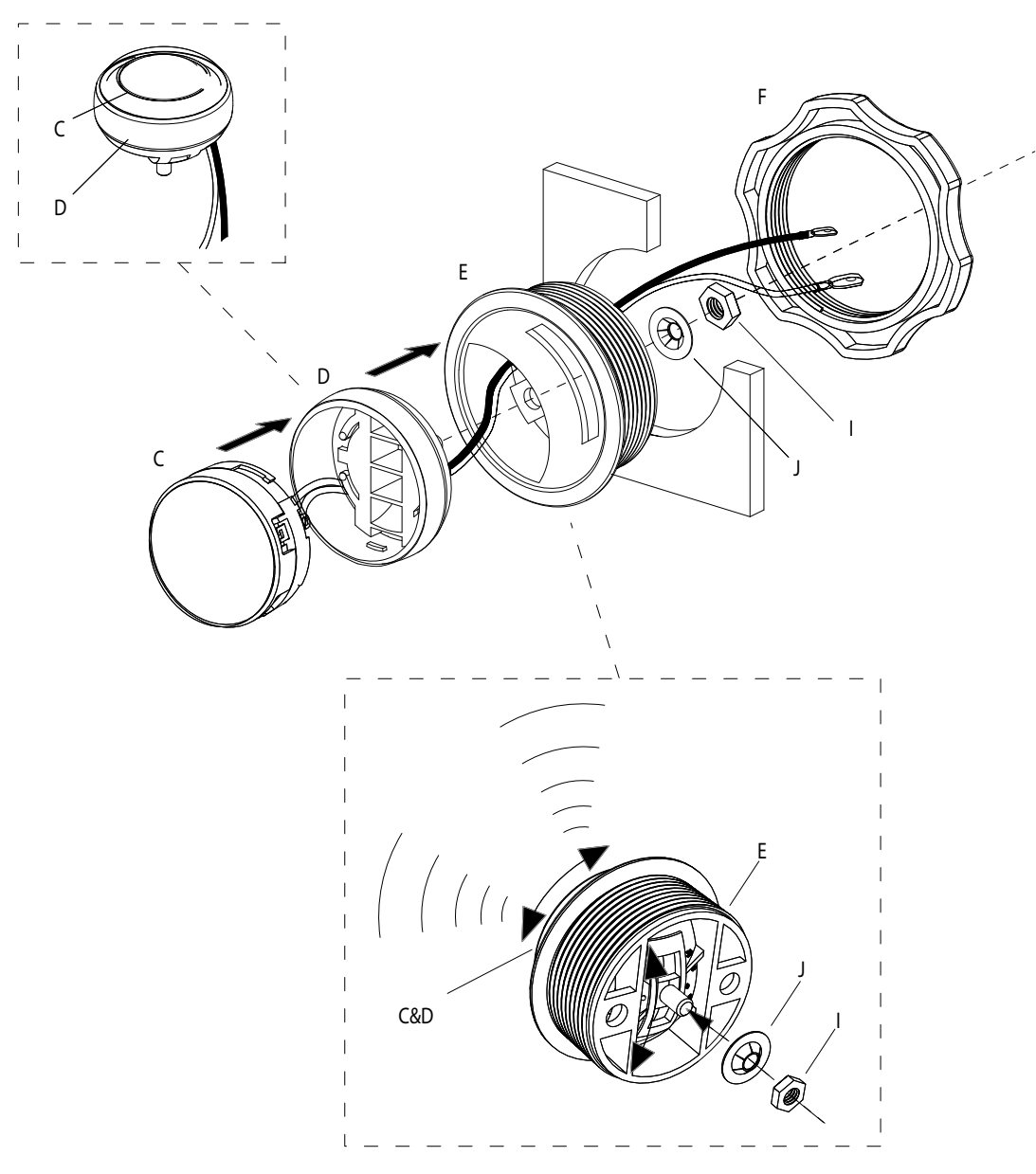
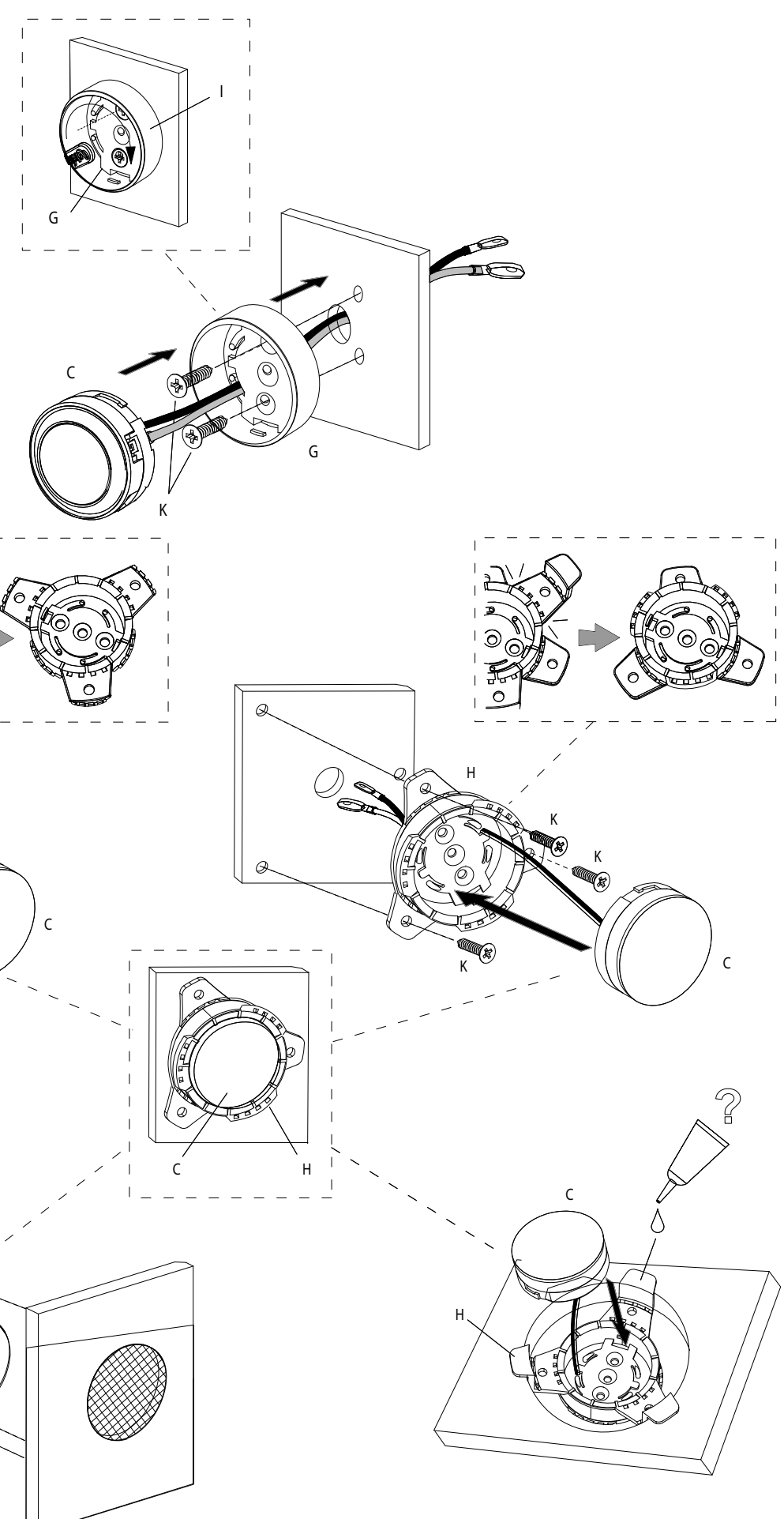
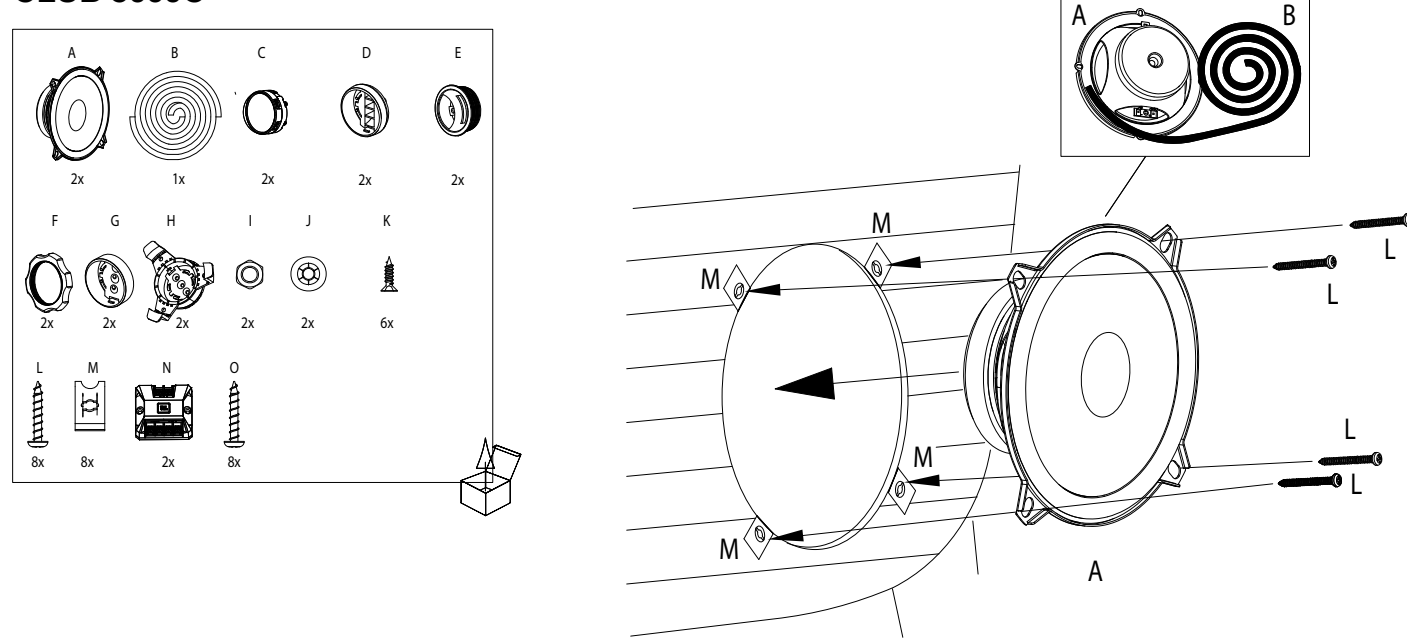
CLUB 6420



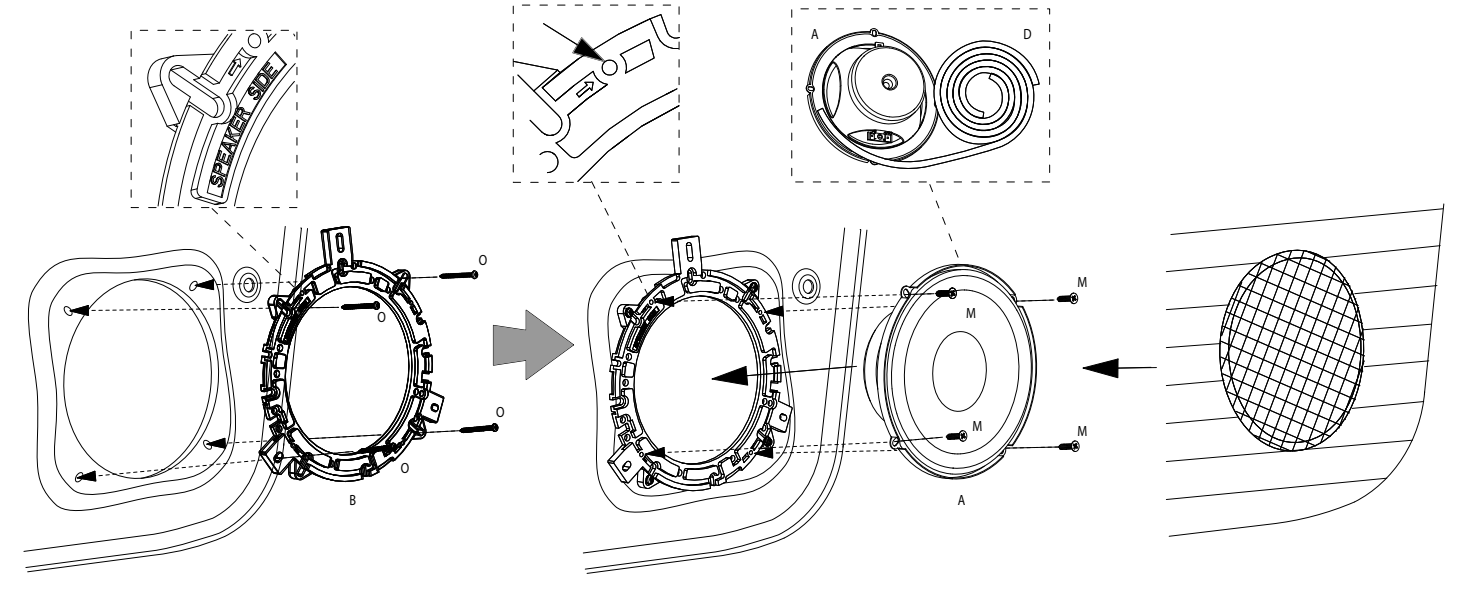
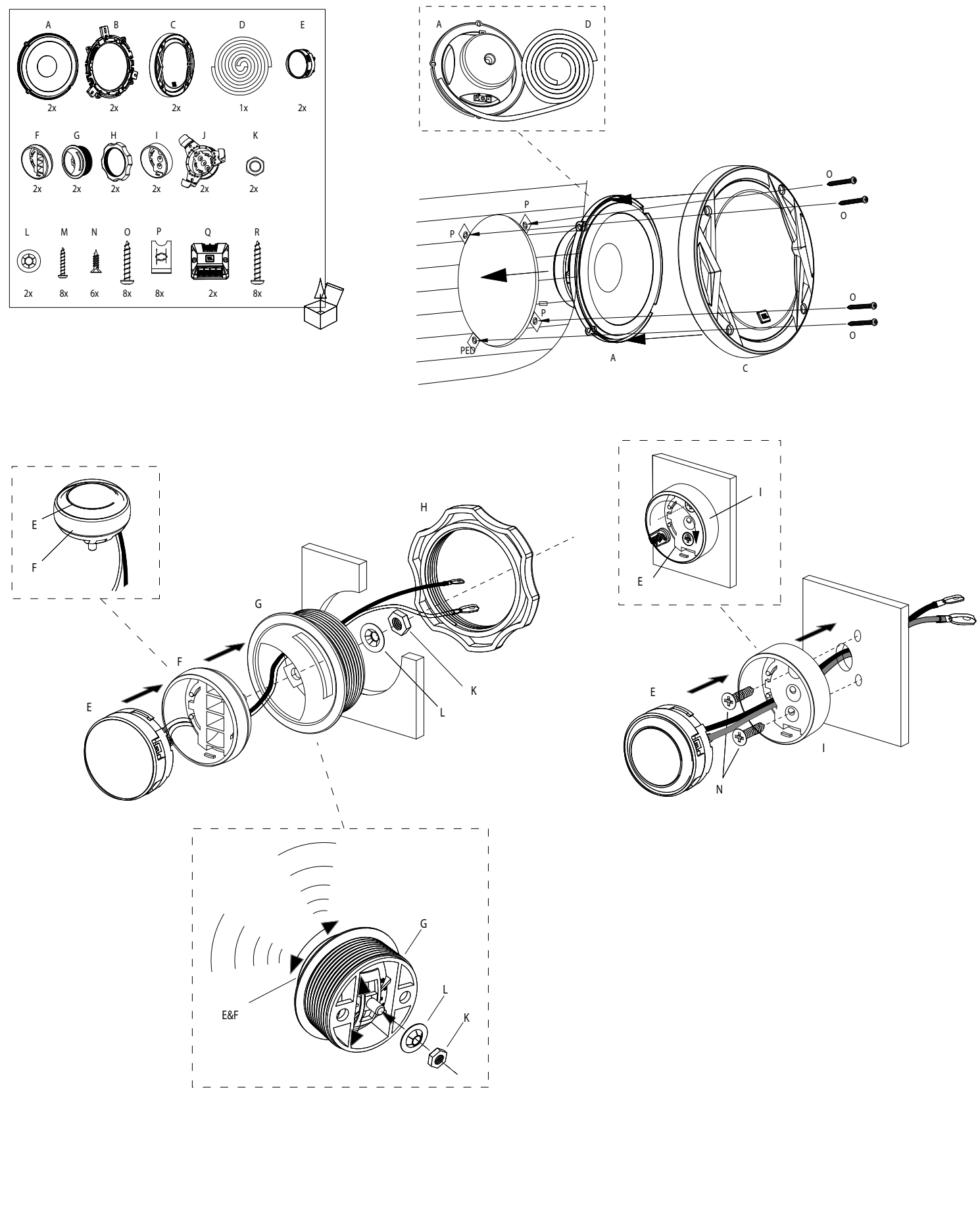
CLUB 8620



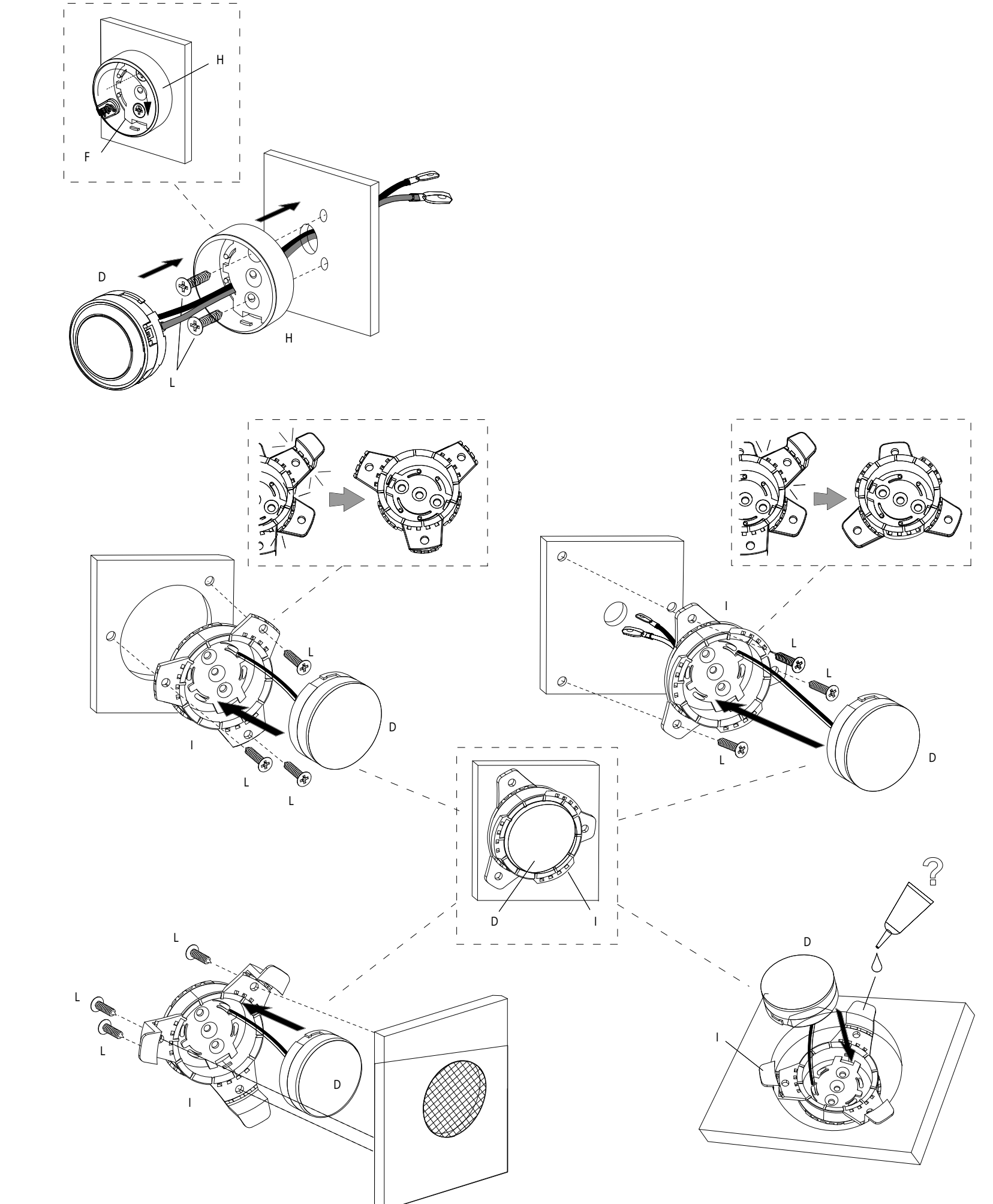
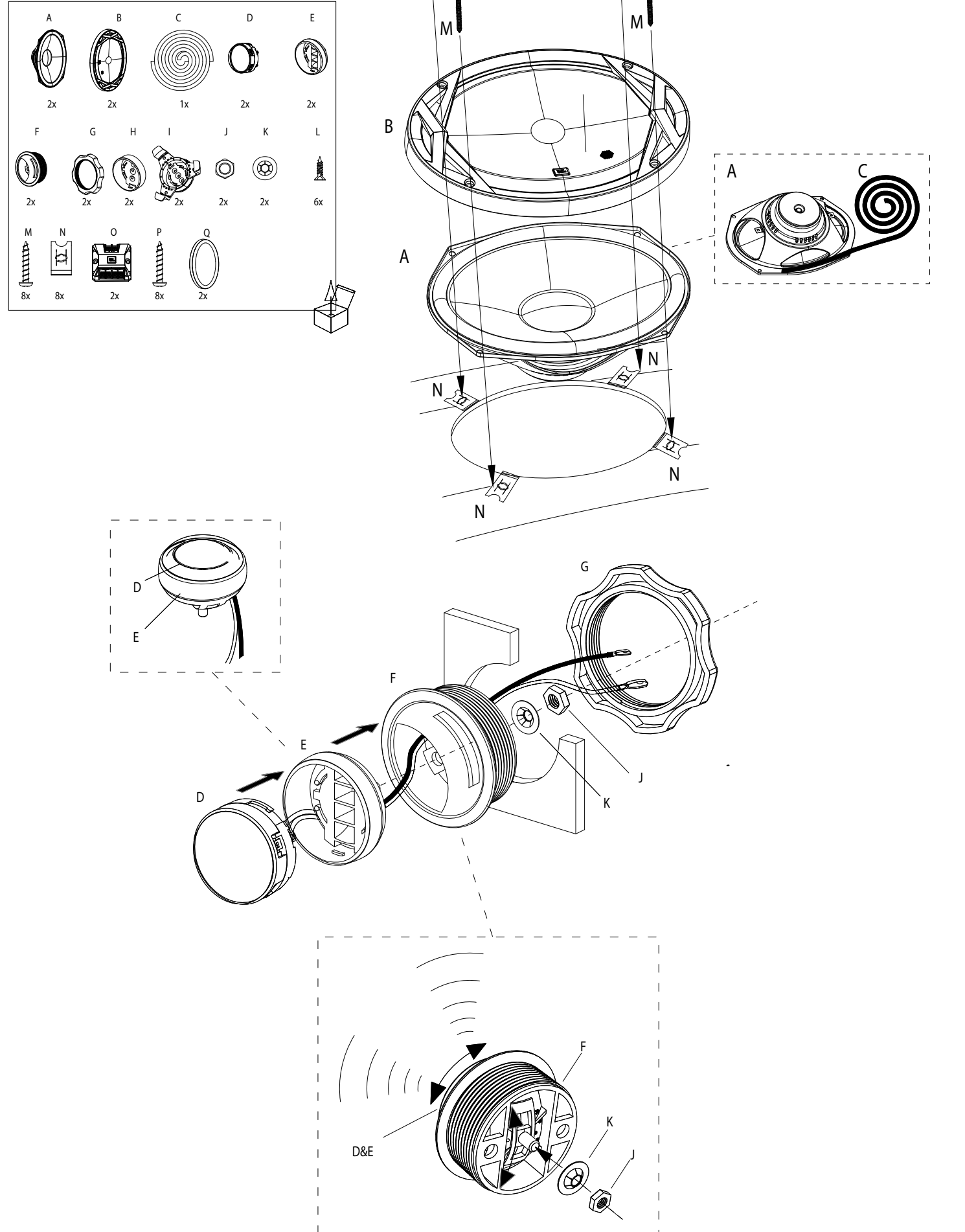
CLUB 5000C



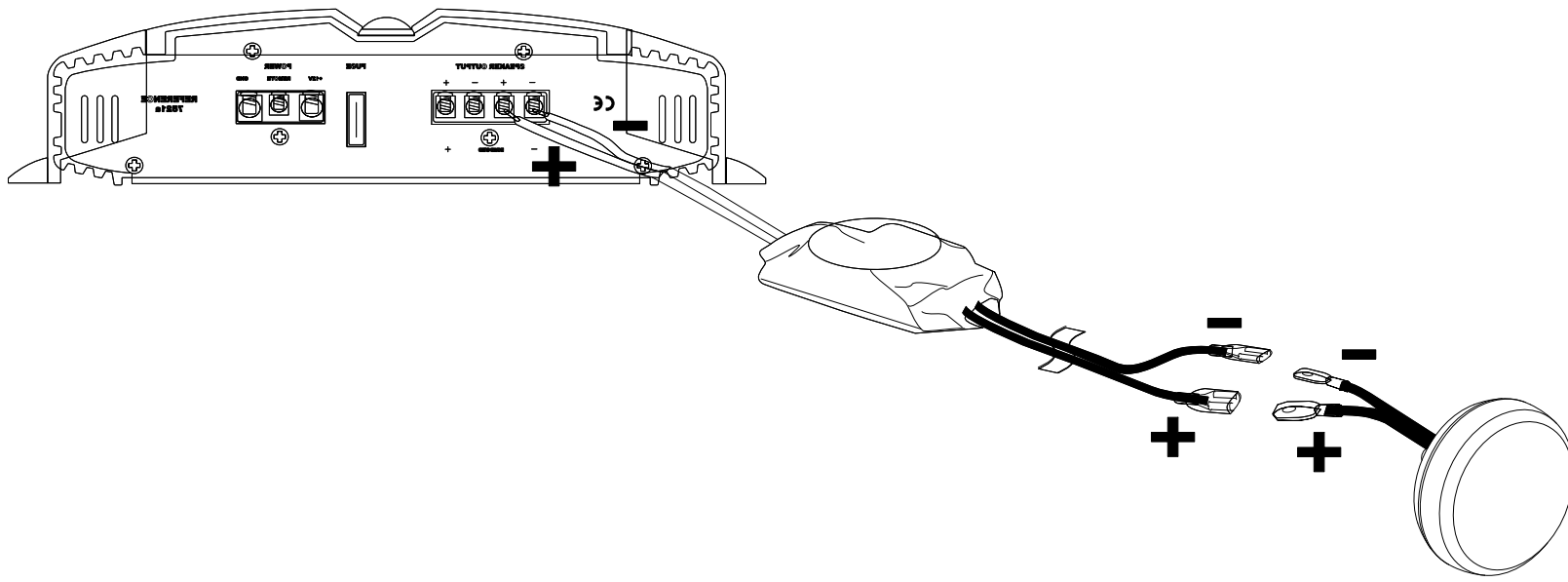
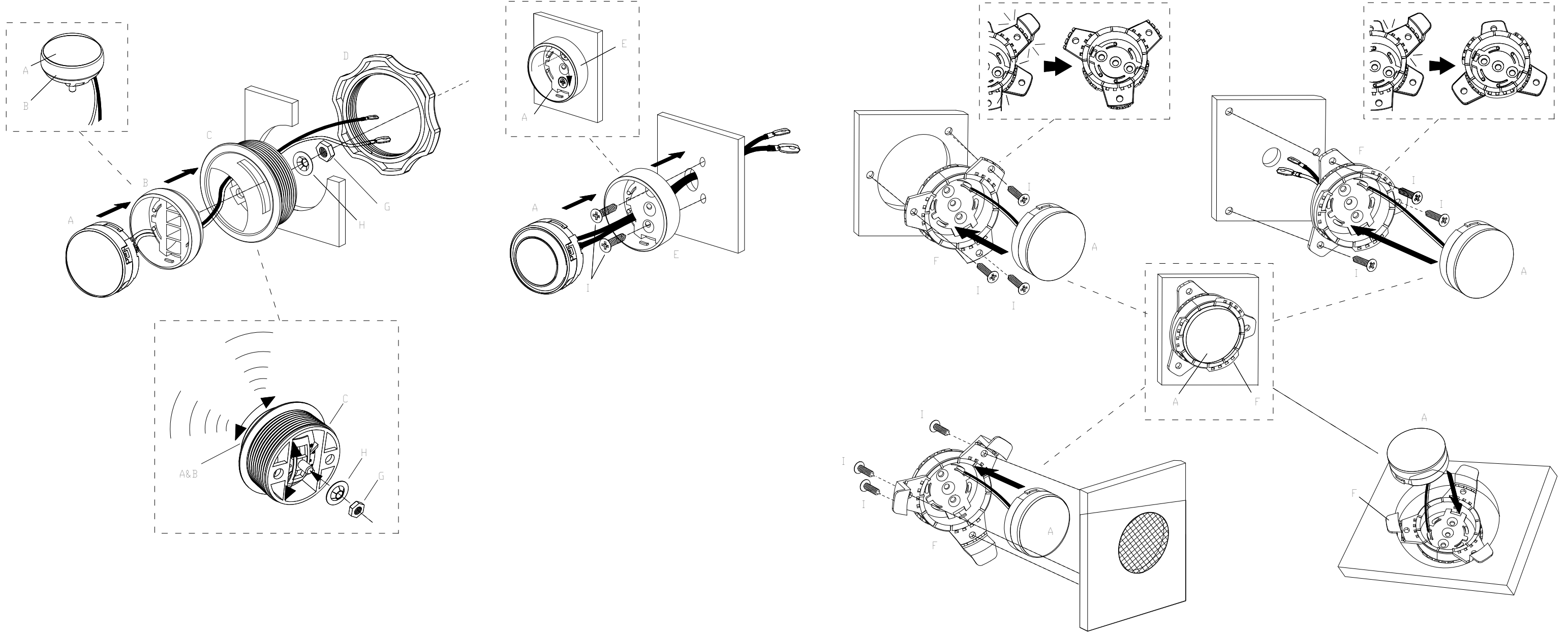
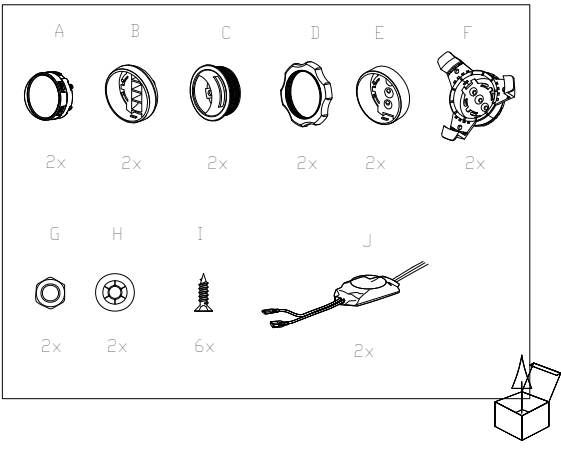
CLUB 6500C



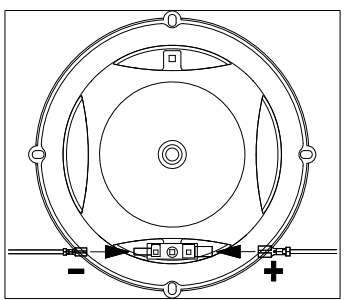
CLUB 9600C



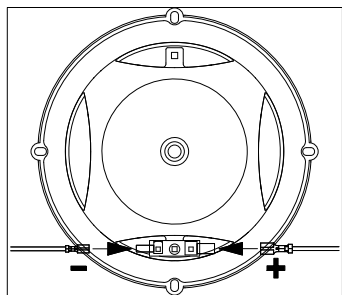
Club 750T



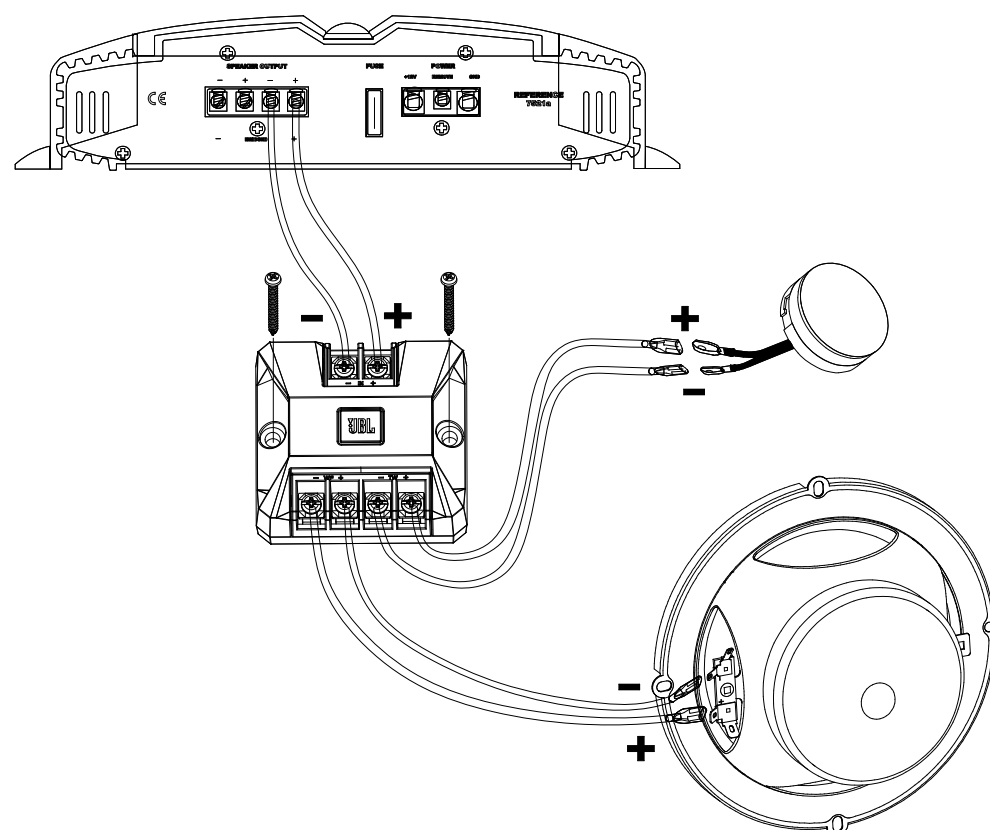
**CLUB 6420 / CLUB 8620 /
CLUB 5020 / CLUB 6520 /
CLUB 3020 / CLUB 4020 /
CLUB 9630**

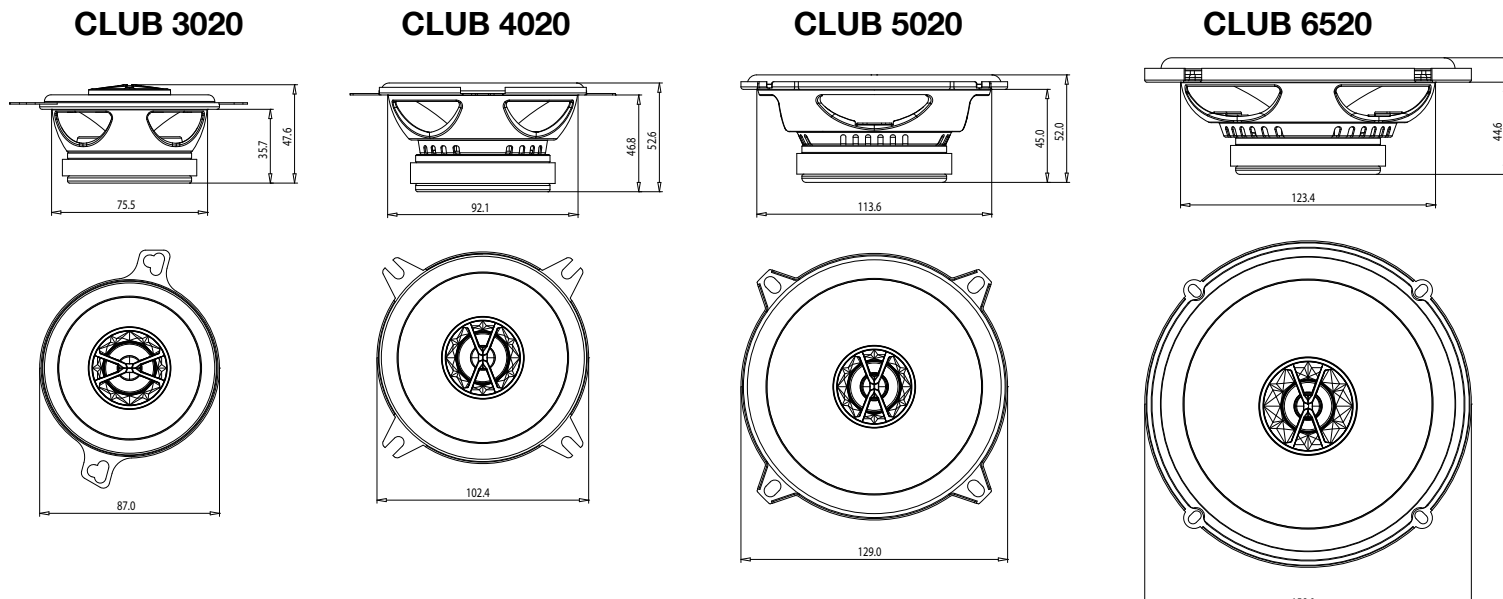
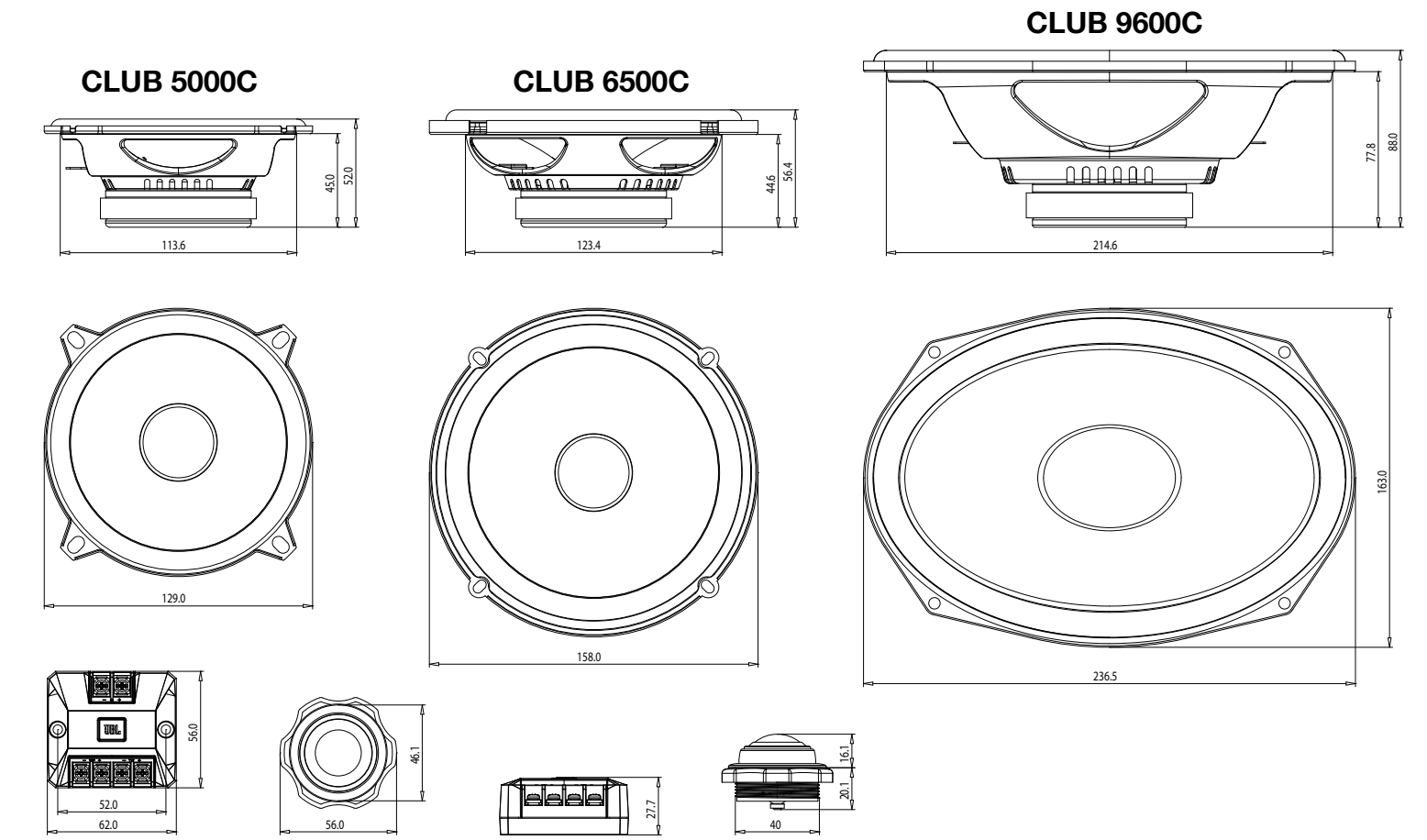
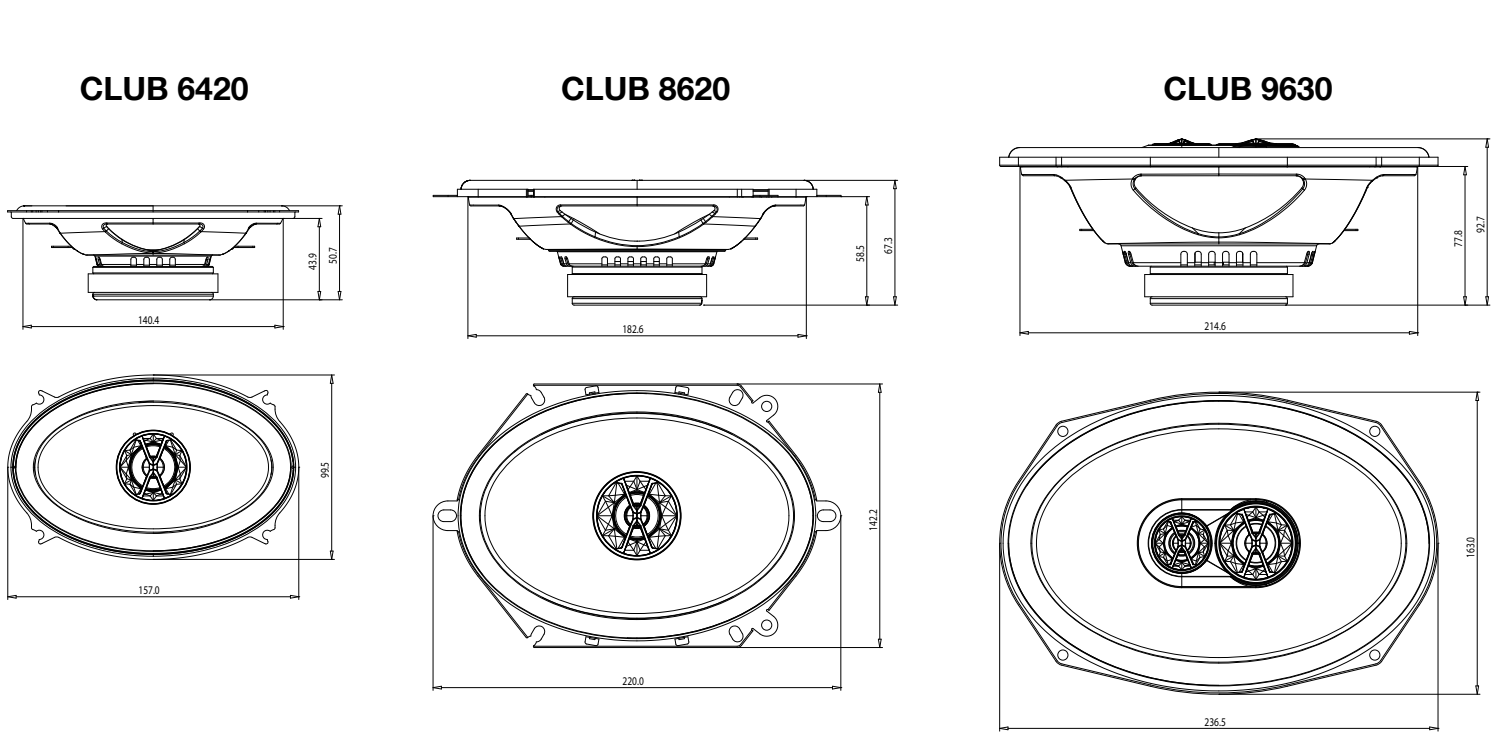


**CLUB 5000C / CLUB 6500C /
CLUB 9600C / CLUB 750T**



CLUB 5000C / CLUB 6500C / CLUB 9600C





SPECIFICATIONS	CLUB 6520	CLUB 9630	CLUB 3020	CLUB 4020	CLUB 5020	CLUB 6420	CLUB 8620	CLUB 5000C	CLUB 6500C	CLUB 9600C	CLUB 750T
Type	6-1/2" (160mm) coaxial car speaker	6" x 9" three-way car speaker	3-1/2" (87mm) coaxial car speaker	4" (100mm) coaxial car speaker	5-1/4" (130mm) coaxial car speaker	4" x 6" coaxial car speaker	6" x 8" coaxial car speaker	5-1/4" (130mm) component speaker system	6-1/2" (160mm) component speaker system	6" x 9" component speaker system	3/4" (19mm) component tweeter
Continuous power handling	50W	80W	20W	30W	40W	30W	55W	55W	60W	90W	45W
Peak power handling	150W	240W	60W	90W	120W	105W	165W	165W	180W	270W	135W
Frequency response	55Hz-20kHz	50Hz-20kHz	90Hz-20kHz	75Hz-20kHz	75Hz-20kHz	75Hz-20kHz	65Hz-20kHz	70Hz-20kHz	55Hz-20kHz	50Hz-20kHz	3kHz-20kHz
Nominal impedance	3.0ohms	3.0ohms	3.0ohms	3.0ohms	3.0ohms	3.0ohms	3.0ohms	3.0ohms	3.0ohms	3.0ohms	3.0ohms
Sensitivity (2.83V/1m)	92dB	93dB	89dB	90dB	91dB	91dB	93dB	93dB	93dB	93dB	92dB
External diameter	6-1/4" (158mm)	9-5/16" X 6-7/16" (236.5mm X 163mm)	3-7/16" (87mm)	4-1/16" (102.4mm)	5-1/8" (129mm)	6-3/16" X 3-3/8" (157mm X 99.5mm)	8-1/16" X 5-5/8" (220mm X 142.2mm)	5-1/8" (129mm)	6-1/4" (158mm)	9-5/16" X 6-7/16" (236.5mm X 163mm)	2-1/4" (56mm)
Mounting cutout diameter	4-7/8" (123.4mm)	8-1/2" X 5-3/4" (214.6mm X 144.6mm)	3" (75.5mm)	3-11/16" (92.1mm)	4-1/2" (113.6mm)	5-9/16" X 3-3/8" (140.4mm X 85.1mm)	7-1/4" X 5" (182.6mm X 125.6mm)	4-1/2" (113.6mm)	4-7/8" (123.4mm)	8-1/2" X 5-3/4" (214.6mm X 144.6mm)	1-5/8" (40mm)
Total depth	2-1/4" (56.4mm)	3-11/16" (92.7mm)	1-7/8" (47.6mm)	2-1/8" (52.6mm)	2-1/16" (52mm)	2" (50.7mm)	2-11/16" (67.3mm)	2-1/16" (52mm)	2-1/4" (56.4mm)	3-1/2" (88mm)	1-7/16" (36.1mm)
Mounting depth	1-13/16" (44.6mm)	3-1/8" (77.8mm)	1-7/16" (35.7mm)	1-7/8" (46.8mm)	1-13/16" (45mm)	1-3/4" (43.9mm)	2-5/16" (58.5mm)	1-13/16" (45mm)	1-13/16" (44.6mm)	3-1/8" (77.8mm)	13/16" (20mm)

SPECIFICATIONS	CLUB 6520	CLUB 9630	CLUB 3020	CLUB 4020	CLUB 5020	CLUB 6420	CLUB 8620	CLUB 5000C	CLUB 6500C	CLUB 9600C	CLUB 750T
Type	Haut-parleur automobile coaxial (160mm 6-1/2")	Haut-parleur automobile trois voies (152 mm x 229 mm 6" x 9")	Haut-parleur automobile coaxial (87mm 3-1/2")	Haut-parleur automobile coaxial (100 mm 4")	Haut-parleur automobile coaxial (130 mm 5-1/4")	Haut-parleur automobile coaxial (152 mm x 203 mm 6" x 8")	Haut-parleur automobile coaxial (152 mm x 203 mm 6" x 8")	Système haut-parleur composant (130 mm 5-1/4")	Système haut-parleur composant (160 mm 6-1/2")	Système haut-parleur composant (152 mm x 229 mm 6" x 9")	Haut-parleur aigu composant (19 mm 3/4")
Puissance admissible continue	50W	80W	20W	30W	40W	30W	55W	55W	60W	90W	45W
Puissance admissible crête	150W	240W	60W	90W	120W	105W	165W	165W	180W	270W	135W
Réponse en fréquence	55Hz-20kHz	50Hz-20kHz	90Hz-20kHz	75Hz-20kHz	75Hz-20kHz	75Hz-20kHz	65Hz-20kHz	70Hz-20kHz	55Hz-20kHz	50Hz-20kHz	3kHz-20kHz
Impédance nominale	3.0ohms	3.0ohms	3.0ohms	3.0ohms	3.0ohms	3.0ohms	3.0ohms	3.0ohms	3.0ohms	3.0ohms	3.0ohms
Sensibilité (2.83V/1m)	92dB	93dB	89dB	90dB	91dB	91dB	93dB	93dB	93dB	93dB	92dB
Diamètre externe	6-1/4" (158mm)	9-5/16" X 6-7/16" (236.5mm X 163mm)	3-7/16" (87mm)	4-1/16" (102.4mm)	5-1/8" (129mm)	6-3/16" X 3-3/8" (157mm X 99.5mm)	8-1/16" X 5-5/8" (220mm X 142.2mm)	5-1/8" (129mm)	6-1/4" (158mm)	9-5/16" X 6-7/16" (236.5mm X 163mm)	2-1/4" (56mm)
Diamètre de découpe de montage	4-7/8" (123.4mm)	8-1/2" X 5-3/4" (214.6mm X 144.6mm)	3" (75.5mm)	3-11/16" (92.1mm)	4-1/2" (113.6mm)	5-9/16" X 3-3/8" (140.4mm X 85.1mm)	7-1/4" X 5" (182.6mm X 125.6mm)	4-1/2" (113.6mm)	4-7/8" (123.4mm)	8-1/2" X 5-3/4" (214.6mm X 144.6mm)	1-5/8" (40mm)
Profondeur totale	2-1/4" (56.4mm)	3-11/16" (92.7mm)	1-7/8" (47.6mm)	2-1/8" (52.6mm)	2-1/16" (52mm)	2" (50.7mm)	2-11/16" (67.3mm)	2-1/16" (52mm)	2-1/4" (56.4mm)	3-1/2" (88mm)	1-7/16" (36.1mm)
Profondeur de montage	1-13/16" (44.6mm)	3-1/8" (77.8mm)	1-7/16" (35.7mm)	1-7/8" (46.8mm)	1-13/16" (45mm)	1-3/4" (43.9mm)	2-5/16" (58.5mm)	1-13/16" (45mm)	1-13/16" (44.6mm)	3-1/8" (77.8mm)	13/16" (20mm)

TECHNISCHE DATEN	CLUB 6520	CLUB 9630	CLUB 3020	CLUB 4020	CLUB 5020	CLUB 6420	CLUB 8620	CLUB 5000C	CLUB 6500C	CLUB 9600C	CLUB 750T
Typ	Koaxial-Lautsprecher fürs Auto (160mm)	Dringel Lautsprecher fürs Auto (6" x 9")	Koaxial-Lautsprecher fürs Auto (87mm)	Koaxial-Lautsprecher fürs Auto (100mm)	Koaxial-Lautsprecher fürs Auto (130mm)	Koaxial-Lautsprecher fürs Auto (4" x 6")	Koaxial-Lautsprecher fürs Auto (6" x 8")	Component-Lautsprecher erestem (130 mm 5-1/4")	Component-Lautsprecher erestem (160 mm 6-1/2")	Component-Lautsprecher erestem (6" x 9")	Component-Hochtöner (19mm)
Kontinuierliche Leistung	50W	80W	20W	30W	40W	30W	55W	55W	60W	90W	45W
Spitzenleistung	150W	240W	60W	90W	120W	105W	165W	165W	180W	270W	135W
Frequenzbereich	55Hz-20kHz	50Hz-20kHz	90Hz-20kHz	75Hz-20kHz	75Hz-20kHz	75Hz-20kHz	65Hz-20kHz	70Hz-20kHz	55Hz-20kHz	50Hz-20kHz	3kHz-20kHz
Nennimpedanz	3.0ohms	3.0ohms	3.0ohms	3.0ohms	3.0ohms	3.0ohms	3.0ohms	3.0ohms	3.0ohms	3.0ohms	3.0ohms
Empfindlichkeit (2.83V/1m)	92dB	93dB	89dB	90dB	91dB	91dB	93dB	93dB	93dB	93dB	92dB
Äußerer Durchmesser	6-1/4" (158mm)	9-5/16" X 6-7/16" (236.5mm X 163mm)	3-7/16" (87mm)	4-1/16" (102.4mm)	5-1/8" (129mm)	6-3/16" X 3-3/8" (157mm X 99.5mm)	8-1/16" X 5-5/8" (220mm X 142.2mm)	5-1/8" (129mm)	6-1/4" (158mm)	9-5/16" X 6-7/16" (236.5mm X 163mm)	2-1/4" (56mm)
Montageschnitt-Durchmesser	4-7/8" (123.4mm)	8-1/2" X 5-3/4" (214.6mm X 144.6mm)	3" (75.5mm)	3-11/16" (92.1mm)	4-1/2" (113.6mm)	5-9/16" X 3-3/8" (140.4mm X 85.1mm)	7-1/4" X 5" (182.6mm X 125.6mm)	4-1/2" (113.6mm)	4-7/8" (123.4mm)	8-1/2" X 5-3/4" (214.6mm X 144.6mm)	1-5/8" (40mm)
Gesamttiefe	2-1/4" (56.4mm)	3-11/16" (92.7mm)	1-7/8" (47.6mm)	2-1/8" (52.6mm)	2-1/16" (52mm)	2" (50.7mm)	2-11/16" (67.3mm)	2-1/16" (52mm)	2-1/4" (56.4mm)	3-1/2" (88mm)	1-7/16" (36.1mm)
Montagetiefe	1-13/16" (44.6mm)	3-1/8" (77.8mm)	1-7/16" (35.7mm)	1-7/8" (46.8mm)	1-13/16" (45mm)	1-3/4" (43.9mm)	2-5/16" (58.5mm)	1-13/16" (45mm)	1-13/16" (44.6mm)	3-1/8" (77.8mm)	13/16" (20mm)

SPECIFICHE	CLUB 6520	CLUB 9630	CLUB 3020	CLUB 4020	CLUB 5020	CLUB 6420	CLUB 8620	CLUB 5000C	CLUB 6500C	CLUB 9600C	CLUB 750T
Descrizione	Diffusore Coassiale Car Auto da 160mm	Diffusore Car Auto da 6" x 9"	Diffusore Coassiale Car Auto da 87mm	Diffusore Coassiale Car Auto da 100mm	Diffusore Coassiale Car Auto da 130mm	Diffusore Coassiale Car Auto (4" x 6")	Diffusore Coassiale Car Auto (6" x 8")	Componenti di componenti da 130mm	Componenti di componenti da 160mm	Componenti di componenti da 152mm x 229mm	Tweeter da 19mm
Tendenza in potenza continua	50W	80W	20W	30W	40W	30W	55W	55W	60W	90W	45W
Tendenza in potenza, picco	150W	240W	60W	90W	120W	105W	165W	165W	180W	270W	135W
Risposta in frequenza	55Hz-20kHz	50Hz-20kHz	90Hz-20kHz	75Hz-20kHz	75Hz-20kHz	75Hz-20kHz	65Hz-20kHz	70Hz-20kHz	55Hz-20kHz	50Hz-20kHz	3kHz-20kHz
Nominale impedansa	3.0ohms	3.0ohms	3.0ohms	3.0ohms	3.0ohms	3.0ohms	3.0ohms	3.0ohms	3.0ohms	3.0ohms	3.0ohms
Sensibilità (2.83 V/1m)	92dB	93dB	89dB	90dB	91dB	91dB	93dB	93dB	93dB	93dB	92dB
Diametro esterno	6-1/4" (158mm)	9-5/16" X 6-7/16" (236.5mm X 163mm)	3-7/16" (87mm)	4-1/16" (102.4mm)	5-1/8" (129mm)	6-3/16" X 3-3/8" (157mm X 99.5mm)	8-1/16" X 5-5/8" (220mm X 142.2mm)	5-1/8" (129mm)	6-1/4" (158mm)	9-5/16" X 6-7/16" (236.5mm X 163mm)	2-1/4" (56mm)
Diametro foro per montaggio	4-7/8" (123.4mm)	8-1/2" X 5-3/4" (214.6mm X 144.6mm)	3" (75.5mm)	3-11/16" (92.1mm)	4-1/2" (113.6mm)	5-9/16" X 3-3/8" (140.4mm X 85.1mm)	7-1/4" X 5" (182.6mm X 125.6mm)	4-1/2" (113.6mm)	4-7/8" (123.4mm)	8-1/2" X 5-3/4" (214.6mm X 144.6mm)	1-5/8" (40mm)
Profondità totale	2-1/4" (56.4mm)	3-11/16" (92.7mm)	1-7/8" (47.6mm)	2-1/8" (52.6mm)	2-1/16" (52mm)	2" (50.7mm)	2-11/16" (67.3mm)	2-1/16" (52mm)	2-1/4" (56.4mm)	3-1/2" (88mm)	1-7/16" (36.1mm)
Profondità di montaggio	1-13/16" (44.6mm)	3-1/8" (77.8mm)	1-7/16" (35.7mm)	1-7/8" (46.8mm)	1-13/16" (45mm)	1-3/4" (43.9mm)	2-5/16" (58.5mm)	1-13/16" (45mm)	1-13/16" (44.6mm)	3-1/8" (77.8mm)	13/16" (20mm)

TEKNISSET TIEDOT	CLUB 6520	CLUB 9630	CLUB 3020	CLUB 4020	CLUB 5020	CLUB 6420	CLUB 8620	CLUB 5000C	CLUB 6500C	CLUB 9600C	CLUB 750T
Typpi	6-1/2" (160mm) koaksiaalinen auto-kaiutin	6" x 9" kolmeväkijärjestelmä	3-1/2" (87mm) koaksiaalinen auto-kaiutin	4" (100mm) koaksiaalinen auto-kaiutin	5-1/4" (130mm) koaksiaalinen auto-kaiutin	4" x 6" koaksiaalinen auto-kaiutin	6" x 8" koaksiaalinen auto-kaiutin	5-1/4" (130mm) komponentti-kaiutinjärjestelmä	6-1/2" (160mm) komponentti-kaiutinjärjestelmä	6" x 9" komponentti-kaiutinjärjestelmä	3/4" (19mm) komponentti-diskantti
Tehonkesto jatkuva	50W	80W	20W	30W	40W	30W	55W	55W	60W	90W	45W
Tehonkesto huippu	150W	240W	60W	90W	120W	105W	165W	165W	180W	270W	135W
Tajuusaste	55Hz-20kHz	50Hz-20kHz	90Hz-20kHz	75Hz-20kHz	75Hz-20kHz	75Hz-20kHz	65Hz-20kHz	70Hz-20kHz	55Hz-20kHz	50Hz-20kHz	3kHz-20kHz
Nimellimpedanssi	3.0ohms	3.0ohms	3.0ohms	3.0ohms	3.0ohms	3.0ohms	3.0ohms	3.0ohms	3.0ohms	3.0ohms	3.0ohms
Herkyys (2.83 V/1m)	92dB	93dB	89dB	90dB	91dB	91dB	93dB	93dB	93dB	93dB	92dB
Ulkonnen halkaisija	6-1/4" (158mm)	9-5/16" X 6-7/16" (236.5mm X 163mm)	3-7/16" (87mm)	4-1/16" (102.4mm)	5-1/8" (129mm)	6-3/16" X 3-3/8" (157mm X 99.5mm)	8-1/16" X 5-5/8" (220mm X 142.2mm)	5-1/8" (129mm)	6-1/4" (158mm)	9-5/16" X 6-7/16" (236.5mm X 163mm)	2-1/4" (56mm)
Asennusaukon halkaisija	4-7/8" (123.4mm)	8-1/2" X 5-3/4" (214.6mm X 144.6mm)	3" (75.5mm)	3-11/16" (92.1mm)	4-1/2" (113.6mm)	5-9/16" X 3-3/8" (140.4mm X 85.1mm)	7-1/4" X 5" (182.6mm X 125.6mm)	4-1/2" (113.6mm)	4-7/8" (123.4mm)	8-1/2" X 5-3/4" (214.6mm X 144.6mm)	1-5/8" (40mm)
Kokonaisyvyys	2-1/4" (56.4mm)	3-11/16" (92.7mm)	1-7/8" (47.6mm)	2-1/8" (52.6mm)	2-1/16" (52mm)	2" (50.7mm)	2-11/16" (67.3mm)	2-1/16" (52mm)	2-1/4" (56.4mm)	3-1/2" (88mm)	1-7/16" (36.1mm)
Monting depth	1-13/16" (44.6mm)	3-1/8" (77.8mm)	1-7/16" (35.7mm)	1-7/8" (46.8mm)	1-13/16" (45mm)	1-3/4" (43.9mm)	2-5/16" (58.5mm)	1-13/16" (45mm)	1-13/16" (44.6mm)	3-1/8" (77.8mm)	13/16" (20mm)

ESPECIFICACIONES	CLUB 6520	CLUB 9630	CLUB 3020	CLUB 4020	CLUB 5020	CLUB 6420	CLUB 8620	CLUB 5000C	CLUB 6500C	CLUB 9600C	CLUB 750T
Typo	Altavoz para automóvil coaxial de 6-1/2" (160 mm)	Altavoz para automóvil de tres vías de 6" x 9"	Altavoz para automóvil coaxial de 3-1/2" (87 mm)	Altavoz para automóvil coaxial de 4" (100 mm)	Altavoz para automóvil coaxial de 5-1/4" (130 mm)	Altavoz para automóvil coaxial de 4" x 6"	Altavoz para automóvil coaxial de 6" x 8"	Sistema de altavoces de componentes de 5-1/4" (130 mm)	Sistema de altavoces de componentes de 6-1/2" (160 mm)	Altavoz para automóvil coaxial de 6" x 9"	Altavoz de agudos de componentes 3/4" (19 mm)
Gestión de potencia máxima continua	50W	80W	20W	30W	40W	35W	55W	55W	60W	90W	45W
Gestión de potencia pico	150W	240W	60W	90W	120W	105W	165W	165W	180W	270W	135W
Intervalo de frecuencias	55Hz-20kHz	50Hz-20kHz	90Hz-20kHz	75Hz-20kHz	75Hz-20kHz	75Hz-20kHz	65Hz-20kHz	70Hz-20kHz	55Hz-20kHz	50Hz-20kHz	3kHz-20kHz
Impedancia nominal	3.0ohms	3.0ohms	3.0ohms	3.0ohms	3.0ohms	3.0ohms	3.0ohms	3.0ohms	3.0ohms	3.0ohms	3.0ohms
Sensibilidad (2.83V/1m)	92dB	93dB	89dB	90dB	91dB	91dB	93dB	93dB	93dB	93dB	92dB
Díametro externo	6-1										

ТЕХНИЧЕСКИЕ ХАРАКТЕРИСТИКИ	CLUB 6520		CLUB 9630		CLUB 3020		CLUB 4020		CLUB 5020		CLUB 6420		CLUB 8620		CLUB 5000C		CLUB 6500C		CLUB 9600C		CLUB 750T	
	Космический автомобильный динамик размерами 160 мм (6 1/2 дюйма)		Трехполосный автомобильный динамик размерами 87 мм (3 1/2 дюйма)		Космический автомобильный динамик размерами 87 мм (3 1/2 дюйма)		Космический автомобильный динамик размерами 100 мм (4 дюйма)		Космический автомобильный динамик размерами 120 мм (4 3/4 дюйма)		Космический автомобильный динамик размерами 130 мм (5 1/4 дюйма)		Космический автомобильный динамик размерами 130 мм (5 1/4 дюйма)		Космический автомобильный динамик размерами 130 мм (5 1/4 дюйма)		Космический автомобильный динамик размерами 150 мм (5 9/16 дюйма)		Космический автомобильный динамик размерами 150 мм (5 9/16 дюйма)		Космический автомобильный динамик размерами 150 мм (5 9/16 дюйма)	
Постоянная мощность	50W	80W	20W	30W	40W	35W	55W	55W	60W	90W	45W											
Пиковая мощность	150W	240W	60W	90W	120W	105W	165W	165W	180W	270W	135W											
Эффективный рабочий диапазон частот	55Hz-20kHz	50Hz-20kHz	90Hz - 20kHz	75Hz - 20kHz	75Hz - 20kHz	75Hz-20kHz	65Hz - 20kHz	70Hz-20kHz	55Hz - 20kHz	3kHz - 20kHz												
Номинальный импеданс	3.0ohms	3.0ohms	3.0ohms	3.0ohms	3.0ohms	3.0ohms	3.0ohms	3.0ohms	3.0ohms	3.0ohms												
Чувствительность (2.83 В/1м)	92dB	93dB	89dB	90dB	91dB	91dB	93dB	93dB	93dB	92dB												
Внешний диаметр	6-1/4" (158mm)	9-5/16" X 6-7/16" (236.5mm X 163mm)	3-7/16" (87mm)	4-1/16" (102.4mm)	5-1/8" (129mm)	6-3/16" X 3-15/16" (157mm X 99.5mm)	8-1/16" X 5-5/8" (220mm X 142.2mm)	5-1/8" (129mm)	6-1/4" (158mm)	9-5/16" X 6-7/16" (236.5mm X 163mm)	2-1/4" (56mm)											
Диаметр выемки для установки	4-7/8" (123.4mm)	8-1/2" X 5-3/4" (214.6mm X 144.6mm)	3" (75.5mm)	3-11/16" (82.1mm)	4-1/2" (113.6mm)	5-9/16" X 3-3/8" (140.4mm X 85.1mm)	7-1/4" X 5" (182.6mm X 125.6mm)	4-1/2" (113.6mm)	4-7/8" (123.4mm)	8-1/2" X 5-3/4" (214.6mm X 144.6mm)	1-5/8" (40mm)											
Общая глубина	2-1/4" (56.4mm)	3-11/16" (82.7mm)	1-7/8" (47.6mm)	2-1/8" (52.6mm)	2-1/16" (52mm)	2" (50.7mm)	2-11/16" (67.3mm)	2-1/16" (52mm)	2-1/4" (56.4mm)	3-1/2" (88mm)	1-7/16" (36.1mm)											
Глубина установки	1-13/16" (44.6mm)	3-1/8" (77.8mm)	1-7/16" (35.7mm)	1-7/8" (46.8mm)	1-13/16" (45mm)	1-3/4" (43.9mm)	2-5/16" (58.5mm)	1-13/16" (45mm)	1-13/16" (44.6mm)	3-1/8" (77.8mm)	13/16" (20mm)											

仕様書	CLUB 6520	CLUB 9630	CLUB 3020	CLUB 4020	CLUB 5020	CLUB 6420	CLUB 8620	CLUB 5000C	CLUB 6500C	CLUB 9600C	CLUB 750T
型	6-1/2インチ(160mm)同軸カースピーカー	6インチ×6インチ×3/4インチ(152mm×152mm×91.5mm)同軸カースピーカー	3-1/2インチ(87mm)同軸カースピーカー	4インチ(100mm)同軸カースピーカー	5-1/4インチ(130mm)同軸カースピーカー	6インチ×6インチ同軸カースピーカー	8インチ×5-5/8インチ同軸カースピーカー	5-1/4インチ(130mm)コンポーネントシステム	6-1/2インチ(160mm)コンポーネントシステム	6インチ×6インチ×3/4インチ同軸カースピーカー	3/4インチ(19mm)コンポーネントツイーター
連続許容入力	50W	80W	20W	30W	40W	35W	55W	55W	60W	90W	45W
ピーク許容入力	150W	240W	60W	90W	120W	105W	165W	165W	180W	270W	135W
周波数特性	55Hz-20kHz	50Hz-20kHz	90Hz - 20kHz	75Hz - 20kHz	75Hz - 20kHz	75Hz-20kHz	65Hz - 20kHz	70Hz-20kHz	55Hz - 20kHz	3kHz - 20kHz	
公称インピーダンス	3.0ohms	3.0ohms	3.0ohms	3.0ohms	3.0ohms	3.0ohms	3.0ohms	3.0ohms	3.0ohms	3.0ohms	
感度(2.83V/1m)	92dB	93dB	89dB	90dB	91dB	91dB	93dB	93dB	93dB	92dB	
外部直径	6-1/4" (158mm)	9-5/16" X 6-7/16" (236.5mm X 163mm)	3-7/16" (87mm)	4-1/16" (102.4mm)	5-1/8" (129mm)	6-3/16" X 3-15/16" (157mm X 99.5mm)	8-1/16" X 5-5/8" (220mm X 142.2mm)	5-1/8" (129mm)	6-1/4" (158mm)	9-5/16" X 6-7/16" (236.5mm X 163mm)	2-1/4" (56mm)
取り付けカットアウト直径	4-7/8" (123.4mm)	8-1/2" X 5-3/4" (214.6mm X 144.6mm)	3" (75.5mm)	3-11/16" (82.1mm)	4-1/2" (113.6mm)	5-9/16" X 3-3/8" (140.4mm X 85.1mm)	7-1/4" X 5" (182.6mm X 125.6mm)	4-1/2" (113.6mm)	4-7/8" (123.4mm)	8-1/2" X 5-3/4" (214.6mm X 144.6mm)	1-5/8" (40mm)
トータル寸法	2-1/4" (56.4mm)	3-11/16" (82.7mm)	1-7/8" (47.6mm)	2-1/8" (52.6mm)	2-1/16" (52mm)	2" (50.7mm)	2-11/16" (67.3mm)	2-1/16" (52mm)	2-1/4" (56.4mm)	3-1/2" (88mm)	1-7/16" (36.1mm)
埋込み寸法	1-13/16" (44.6mm)	3-1/8" (77.8mm)	1-7/16" (35.7mm)	1-7/8" (46.8mm)	1-13/16" (45mm)	1-3/4" (43.9mm)	2-5/16" (58.5mm)	1-13/16" (45mm)	1-13/16" (44.6mm)	3-1/8" (77.8mm)	13/16" (20mm)

DANE TECHNICZNE	CLUB 6520	CLUB 9630	CLUB 3020	CLUB 4020	CLUB 5020	CLUB 6420	CLUB 8620	CLUB 5000C	CLUB 6500C	CLUB 9600C	CLUB 750T
Nazwa	współosiowy głośnik samochodowy 160 mm (6-1/2")	trójosiowy głośnik samochodowy 6" x 9"	współosiowy głośnik samochodowy 87 mm (3-1/2")	współosiowy głośnik samochodowy 100 mm (4")	współosiowy głośnik samochodowy 130 mm (5-1/4")	współosiowy głośnik samochodowy 6" x 6"	współosiowy głośnik samochodowy 8" x 5-5/8"	zestaw głośników 5-1/4" (130mm)	zestaw głośników 6-1/2" (160mm)	zestaw głośników 6" x 9"	głośnik wysokotonowy 19 mm (3/4")
Moc (ciągła)	50W	80W	20W	30W	40W	35W	55W	55W	60W	90W	45W
Moc (szczytowa)	150W	240W	60W	90W	120W	105W	165W	165W	180W	270W	135W
Paźmo przeniesienia	55Hz-20kHz	50Hz-20kHz	90Hz - 20kHz	75Hz - 20kHz	75Hz - 20kHz	75Hz-20kHz	65Hz - 20kHz	70Hz-20kHz	55Hz - 20kHz	3kHz - 20kHz	
Impedancja znamionowa	3.0ohms	3.0ohms	3.0ohms	3.0ohms	3.0ohms	3.0ohms	3.0ohms	3.0ohms	3.0ohms	3.0ohms	
Wzrosteczność (przy 2.83V/1m)	92dB	93dB	89dB	90dB	91dB	91dB	93dB	93dB	93dB	92dB	
Średnica zewnętrzna	6-1/4" (158mm)	9-5/16" X 6-7/16" (236.5mm X 163mm)	3-7/16" (87mm)	4-1/16" (102.4mm)	5-1/8" (129mm)	6-3/16" X 3-15/16" (157mm X 99.5mm)	8-1/16" X 5-5/8" (220mm X 142.2mm)	5-1/8" (129mm)	6-1/4" (158mm)	9-5/16" X 6-7/16" (236.5mm X 163mm)	2-1/4" (56mm)
Średnica wgnęta do montażu	4-7/8" (123.4mm)	8-1/2" X 5-3/4" (214.6mm X 144.6mm)	3" (75.5mm)	3-11/16" (82.1mm)	4-1/2" (113.6mm)	5-9/16" X 3-3/8" (140.4mm X 85.1mm)	7-1/4" X 5" (182.6mm X 125.6mm)	4-1/2" (113.6mm)	4-7/8" (123.4mm)	8-1/2" X 5-3/4" (214.6mm X 144.6mm)	1-5/8" (40mm)
Całkowita głębokość	2-1/4" (56.4mm)	3-11/16" (82.7mm)	1-7/8" (47.6mm)	2-1/8" (52.6mm)	2-1/16" (52mm)	2" (50.7mm)	2-11/16" (67.3mm)	2-1/16" (52mm)	2-1/4" (56.4mm)	3-1/2" (88mm)	1-7/16" (36.1mm)
Głębokość montażowa	1-13/16" (44.6mm)	3-1/8" (77.8mm)	1-7/16" (35.7mm)	1-7/8" (46.8mm)	1-13/16" (45mm)	1-3/4" (43.9mm)	2-5/16" (58.5mm)	1-13/16" (45mm)	1-13/16" (44.6mm)	3-1/8" (77.8mm)	13/16" (20mm)

规格	CLUB 6520	CLUB 9630	CLUB 3020	CLUB 4020	CLUB 5020	CLUB 6420	CLUB 8620	CLUB 5000C	CLUB 6500C	CLUB 9600C	CLUB 750T
類型	6-1/2英寸(160mm)同軸汽車喇叭	6" x 9" 三路汽車喇叭	3-1/2英寸(87mm)同軸汽車喇叭	4英寸(100mm)同軸汽車喇叭	5-1/4英寸(130mm)同軸汽車喇叭	6英寸×6英寸同軸汽車喇叭	8英寸×5-5/8英寸同軸汽車喇叭	5-1/4英寸(130mm)元件喇叭系統	6-1/2英寸(160mm)元件喇叭系統	6英寸×9英寸元件喇叭系統	3/4英寸(19mm)分音器
連續功率處理	50W	80W	20W	30W	40W	35W	55W	55W	60W	90W	45W
峰值功率處理	150W	240W	60W	90W	120W	105W	165W	165W	180W	270W	135W
頻率響應	55Hz-20kHz	50Hz-20kHz	90Hz - 20kHz	75Hz - 20kHz	75Hz - 20kHz	75Hz-20kHz	65Hz - 20kHz	70Hz-20kHz	55Hz - 20kHz	3kHz - 20kHz	
標稱阻抗	3.0ohms	3.0ohms	3.0ohms	3.0ohms	3.0ohms	3.0ohms	3.0ohms	3.0ohms	3.0ohms	3.0ohms	
感度(2.83V/1m)	92dB	93dB	89dB	90dB	91dB	91dB	93dB	93dB	93dB	92dB	
外型	6-1/4" (158mm)	9-5/16" X 6-7/16" (236.5mm X 163mm)	3-7/16" (87mm)	4-1/16" (102.4mm)	5-1/8" (129mm)	6-3/16" X 3-15/16" (157mm X 99.5mm)	8-1/16" X 5-5/8" (220mm X 142.2mm)	5-1/8" (129mm)	6-1/4" (158mm)	9-5/16" X 6-7/16" (236.5mm X 163mm)	2-1/4" (56mm)
安裝開孔直徑	4-7/8" (123.4mm)	8-1/2" X 5-3/4" (214.6mm X 144.6mm)	3" (75.5mm)	3-11/16" (82.1mm)	4-1/2" (113.6mm)	5-9/16" X 3-3/8" (140.4mm X 85.1mm)	7-1/4" X 5" (182.6mm X 125.6mm)	4-1/2" (113.6mm)	4-7/8" (123.4mm)	8-1/2" X 5-3/4" (214.6mm X 144.6mm)	1-5/8" (40mm)
總深度	2-1/4" (56.4mm)	3-11/16" (82.7mm)	1-7/8" (47.6mm)	2-1/8" (52.6mm)	2-1/16" (52mm)	2" (50.7mm)	2-11/16" (67.3mm)	2-1/16" (52mm)	2-1/4" (56.4mm)	3-1/2" (88mm)	1-7/16" (36.1mm)
安裝深度	1-13/16" (44.6mm)	3-1/8" (77.8mm)	1-7/16" (35.7mm)	1-7/8" (46.8mm)	1-13/16" (45mm)	1-3/4" (43.9mm)	2-5/16" (58.5mm)	1-13/16" (45mm)	1-13/16" (44.6mm)	3-1/8" (77.8mm)	13/16" (20mm)

СПЕЦИФИКАЦИИ	CLUB 6520	CLUB 9630	CLUB 3020	CLUB 4020	CLUB 5020	CLUB 6420	CLUB 8620	CLUB 5000C	CLUB 6500C	CLUB 9600C	CLUB 750T
Тип	Спикер моби коаксиал 6-1/2" (160mm)	Спикер моби тига пилр 6" x 9"	Спикер моби коаксиал 3-1/2" (87mm)	Спикер моби коаксиал 4" (100mm)	Спикер моби коаксиал 5-1/4" (130mm)	Спикер моби коаксиал 4" x 6"	Спикер моби коаксиал 8" x 5-5/8"	Систем спикер компонент 5-1/4" (130mm)	Систем спикер компонент 6-1/2" (160mm)	Систем спикер компонент 6" x 9"	Твистер компонент 3/4" (19mm)
Penanganan daya kontinu	50W	80W	20W	30W	40W	35W	55W	55W	60W	90W	45W
Penanganan daya puncak	150W	240W	60W	90W	120W	105W	165W	165W	180W	270W	135W
Respons frekuensi	55Hz-20kHz	50Hz-20kHz	90Hz - 20kHz	75Hz - 20kHz	75Hz - 20kHz	75Hz-20kHz	65Hz - 20kHz	70Hz-20kHz	55Hz - 20kHz	3kHz - 20kHz	
Impedansi Nominal	3.0ohms	3.0ohms	3.0ohms	3.0ohms	3.0ohms	3.0ohms	3.0ohms	3.0ohms	3.0ohms	3.0ohms	
Sensitivitas (2.83V/1m)	92dB	93dB	89dB	90dB	91dB	91dB	93dB	93dB	93dB	92dB	
Diameter eksternal	6-1/4" (158mm)	9-5/16" X 6-7/16" (236.5mm X 163mm)	3-7/16" (87mm)	4-1/16" (102.4mm)	5-1/8" (129mm)	6-3/16" X 3-15/16" (157mm X 99.5mm)	8-1/16" X 5-5/8" (220mm X 142.2mm)	5-1/8" (129mm)	6-1/4" (158mm)	9-5/16" X 6-7/16" (236.5mm X 163mm)	2-1/4" (56mm)
Diameter potongan dudukan	4-7/8" (123.4mm)	8-1/2" X 5-3/4" (214.6mm X 144.6mm)	3" (75.5mm)	3-11/16" (82.1mm)	4-1/2" (113.6mm)	5-9/16" X 3-3/8" (140.4mm X 85.1mm)	7-1/4" X 5" (182.6mm X 125.6mm)	4-1/2" (113.6mm)	4-7/8" (123.4mm)	8-1/2" X 5-3/4" (214.6mm X 144.6mm)	1-5/8" (40mm)
Kedalaman total	2-1/4" (56.4mm)	3-11/16" (82.7mm)	1-7/8" (47.6mm)	2-1/8" (52.6mm)	2-1/16" (52mm)	2" (50.7mm)	2-11/16" (67.3mm)	2-1/16" (52mm)	2-1/4" (56.4mm)	3-1/2" (88mm)	1-7/16" (36.1mm)
Kedalaman dudukan	1-13/16" (44.6mm)	3-1/8" (77.8mm)	1-7/16" (35.7mm)	1-7/8" (46.8mm)	1-13/16" (45mm)	1-3/4" (43.9mm)	2-5/16" (58.5mm)	1-13/16" (45mm)	1-13/16" (44.6mm)	3-1/8" (77.8mm)	13/16" (20mm)



HARMAN International Industries, Inc.
8500 Balboa Boulevard, Northridge, CA 91329 USA

© 2016 HARMAN International Industries, Incorporated. All rights reserved.
JBL is a trademark of HARMAN International Industries, Incorporated, registered in the United States and/or other countries.

Features, specifications and appearance are subject to change without notice.

© 2016 HARMAN International Industries, Incorporated. Все права защищены.
JBL является торговой маркой Harman International Industries, Incorporated, зарегистрированной в США и/или других странах.

Функции, характеристики и внешний вид описываемых компонентов могут быть изменены без предварительного уведомления.

Торговая марка	: JBL
Назначение товара	: Автомобильная акустическая система
Изготовитель	: Харман Интернешнл Индастриз Инкорпорейтед, США, 06901 Коннектикут, г.Стэмфорд, Атлантик Стрит 400, офис 1500
Страна происхождения	: Вьетнам
Импортер в Россию	: ООО "ХАРМАН РУС СиАйЭс", РОССИЯ, 127018, г.МОСКВА, УЛ. ДВИНЦЕВ, Д.12, КОРПУС 1
Гарантийный период	: 1 год
Информация о сервисных центрах	: www.harman.com/ru тел. +7-800-700-0467
Срок службы	: 5 лет
Срок хранения	: не ограничен
Условия хранения	: Стандартные при нормальных значениях климатических факторов внешней среды
Номер документа соответствия	: Товар не подлежит обязательной сертификации
Дата производства	: Дата изготовления устройства определяется по двум буквенным обозначениям из второй группы символов серийного номера изделия, следующих после разделительного знака «-». Кодировка соответствует порядку букв латинского алфавита, начинаая с января 2010 года: 000000-MY0000000, где «М» - месяц производства (А - январь, В - февраль, С - март и т.д.) и «Y» - год производства (А - 2010, В - 2011, С - 2012 и т.д.).

SPECIFIKATIONER	CLUB 6520	CLUB 9630	CLUB 3020	CLUB 4020	CLUB 5020	CLUB 6420	CLUB 8620	CLUB 50
-----------------	-----------	-----------	-----------	-----------	-----------	-----------	-----------	---------